



**OWNER'S MANUAL  
8500 SERIES HEAD CART  
ALL MODELS**

2565-799\_E 07/2021



**Yetter Manufacturing**

Founded 1930

Colchester, IL 62326

Call: (309)776-4111

Fax: (309)776-3222

Website: [www.yetterco.com](http://www.yetterco.com)

Email: [info@yetterco.com](mailto:info@yetterco.com)

# FOREWORD

You've just joined an exclusive but rapidly growing club. For our part, we want to welcome you to the group and thank you for buying a Yetter product.

We hope your new Yetter products will help you achieve two goals: increase your productivity and increase your efficiency so that you may generate more profit.



This **SAFETY ALERT SYMBOL** indicates important safety messages in the manual. When you see this symbol, be alert to the possibility of **PERSONAL INJURY** and carefully read the message that follows.

The word **NOTE** is used to convey information that is out of context with the manual text. It contains special information such as specifications, techniques and reference information of a supplementary nature.

The word **IMPORTANT** is used in the text when immediate danger will occur to the machine due to improper technique or operation.

It is the responsibility of the user to read the owner's manual, comply with safe and correct operating procedure, and to lubricate and maintain the product according to the information listed in the owner's manual.

The user is responsible for inspecting their machine and for having parts repaired or replaced when it is damaged or worn. Continued use of a damaged or worn part can cause injury or more extensive damage to the machine.

If you have any questions regarding the information given in this manual, consult your local Yetter dealer or contact:

Yetter Manufacturing Co.  
(309)776-4111  
(800)447-5777

Website: [www.yetterco.com](http://www.yetterco.com)

Email: [info@yetterco.com](mailto:info@yetterco.com)

# WARRANTY

Yetter Manufacturing warrants all products manufactured and sold by it against defects in material. This warranty being expressly limited to replacement at the factory of such parts or products that appear to be defective after inspection. The warranty does not obligate Yetter Manufacturing to bear the cost of labor in replacement of parts. It is the policy of the Company to make improvements without incurring obligations to add them to any unit sold prior. No warranty is made, or authorized to be made, other than herein set forth. This warranty is in effect for one year after purchase.

Dealer: \_\_\_\_\_

**Yetter Manufacturing warrants its own products and cannot be held responsible for damages to equipment on which they are mounted.**

# TABLE OF CONTENTS

<b>SAFETY .....</b>	<b>4-5</b>
<b>GENERAL INFORMATION .....</b>	<b>6-8</b>
<b>BOLT TORQUE.....</b>	<b>9</b>
<b>SET-UP .....</b>	<b>10-11</b>
<b>OPERATION .....</b>	<b>12-13</b>
<b>MAINTENANCE .....</b>	<b>14</b>
<b>PART IDENTIFICATION.....</b>	<b>15-37</b>

# **SAFETY INFORMATION**

## **BE ALERT!**

### **YOUR SAFETY IS INVOLVED**

It is the responsibility of the owner, operator, or supervisor to know and instruct everyone using this machine at the time of initial assignment and at least annually thereafter, of the proper operation, precautions, and work hazard which exist in the operation of the machine in accordance with OSHA regulations.

### **SAFETY IS NO ACCIDENT**

**The following safety instructions combines with common sense will save your equipment from needless damage and the operator from unnecessary exposure to personal hazard. Pay special attention to the caution notes in the text. Review this manual each year and with new and experience operators.**



1. Read and understand the operator's manual before operating this machine. Failure to do so is considered a misuse of the equipment.
2. Make sure equipment is secure before use.
3. Always keep children away from equipment while in operation.
4. Make sure everyone that is not directly involved with the operation is clear of the work area before use.
5. Be sure all safety devices, shield, and guards are in place and functional before beginning operation
6. Shut off all power to the unit prior to adjustment, servicing, or cleaning.
7. Keep hands, feet, and clothing away from moving parts. It is a good idea to remove all jewelry before starting the operation.
8. Visually inspect the machine periodically during operation for signs of excessive vibration, loose fasteners, and unusual noises.

# **SAFETY INFORMATION**

## **During Operation**

- Regulate speed to field conditions. Maintain complete control at all times.
- Never lubricate equipment when in operation.
- Use extreme care when operating close to ditches, fences, or on hillsides.
- Do not leave towing vehicle unattended with engine running.
- Do not adjust the transporter with the head positioned over the unit.

## **Before Operation**

- Secure the transport chains to towing vehicle before transporting. DO NOT transport without the chains.
- Check for proper function of all available transport lights. Make sure that all reflectors are clean and in place on the machine.
- This implement may not be equipped with brakes. Ensure that the towing vehicle has adequate weight and braking capacity to tow this unit.
- Before transporting, secure the head with straps. Replace damaged or worn straps, and avoid putting straps over rough or sharp surfaces. Use appropriate number and capacity rating.

## **During Transport**

- Comply with state and local laws governing highway safety when moving machinery.
- Use transport lights as required by local laws to adequately warn operators of other vehicles.
- Use good judgement when transporting equipment on highways. Regulate speed to road conditions and maintain complete control.
- Slow down before making sharp turns to avoid tipping. Drive slowly over rough ground and side slopes.
- It is probable that this implement is taller, wider, and longer than the towing vehicle. Become aware of and avoid all obstacles and hazards in the travel path of the equipment such as power lines, ditches, etc.

# **GENERAL INFORMATION**

## 8500 Series Head Cart Trailers



<b>Model No.</b>	<b>Description</b>	<b>Est. Wt.</b>
8500-027	27' Head Cart	3260 lbs
8500-032	32' Head Cart	4103 lbs
8500-038	38' Head Cart	4358 lbs
8500-043	43' Head Cart	4741 lbs
8500-048	48' Head Cart	4970 lbs

### Optional Equipment

<b>Model No.</b>	<b>Description</b>	<b>Est. Wt.</b>
8500-001	Marker Pole	3 lbs
8500-144	Ball Hitch 2-5/16"	10 lbs
8500-166	Drop Pin Hitch	14 lbs
8500-150	Spare Tire Carrier	5 lbs
8500-151	2" Lift Kit (only for use with tall tires)	26 lbs
8500-228	Lower Head Rest "short"-- 4" shorter than stock	22 lbs
8500-232	Lower Head Rest "tall"—4" taller than stock	37 lbs

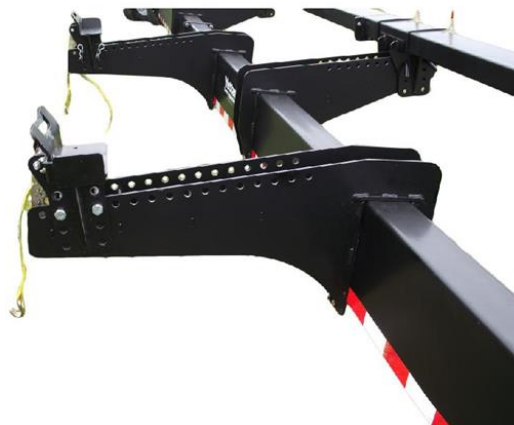
### Service Kits

<b>Model No.</b>	<b>Description</b>	<b>Est. Wt.</b>
8500-120	Rear Bearing and Drum Replacement Kit (1 Per Wheel)	40 lbs
8500-121	Lugnut and Stud Replacement Kit (1 Per Wheel)	4 lbs
8500-122	Front and Rear Bearing Replacement Kit (1 Per Wheel)	7 lbs
8500-123	Brake Replacement Kit (1 Per Axle)	10 lbs
8500-124	Front Bearing and Hub Replacement Kit (1 Per Wheel)	26 lbs

## GENERAL INFORMATION

### 8500 Series Head Cart Trailers

- Central beam design with adjustable truss supports
- Spare cutter bar storage
- Dual 12" rest brackets to fit any header platform with tool-less adjustments
- Drum brakes on rear axle(s)
- Front and rear torsion axles providing a smooth ride
- Molded front fenders protecting head and truck from road debris
- Tongue rotates around to main beam for easy winter storage and shipment
- 24" of telescoping hitch adjustment
- Dual safety chains with standard clevis hitch. Options for drop-pin and ball hitch attachments
- LED lights and seven pin bladed receptacle for standard towing vehicles
- Full length DOT reflective tape
- Tool box – 17 ¾" x 8" x 7"
- Full width rear light support brackets
- Durable black powder coat finish
- Made in the USA, manufactured and shipped from Macomb, IL

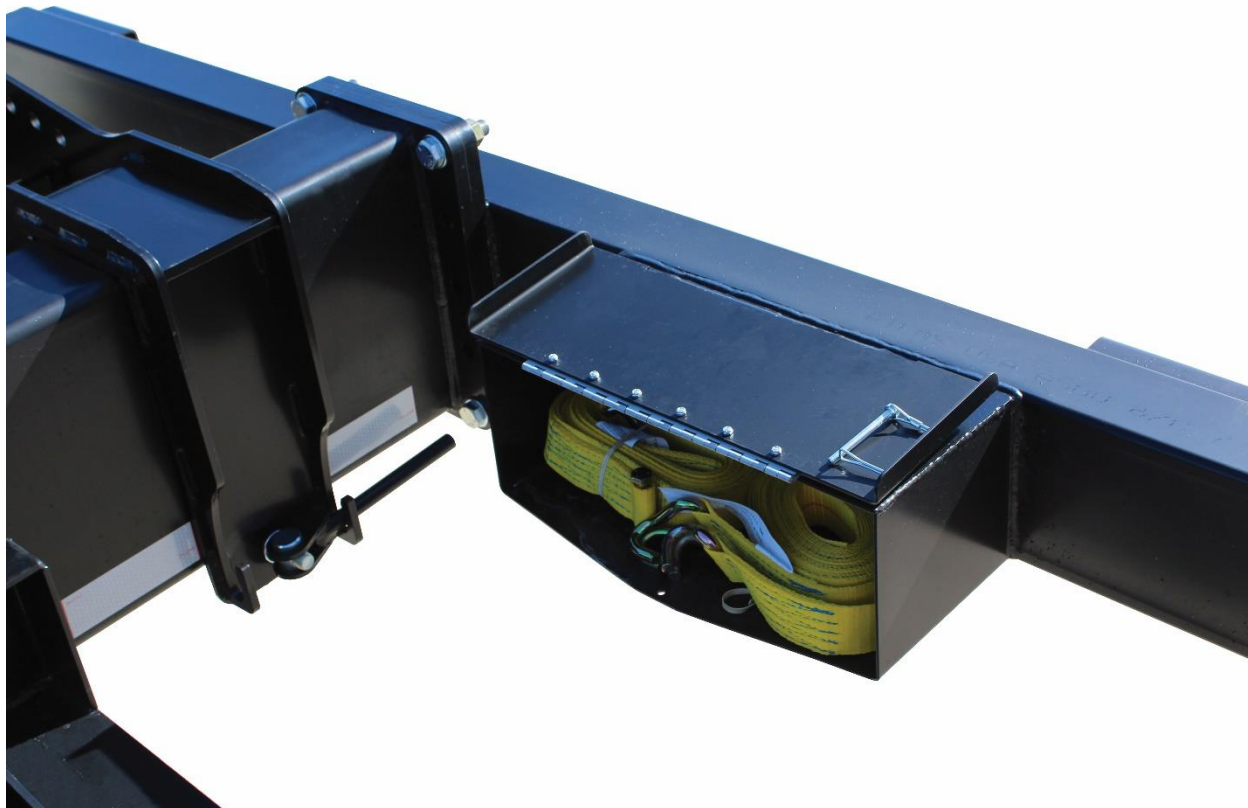


# GENERAL INFORMATION

## 8500 Series Head Cart Trailers

### Technical Specifications

	8500-027	8500-032	8500-038	8500-043	8500-048
<b>Overall Length (in)</b>	429	489	561	621	681
<b>Overall Width (in)</b>	102	102	102	102	102
<b>Overall Height (in)</b>	44	44	44	44	44
<b>Unloaded Weight (lb)</b>	3260	4103	4391	4741	4970
<b>Max Gross Weight (lb)</b>	12000	18000	18000	18000	18000
<b>Max Usable Weight (lb)</b>	8740	13897	13609	13259	13030
<b>Max Drawbar Pull (lb)</b>	17600	17600	17600	17600	17600
<b>Chassis Style</b>	Single Beam	Single Beam	Single Beam	Single Beam	Single Beam
<b>Axle Configuration</b>	Single	Tandem	Tandem	Tandem	Tandem
<b>Axle Stud Pattern</b>	8 x 6.5" BC	8 x 6.5" BC	8 x 6.5" BC	8 x 6.5" BC	8 x 6.5" BC
<b>Tire Size</b>	8-14.5 LT 14 PLY	8-14.5 LT 14 PLY	8-14.5 LT 14 PLY	8-14.5 LT 14 PLY	8-14.5 LT 14 PLY
<b>Max Tire PSI</b>	65	65	65	65	65
<b>Electric Brakes</b>	Standard	Standard	Standard	Standard	Standard
<b>Over Run Brakes</b>	Standard	Standard	Standard	Standard	Standard
<b>Cutter Bar Storage</b>	Standard	Standard	Standard	Standard	Standard
<b>Lights</b>	Standard	Standard	Standard	Standard	Standard
<b>Front Fenders</b>	Standard	Standard	Standard	Standard	Standard
<b>Accessory Box</b>	Standard	Standard	Standard	Standard	Standard
<b>License Plate Lights</b>	Wire Leads Only	Wire Leads Only	Wire Leads Only	Wire Leads Only	Wire Leads Only
<b>Rear Fenders</b>	Optional	Optional	Optional	Optional	Optional
<b>Marker Pole Kit</b>	Optional	Optional	Optional	Optional	Optional
<b>Spare Tire Carrier</b>	Optional	Optional	Optional	Optional	Optional





# BOLT TORQUE

**Important:** Over tightening hardware can cause as much damage as under tightening. Tightening hardware beyond the recommended range can reduce its shock load capacity.

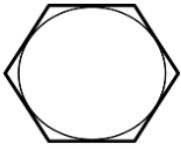



All hardware used on the 8500 Series Head Cart is Grade 5 unless otherwise specified. If hardware must be replaced, be sure to replace it with hardware of equal size, strength, and thread type.

The chart below is a guide for proper torque. Use it unless a specified torque value is given elsewhere in the manual.

Torque is the force you apply to the wrench handle times the length of the handle.

## Use a torque wrench wherever possible

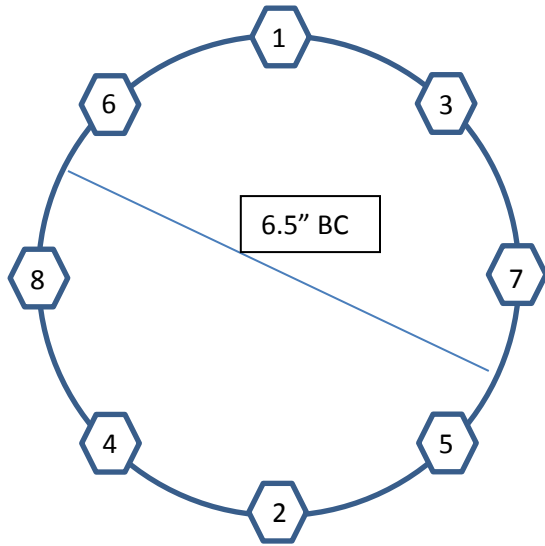
The following table shows torque in ft-lbs for coarse thread hardware.

Bolt Diameter and Threads per Inch	 Grade 2	 Grade 5	 A-325	 Grade 8
Units	ft-lbs	ft-lbs		ft-lbs
1/4	6	10		14
5/16	12	20		30
3/8 – 16	25	35		50
7/16 – 14	35	55		80
1/2 – 13	55	85		125
9/16 – 12	75	125		175
5/8 – 11	105	170		235
3/4-10	185	305		425
7/8 – 9	170	445		690
1-8	260	670		1030
1 1/8 – 7	365	900		1460
1 1/4 - 7	515	1275		2060
1 3/8 – 6	675	1675		2700
1 1/2 - 6	900	2150		3500
1 3/4 – 5	1410	3500		5600

# SET UP INSTRUCTIONS

## Tires and Wheels

1. Using a safe lifting device and jack stands rated at a minimum of 2500 lbs, raise the frame at least 16 ½" high
2. Install wheels and tires onto the axles and secure with provided lug nuts. Refer to the table below for torque sequence and value.
  - Start all lug nuts by hand to prevent cross threading
  - Tighten nuts in the sequence shown below
  - Lug nuts should be torqued before first road use and after each wheel removal. Check and re-torque after the first 50 miles. A periodic check during regular service is recommended.



Wheel Size	Stud Size	1 <sup>st</sup> Stage	2 <sup>nd</sup> Stage	3 <sup>rd</sup> Stage
14.5 X 7	9/16"	25 lb-ft	70 lb-ft	130 lb-ft

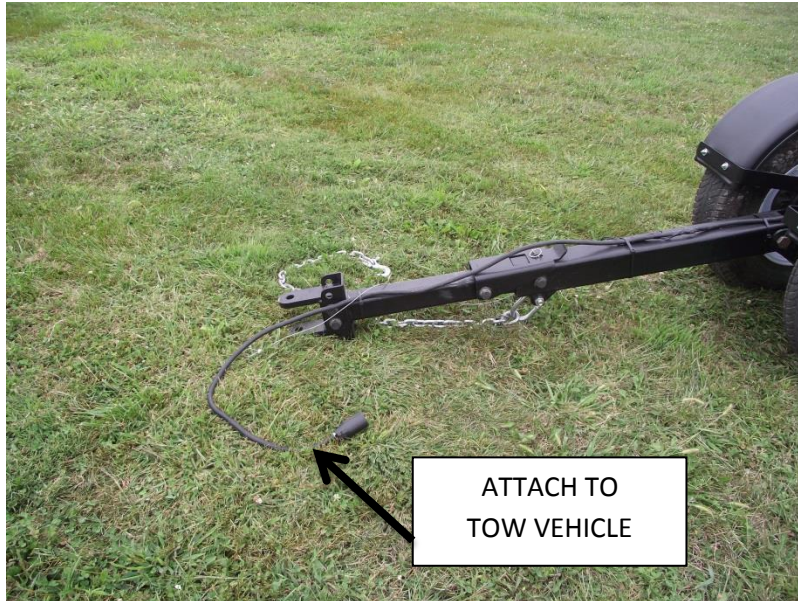
# SET UP INSTRUCTIONS

## Test Lights

Make sure no wires are pinched or cut during installation.

Keep all wires concealed to prevent them from getting caught on obstructions.

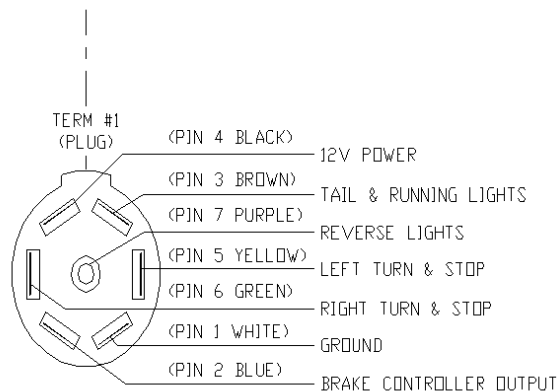
Attach 8500 Head Cart and wiring harness to tow vehicle to test the lights.



### Check the following:

- Tail lights
- Brake lights
- Left and right turn signals with and without brakes applied

**Note: If any of the light tests fail, check wiring harness on tow vehicle for proper wiring.**



WIRE HARNESS 8500-381 PIN LAYOUT

# OPERATION

## Hitching

1. Position towing vehicle in front of header transport. Lift tongue latch handle and extended inner tongue extension enough to attach to vehicle drawbar using a  $\frac{3}{4}$ " minimum diameter hitch pin and lock in place. Back-up towing vehicle to re-latch tongue.
2. Cross transport chains and connect to towing vehicle.

**Note:** Before hitching the header transport to any vehicle drawbar, be sure the pin hole is located close enough to the rear of the vehicle drawbar to allow the header transport tongue clevis to swing 90 degrees right or left of the centerline without interference.

**Note:** When hitching, be sure not to pinch wire harness. Position the wire harness away from all pinch points and any areas that may wear the harness.



**CAUTION: BE SURE TRANSPORT TONGUE IS LATCHED BEFORE TRANSPORTING, OTHERWISE JARRING COULD OCCUR WHEN STOPPING UNIT, CAUSING A SUDDEN SHIFT OF LOAD.**



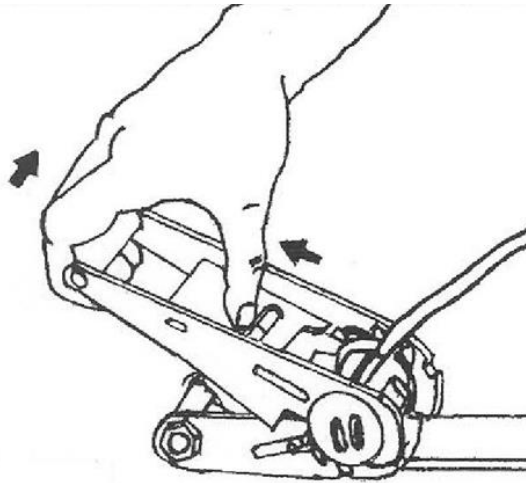
**CAUTION: ALWAYS USE TRANSPORT CHAINS WHEN TRANSPORTING IMPLEMENTS. FAILURE TO USE TRANSPORT CHAIN COULD CAUSE PERSONAL INJURY OR DAMAGE IF IMPLEMENT BECOMES DISENGAGED.**

# OPERATION

## Tie-Down Brackets

- The tie down brackets consist of two heavy duty strap assemblies which secure current design headers to the transport. For proper installation follow steps as shown.

1. Loosen strap by pulling up ratchet handle and lock in open position



**CAUTION: BE SURE RATCHES, WEBBINGS, AND HOOKS ARE IN PROPER WORKING CONDITION SO THAT DAMAGE DOES NOT OCCUR DUE TO LOSS OF HEADER FROM TRANSPORT**

**Note:** Before tightening, be sure header is resting against backstops on lower rest brackets.

**Note:** Be sure tie down bracket assemblies are secured to transport directly below the section on the header that the tie down hook is being attached to. **DO NOT ATTACH BRACKET AND PULL STRAP AT AN ANGLE TO THE BRACKET TO SECURE.** Doing so could result in unnecessary stress and wear to tie down webbing.

2. Slide tie down bracket across lower rest tube and secure in appropriate location under header by inserting carriage bolt, flat washer and knob. Tighten into position by turning knob clockwise.

**Note:** It is recommended that the tie downs be secured to a main bar or sufficient bar/tube on the combine head that is rigid enough to support total weight of header. Failure to do so could result in damage to the combine header.



**CAUTION: BE SURE ALL SHARP EDGES ARE REMOVED SO THAT WEBBING DOES NOT BECOME CUT OR FRAYED.**

# MAINTENANCE

## Bearings

- Every 12,000 miles or once a year, repack wheel bearings with grease
  - Inspect bearings for signs of wear such as discoloration of rollers, spalling, pits, or metal flakes. Rollers and race should look shiny and new if in good condition. If any of these signs are found, replace bearings immediately.

## Brakes

- Every 12,000 miles or once a year, inspect brake shoes for wear. Be sure to replace brake shoes before friction material wears away entirely. Failure to do so can cause damage to the brake drum.

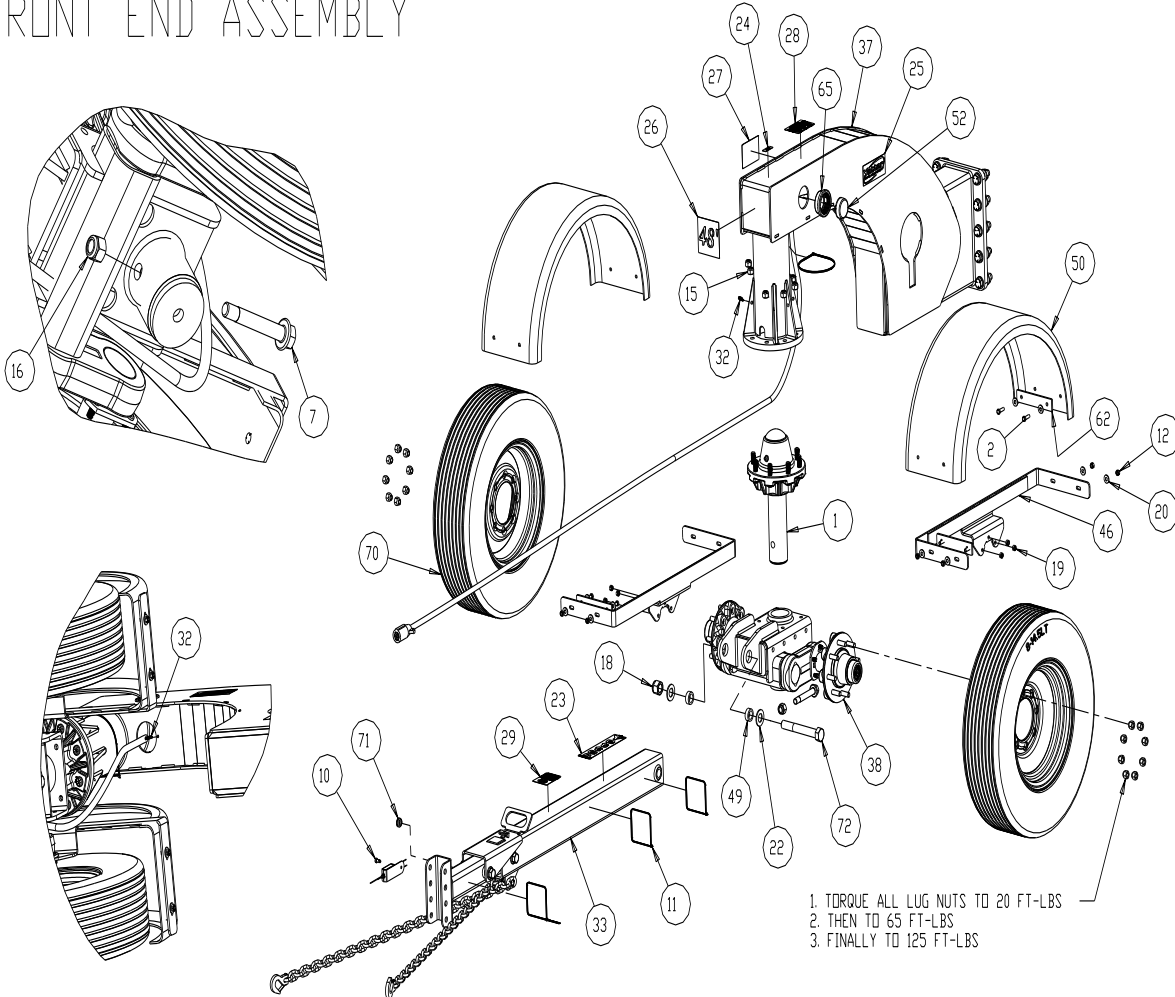
## Service Kits

For a visual part breakdown, go to the page listed.

<b>Model No.</b>	<b>Description</b>	<b>Page</b>
8500-120	Rear Bearing and Drum Replacement Kit (1 Per Wheel)	30
8500-121	Lugnut and Stud Replacement Kit (1 Per Wheel)	31
8500-122	Front and Rear Bearing Replacement Kit (1 Per Wheel)	32
8500-123	Brake Replacement Kit (1 Per Axle)	33
8500-124	Front Bearing and Hub Replacement Kit (1 Per Wheel)	34

# PART IDENTIFICATION

## FRONT END ASSEMBLY

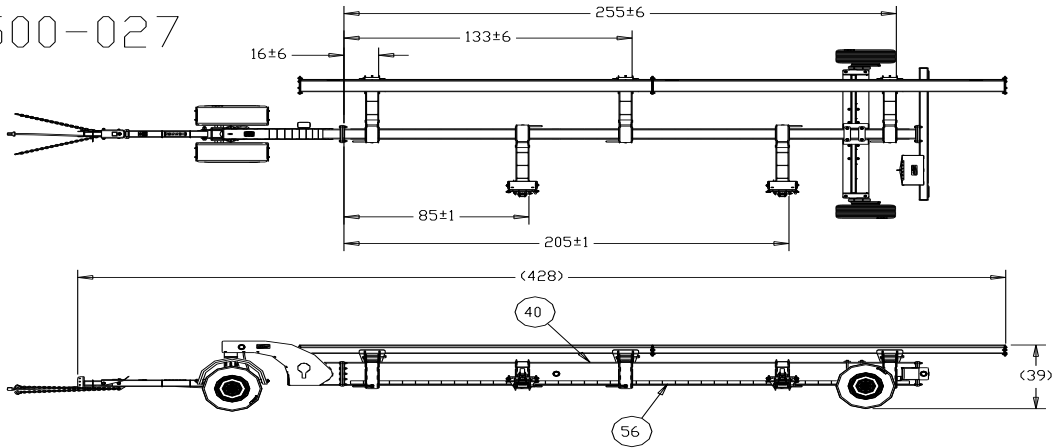


ITEM	PART#	DESCRIPTION	QUANTITY; P/N				
			27'	32'	38'	43'	48'
1	2000-157	75-8 HUB ASSEMBLY	1	1	1	1	1
2	2502-244	3/8-16 X 1-1/4 HHCS GR 5 ZP	8	8	8	8	8
7	2502-425	3/4-10 X 5 HHFS GR8 ZP	1	1	1	1	1
10	2513-509	5/16-18X3/4TYP 23HHSTWHS ZP	1	1	1	1	1
11	2515-556	CABLE TIE, .35 X 36", BLACK (21598)	4	4	4	4	4
12	2520-255	3/8-16 LOCK HEX NUT, GR A ZP	8	8	8	8	8
15	2520-370	WHEEL NUT #N913557	8	8	8	8	8
16	2520-516	3/4-10NYLON INSERT LCKNT, GR 2, ZP	1	1	1	1	1
18	2520-563	1-8 NYLON LOCK NUT GR C, ZP	1	1	1	1	1
19	2520-600	3/8-24 LOCK HEX NUT, GR C, ZP	6	6	6	6	6
20	2526-251	3/8 STANDARD FLATWASHER ZP	16	16	16	16	16
22	2526-542	1" SAE FLAT WASHER ZP	2	2	2	2	2
23	2565-366	AVENGER COULTER DECAL	1	1	1	1	1
24	2565-466	SERIAL NUMBER DECAL	1	1	1	1	1
25	2565-822	YETTER DECAL	5	5	5	5	5
26	-	SIZE DECAL, XX'	1; 2565-828	1; 2565-827	1; 2565-826	1; 2565-825	1; 2565-823
27	2565-829	MADE IN U.S.A. DECAL	1	1	1	1	1
28	2565-830	TORQUE CHECK DECAL	1	1	1	1	1
29	2565-831	HARNESS CONNECTION DECAL	1	1	1	1	1
32	2940-577	11.5" BLACK CABLE TIE NYLON 40LB, INDIVIDUAL	10	18	18	18	18
33	8500-100	EXTENDABLE TONGUE ASSEMBLY	1	1	1	1	1
37	8500-200	GOOSENECK W.A.	1	1	1	1	1
38	8500-203	6500LB AXLE W.A.	1	1	1	1	1
46	8500-226	FENDER MOUNT BRACKET W.A.	2	2	2	2	2
49	8500-335	BUSHING	2	2	2	2	2
50	8500-337-D	FENDER	2	2	2	2	2
52	8500-370	AMBER MARKER LIGH	4	4	4	4	4
62	8500-384	CLAMP PLATE, INNER FENDER	4	4	4	4	4
65	8500-387	2.5 IN GROMMET	6	6	6	6	6
70	8500-411	TIRE AND WHEEL ASSEMBLY; 8-14.5 14 PLY LOAD G	4	6	6	6	6
71	8500-416	.5 ID, .25 MATERIAL THICKNESS, .813 PILOT GROMMET	1	1	1	1	1
72	2502-766	1-8 X 7-1/2 HHCS GR 8 ZP	1	1	1	1	1

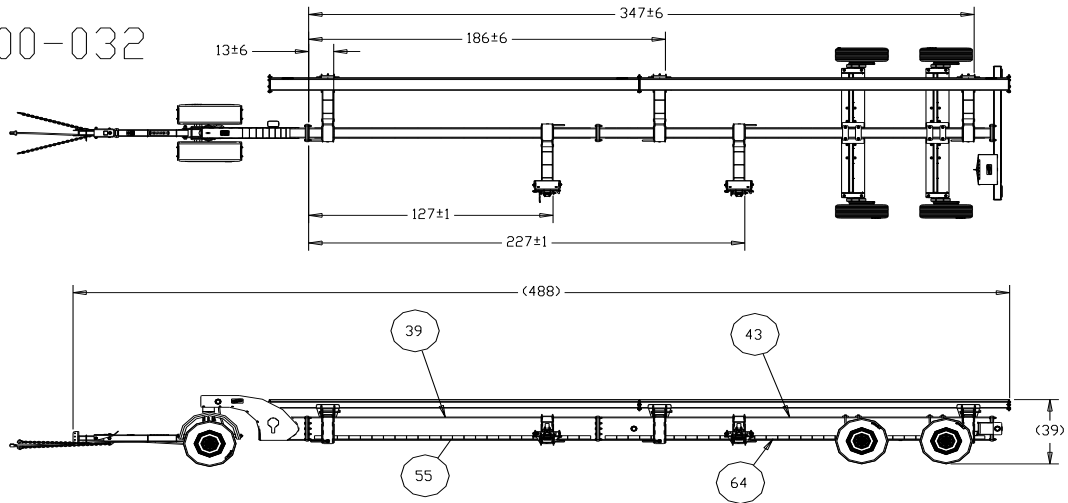
use 8500-048 front end image for balloons

# PART IDENTIFICATION

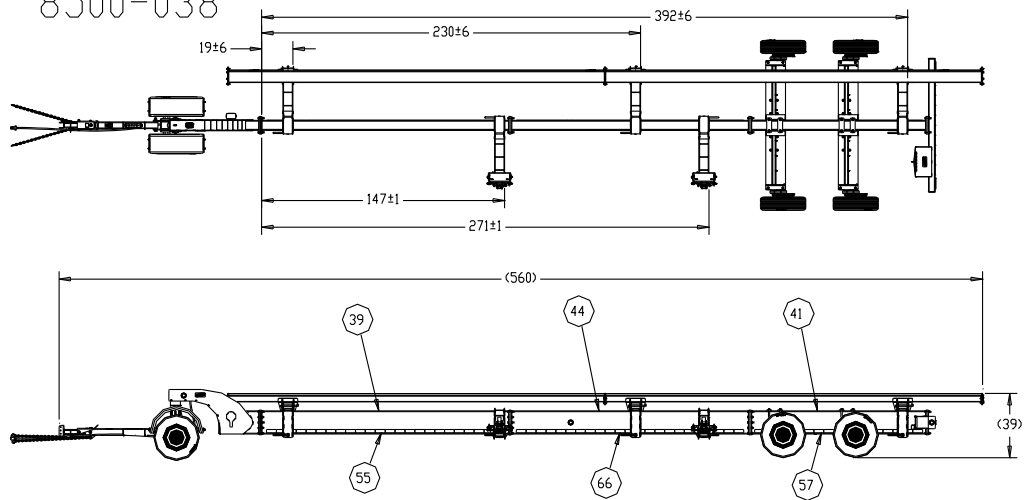
8500-027



8500-032

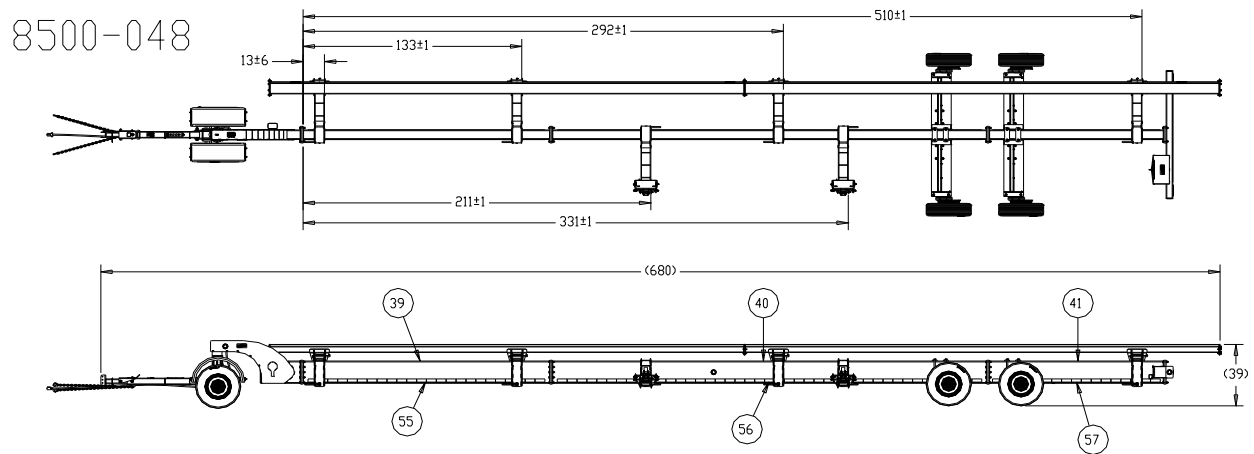
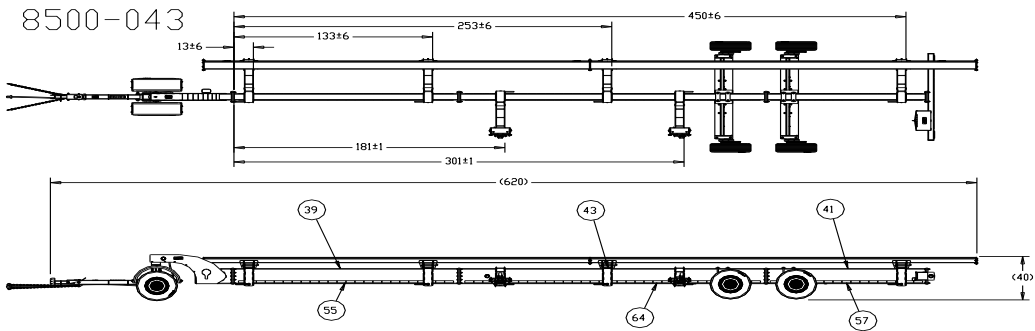


8500-038



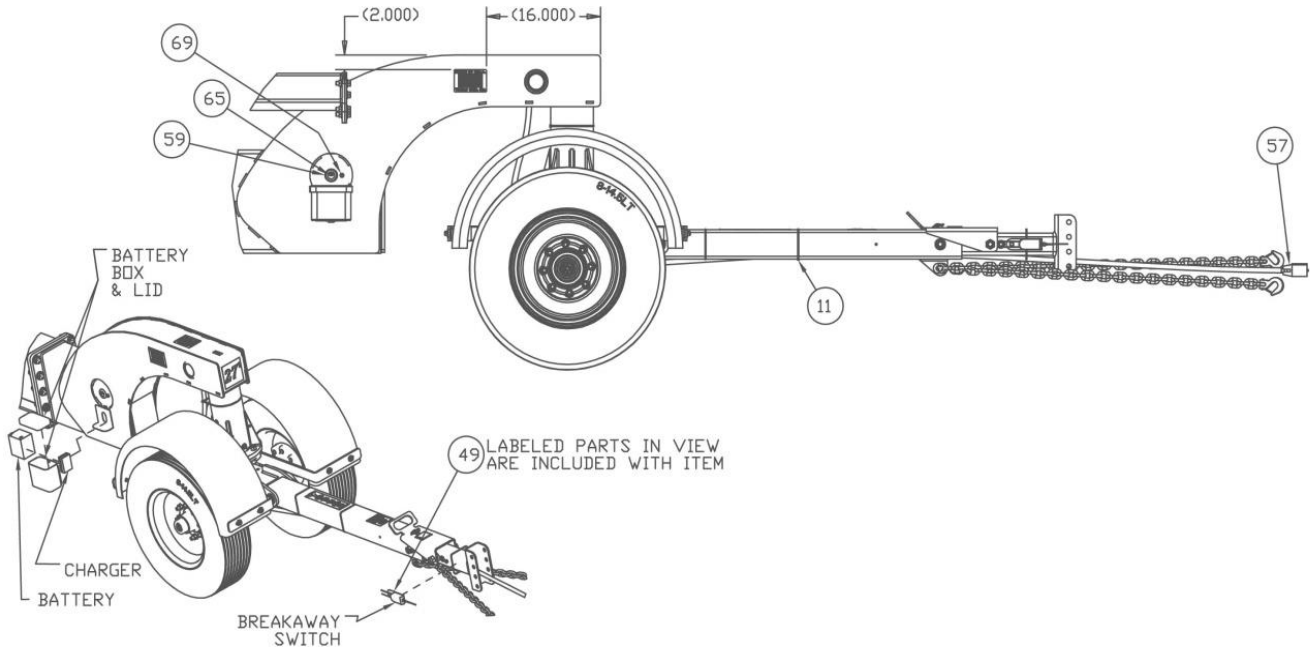


# PART IDENTIFICATION



ITEM	PART#	DESCRIPTION	QUANTITY				
			27'	32'	38'	43'	48'
39	8500-207	MAIN TUBE FRONT SECTION W.A	-	1	1	1	1
40	8500-208	MAIN 22FT SECTION W.A.	1	-	-	-	1
41	8500-209	TAIL END W.A.	-	-	1	1	1
43	8500-218	MAIN 17FT SECTION W.A.	-	1	-	1	-
44	8500-220	MAIN 12FT SECTION W.A.	-	-	1	-	-
55	8500-373	V92 DOT TAPE 2"X6" RED/6" WHT 12'	-	2	2	2	2
56	8500-374	V92 DOT TAPE 2"X6" RED/6" WHT 21.5'	2	-	-	-	2
57	8500-375	V92 DOT TAPE 2"X6" RED/6" WHT 8.5'	-	-	2	2	2
64	8500-391	V92 DOT TAPE 2"X6" RED/6" WHT 16.5'	-	2	-	2	-
66	8500-396	V92 DOT TAPE 2"X6" RED/6" WHT 11.5'	-	-	2	-	-

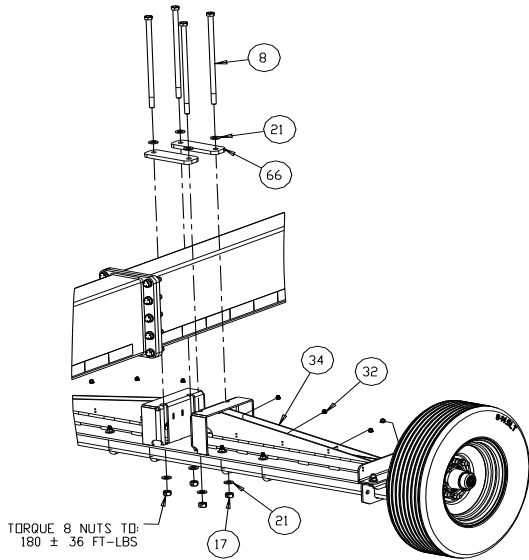
# PART IDENTIFICATION



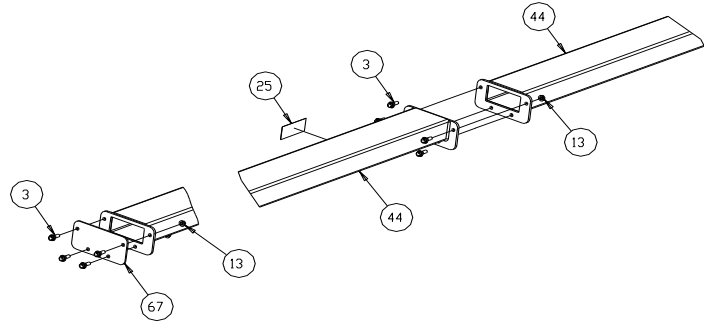
ITEM	PART#	DESCRIPTION	QUANTITY				
			27'	32'	38'	43'	48'
11	2515-556	ZIP TIE	4	4	4	4	4
49	8500-369	BREAKAWAY KIT	1	1	1	1	1
57	8500-381	WIRE HARNESS	1	1	1	1	1
59	8500-385	1 X 1.375 GROMMET	2	2	2	3	3
65	8500-409	QUICK SPLICE CONNECTOR	3	3	3	3	3
69	2502-156	DR SCREW, 1/4 X 5/8 ZN TYPE D	1	1	1	1	1

# PART IDENTIFICATION

## AXLE MOUNT HARDWARE



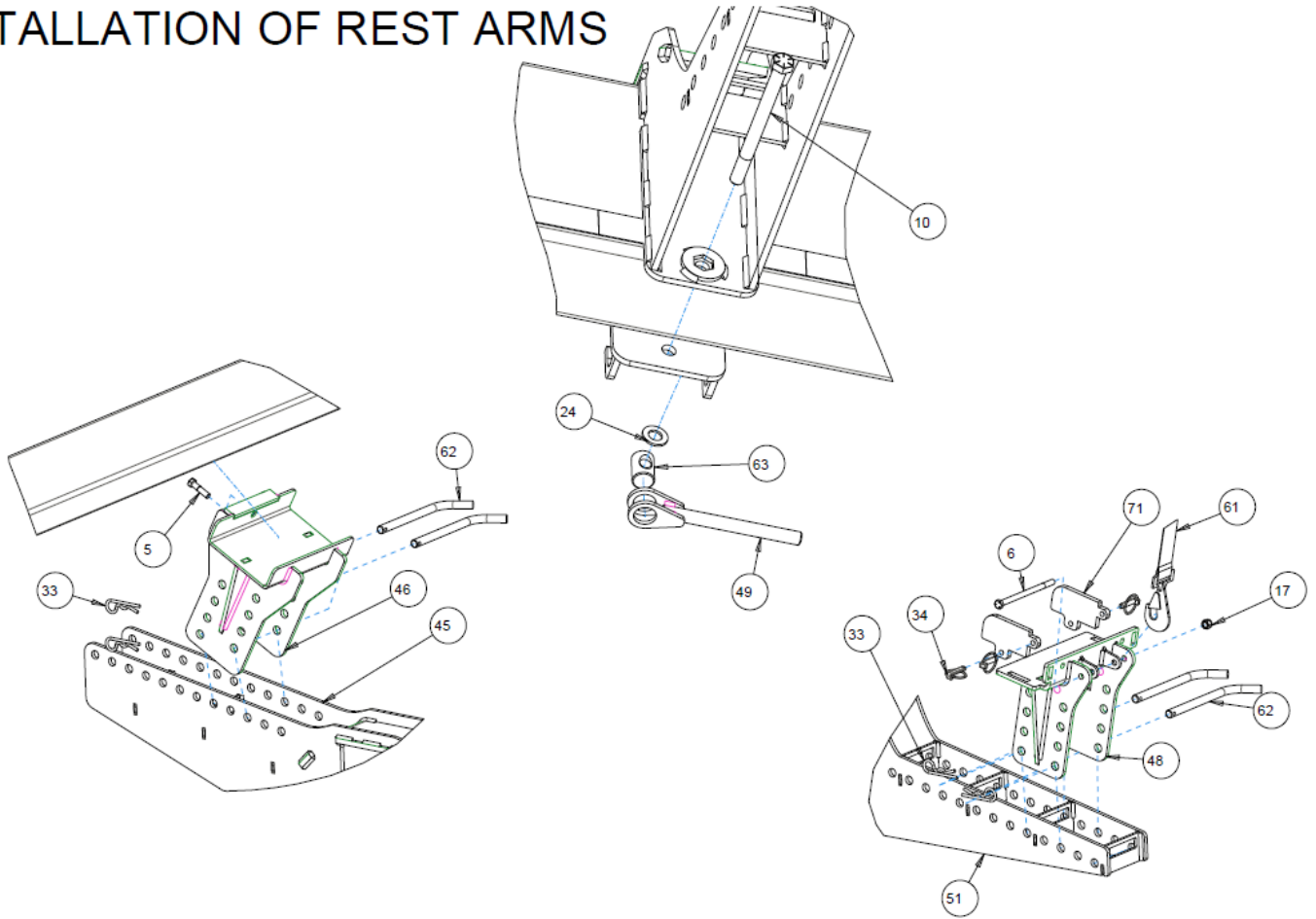
## REST BEAM JOINT AND END CAPS



ITEM	PART#	DESCRIPTION	QTY; P/N				
			27'	32'	38'	43'	48'
3	2502-307	1/2-13 X 1-1/2 FLANGE SERRATED HEX BOLT PLATED GR 5	12	12	12	12	12
8	2502-429	3/4-10 X 16.5 HHCS GR8, ZP	4	8	8	8	8
13	2520-361	1/2-13 FLANGE WHZ LCK HXNT, GR 5, ZP	12	12	12	12	12
17	2520-518	3/4-10 LOCK HEX NUT, GR 8, ZP	18	32	42	42	42
21	2526-504	3/4 SAE FLATWASHER, ZP	41	69	89	90	90
25	2565-822	YETTER DECAL	5	5	5	5	5
32	2940-577	11.5" BLACK CABLE TIE NYLON 40LB, INDIVIDUAL	10	18	18	18	18
34	8500-101	REAR AXLE ASSEMBLY	1	2	2	2	2
44	-	HEADER REST XXFT CART W.A.	2; 8500-223	2; 8500-222	2; 8500-221	2; 8500-219	2; 8500-214
66	8500-388	AXLE CLAMP PLATE	2	4	4	4	4
67	8500-397	END CAP, HEADER REST	2	2	2	2	2
			USE ISO-8500-048 SHT 4 FOR IMAGE				

# PART IDENTIFICATION

## INSTALLATION OF REST ARMS

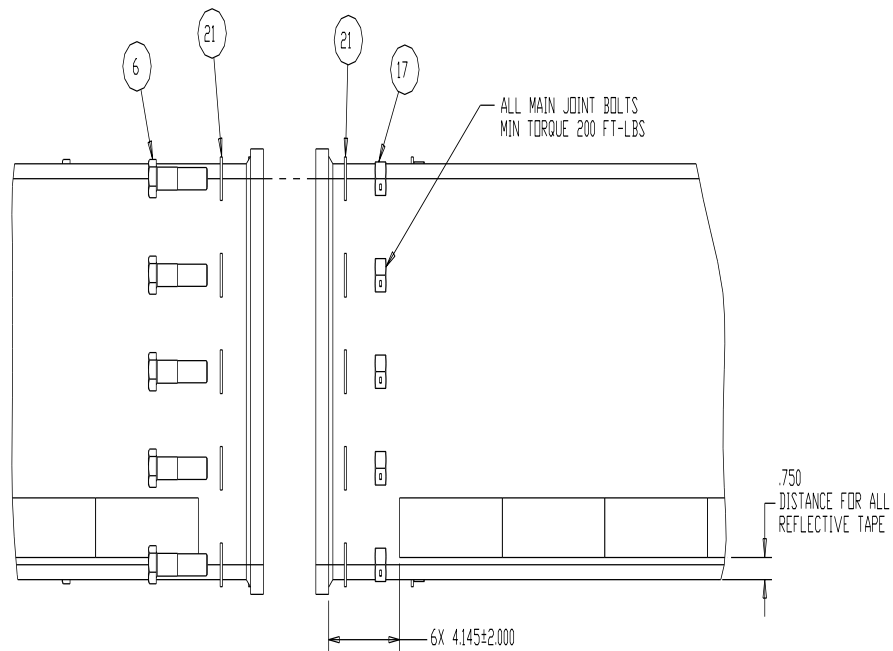


ITEM	PART#	DESCRIPTION	QTY; P/N				
			27'	32'	38'	43'	48'
5	2502-350	1/2-13 X 2 HHCS, GR 8, ZP	3	3	3	4	4
6	2502-369	1/2-13 X 8 HHCS GR. 5 ZP	2	2	2	2	2
10	2502-431	3/4-10 X 9 HHCS GR8, ZP	5	5	5	6	6
17	2520-363	1/2-13 NYL INSERT LOCKNUT, GR 2	2	2	2	2	2
24	2526-504	3/4 SAE FLATWASHER, ZP	41	69	89	90	90
33	2570-452	COTTER PIN, 1/4 X 4 STEEL ZP	10	10	10	12	12
34	2570-454	KLIK PIN DANUSER #7524	8	8	8	8	8
45	8500-212	UPPER SUPPORT W.A.	3	3	3	4	4
46	8500-213	UPPER HEADER SUPPORT W.A.	3	3	3	4	4
49	8500-217	ADJUSTMENT HANDLE	5	5	5	6	6
48	8500-216	LOWER HEADER REST(SHOWN)	2	2	2	2	2
48	8500-228	SHORT LOWER HEADER REST W.A.	OPTIONAL				
	8500-232	TALL LOWER HEADER REST W.A.	OPTIONAL				
51	8500-227	LOWER SUPPORT W.A.	2	2	2	2	2
61	8500-376	2" RATCHET	2	2	2	2	2
62	8500-377	3/4 DIAMETER PULL PIN	10	10	10	12	12
63	8500-378	THREADED PIN	5	5	5	6	6
71	8500-406	SIDE PLATE	4	4	4	4	4

USE ISO-8500-048 SHT 5 FOR IMAGE

# PART IDENTIFICATION

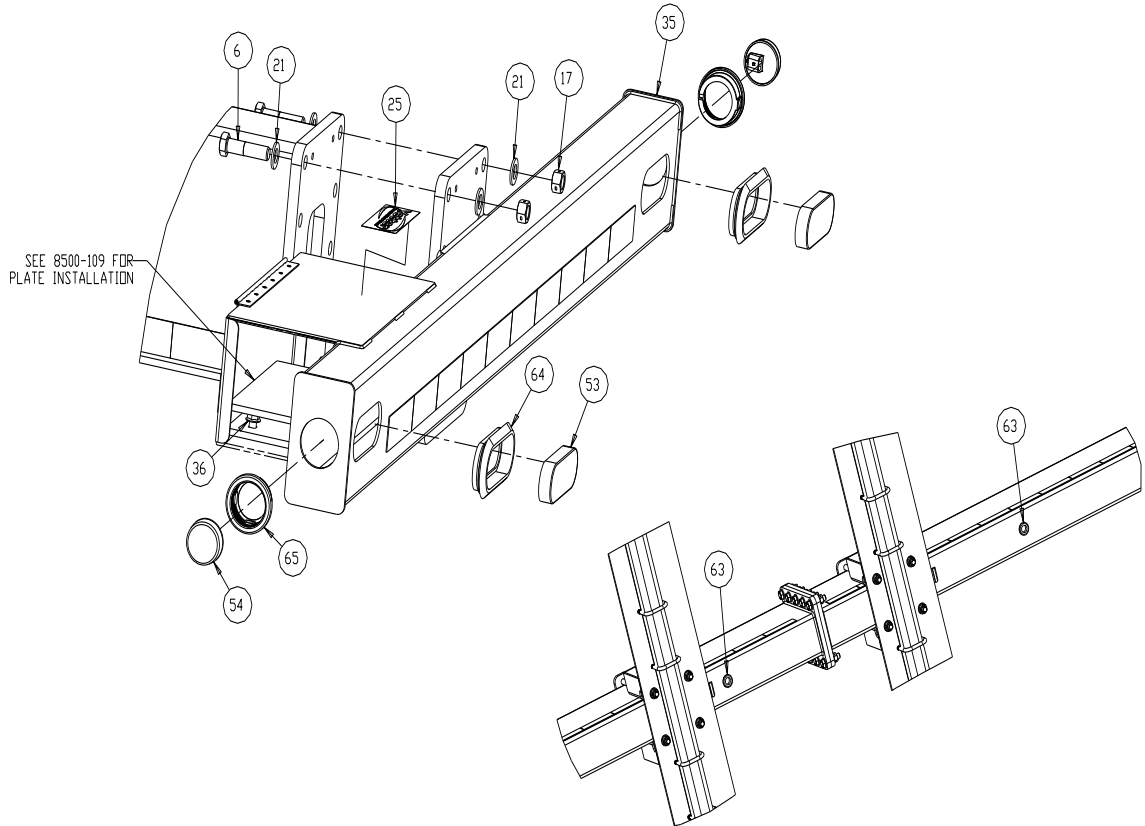
## MAIN BEAM JOINT CONNECTION



ITEM	PART#	DESCRIPTION	QTY; P/N				
			27'	32'	38'	43'	48'
6	2502-409	3/4-10 X 3 HHCS GR 5 ZP	14	24	34	34	34
17	2520-518	3/4-10 LOCK HEX NUT, GR 8, ZP	18	32	42	42	42
21	2526-504	3/4 SAE FLATWASHER, ZP	41	69	89	90	90
			USE ISO-8500-048 SHT 6 FOR IMAGE				

# PART IDENTIFICATION

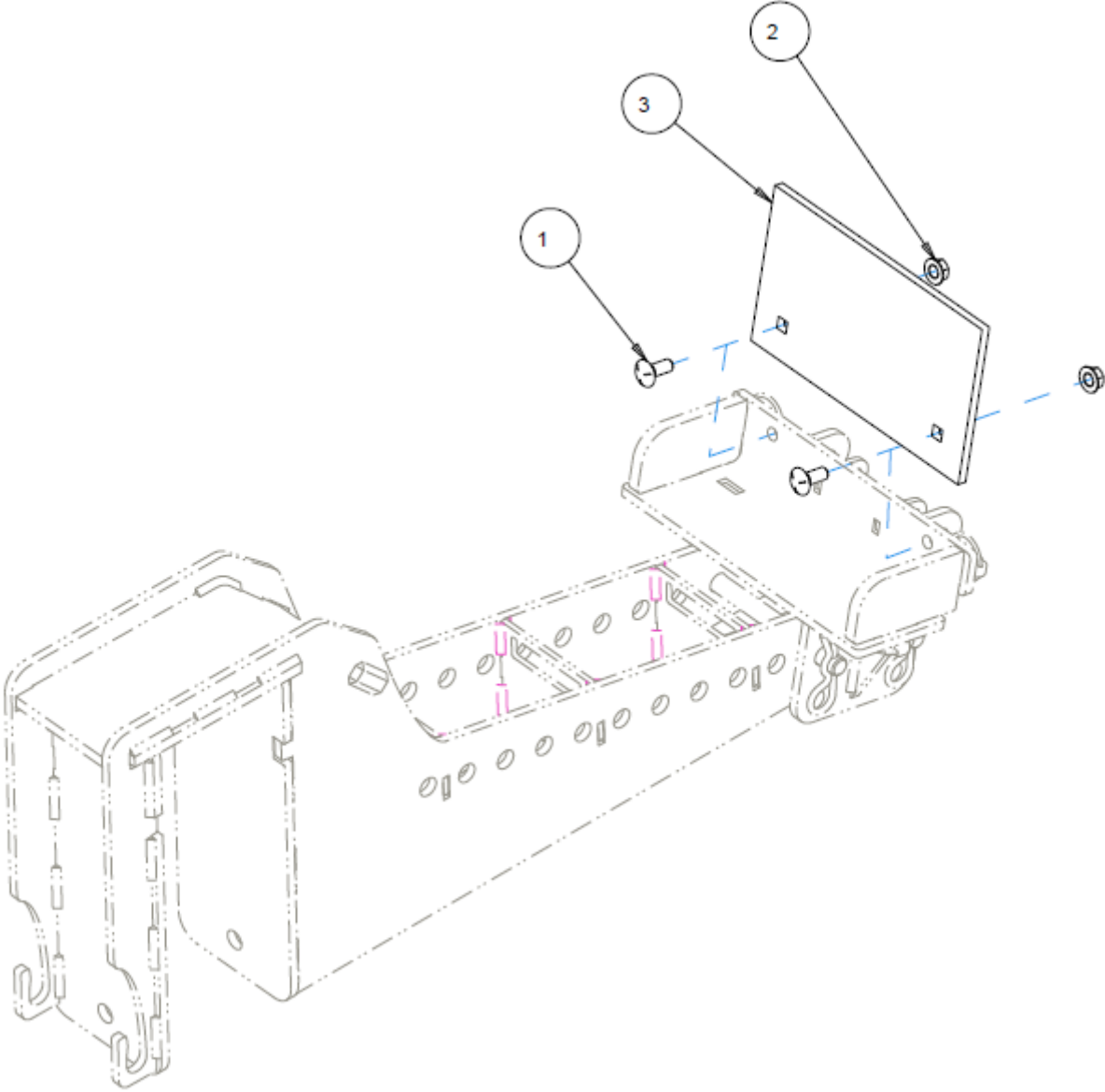
## REAR BUMPER ASSEMBLY



ITEM	PART#	DESCRIPTION	QTY; P/N				
			27'	32'	38'	43'	48'
6	2502-409	3/4-10 X 3 HHCS GR 5 ZP	14	24	34	34	34
17	2520-518	3/4-10 LOCK HEX NUT, GR 8, ZP	18	32	42	42	42
21	2526-504	3/4 SAE FLATWASHER, ZP	41	69	89	90	90
25	2565-822	YETTER DECAL	5	5	5	5	5
35	8500-102	TAIL LIGHTS ASSEMBLY	1	1	1	1	1
36	8500-109	BOLT BAG	1	1	1	1	1
53	8500-371	LED TAIL LIGHT	2	2	2	2	2
54	8500-372	RED MARKER LIGHT	2	2	2	2	2
63	8500-385	1 X 1.375 GROMMET	2	2	2	3	3
64	8500-386	6.5 X 2.25 OVAL GROMMET	2	2	2	2	2
65	8500-387	2.5 IN GROMMET	6	6	6	6	6
			USE ISO-8500-048 SHT 7 FOR IMAGE				

# PART IDENTIFICATION

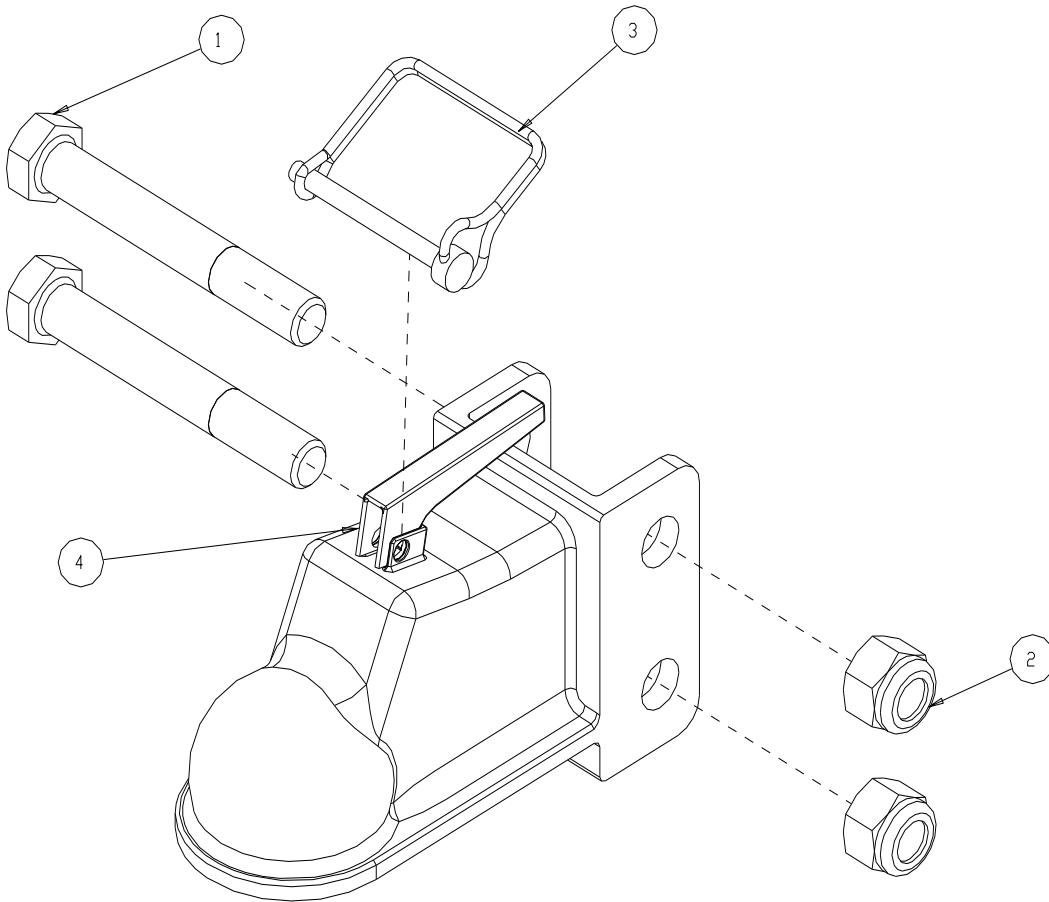
## 8500-109 CRADLE EXTENSION



ITEM	PART#	DESCRIPTION	QTY
1	2505-337	1/2-13 X 1 1/4 CARBLT G5ZP	4
2	2520-361	1/2-13FLANGE WHZLCK HXNT, GR 5, ZP	4
3	8500-408	PLATE, BACKING	2

# PART IDENTIFICATION

## 8500-144 BALL HITCH 2-5/16"

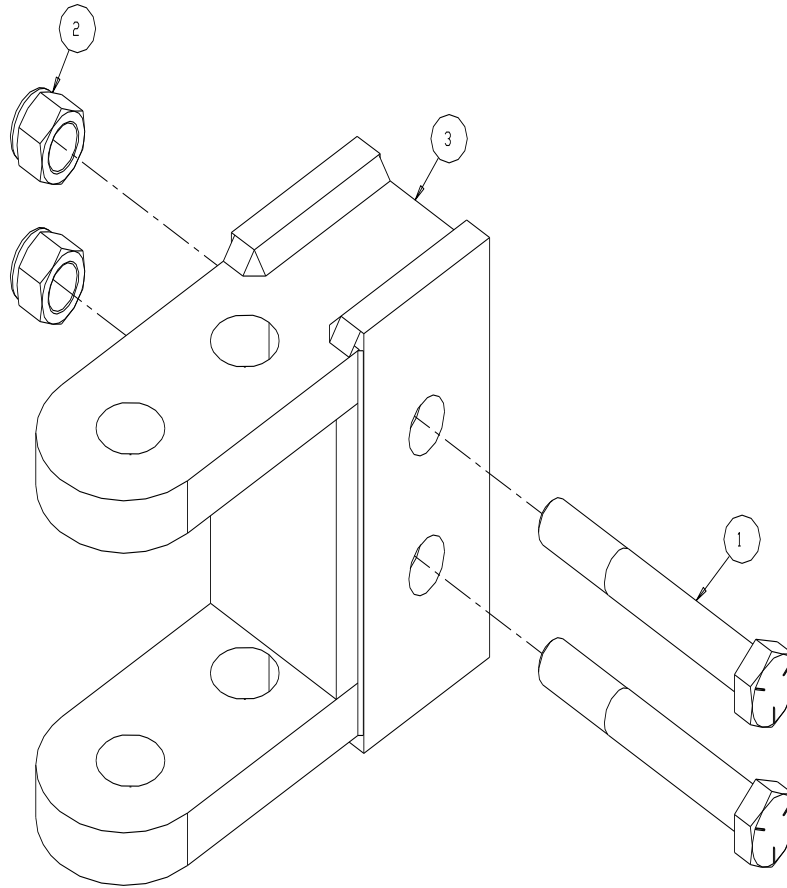


ITEM	PART NO.	DESCRIPTION	QTY
1	2502-334	5/8-11 X 4-1/2 HHCS GR5 ZP	2
2	2520-473	5/8-11 NYLON LOCK NUT GR B, ZP	2
3	2570-456	RETAINER PIN, ZP	1
4	8500-404	BALL HITCH 2-5/16", DEMCO	1



# PART IDENTIFICATION

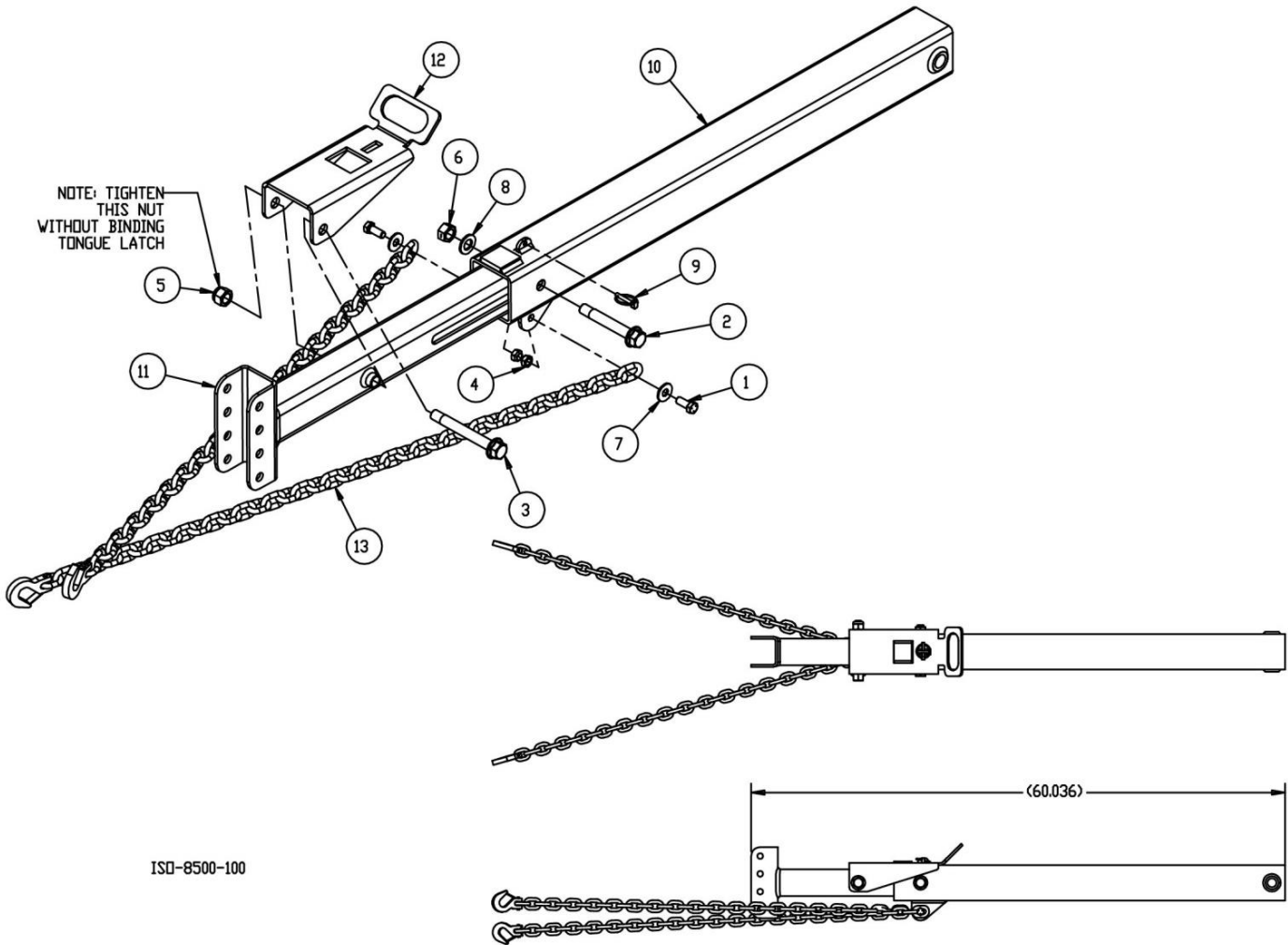
## 8500-166 CLEVIS HITCH



ITEM	PART NO.	DESCRIPTION	QTY
1	2502-334	5/8-11 X 4-1/2 HHCS GR5 ZP	2
2	2520-473	5/8-NYL INSERT LOCKNUT ZYD	2
3	8500-206	CLEVIS HITCH W.A.	1

# PART IDENTIFICATION

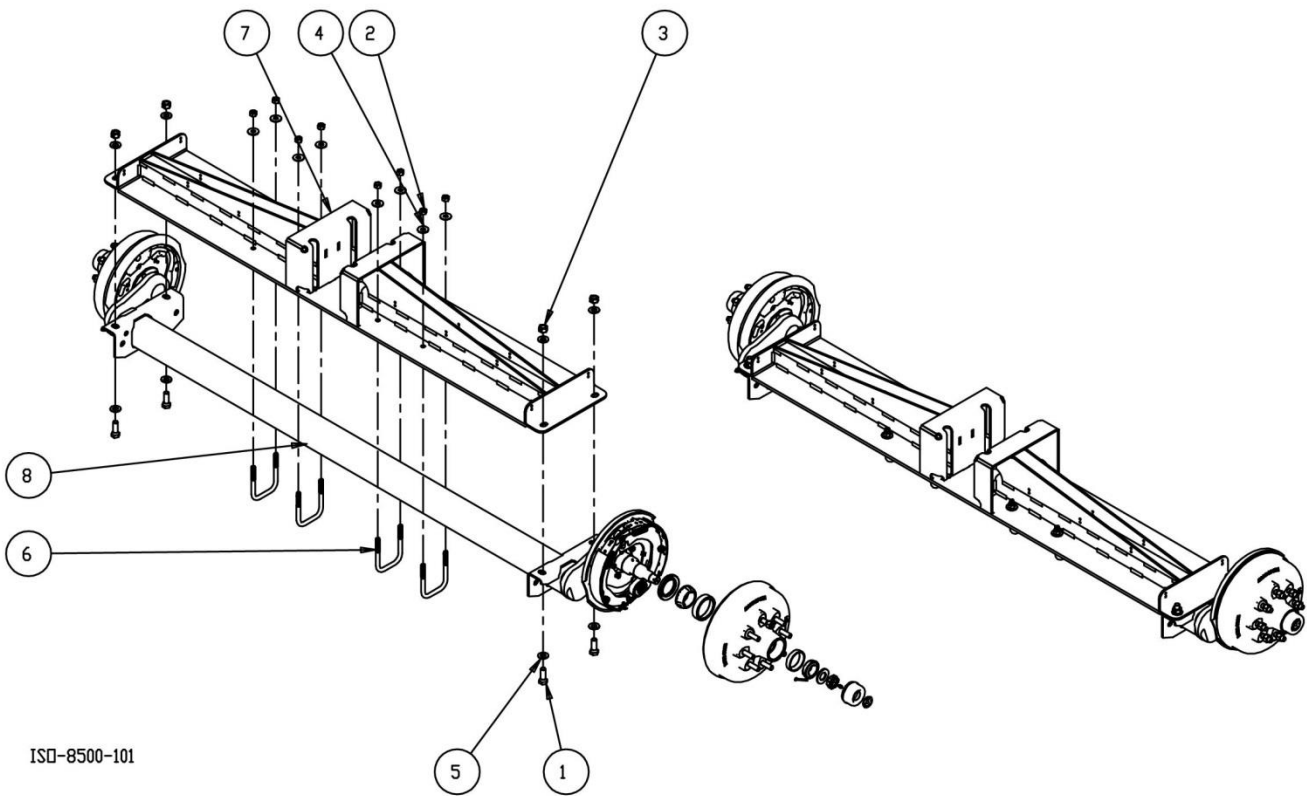
## 8500-100 – EXTENDABLE TONGUE ASSEMBLY



ITEM	PART NO.	DESCRIPTION	QTY
1	2502-293	1/2-13 X 1-1/4 HHCS GR5 ZP	2
2	2502-425	3/4-10 X 5 HFFS GR8, ZP	1
3	2502-426	3/4-10 X 6 HFFS GR8, ZP	1
4	2520-362	1/2-13 HEX LOK NUT, GR C, ZP	2
5	2520-516	3/4-10 NYLON INSERT LOKNT, GR 2, ZP	1
6	2520-518	3/4-10 LOCK HEX NUT, GR 8, ZP	1
7	2526-351	1/2 STANDARD FLATWASHER ZP	2
8	2526-504	3/4 SAE FLATWASHER, ZP	1
9	2570-458	1/4 X 125 LOCKING PIN, ZP	1
10	8500-204	MAIN TONGUE V.A.	1
11	8500-205	EXTENDABLE TONGUE V.A.	1
12	8500-328	TONGUE LATCH	1
13	8500-332	HEAD CART SAFETY CHAIN ASS'Y	2

# PART IDENTIFICATION

## 8500-101 – Rear Axle Assembly

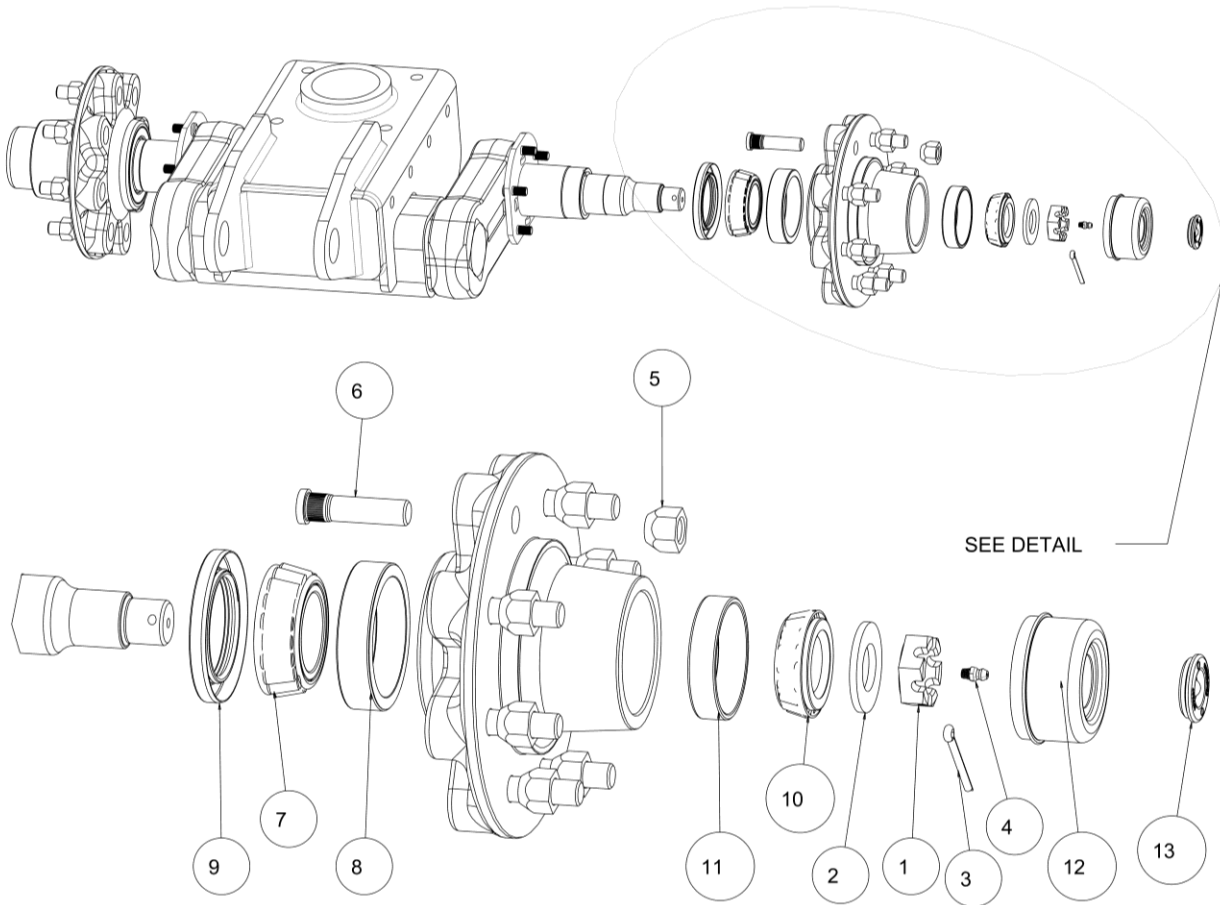


ISO-8500-101

ITEM	PART NO.	DESCRIPTION	QTY
1	2502-331	5/8-11 X 1-3/4 HHCS GR5 ZP	4
2	2520-352	1/2-13 HEX NUT ZP	8
3	2520-459	5/8-11 LOCK HEX NUT, GR B, ZP	4
4	2526-351	1/2 STANDARD FLATWASHER ZP	8
5	2526-453	5/8 SAE FLATWASHER	8
6	2570-486	1/2-13 X 5 X 3/4 U-BDLT, ZP	4
7	8500-210	AXLE MOUNT W.A.	1
8	8500-345	7000 LB TORSION AXLE	1

# PART IDENTIFICATION

## 8500-203 – Front Axle Assembly

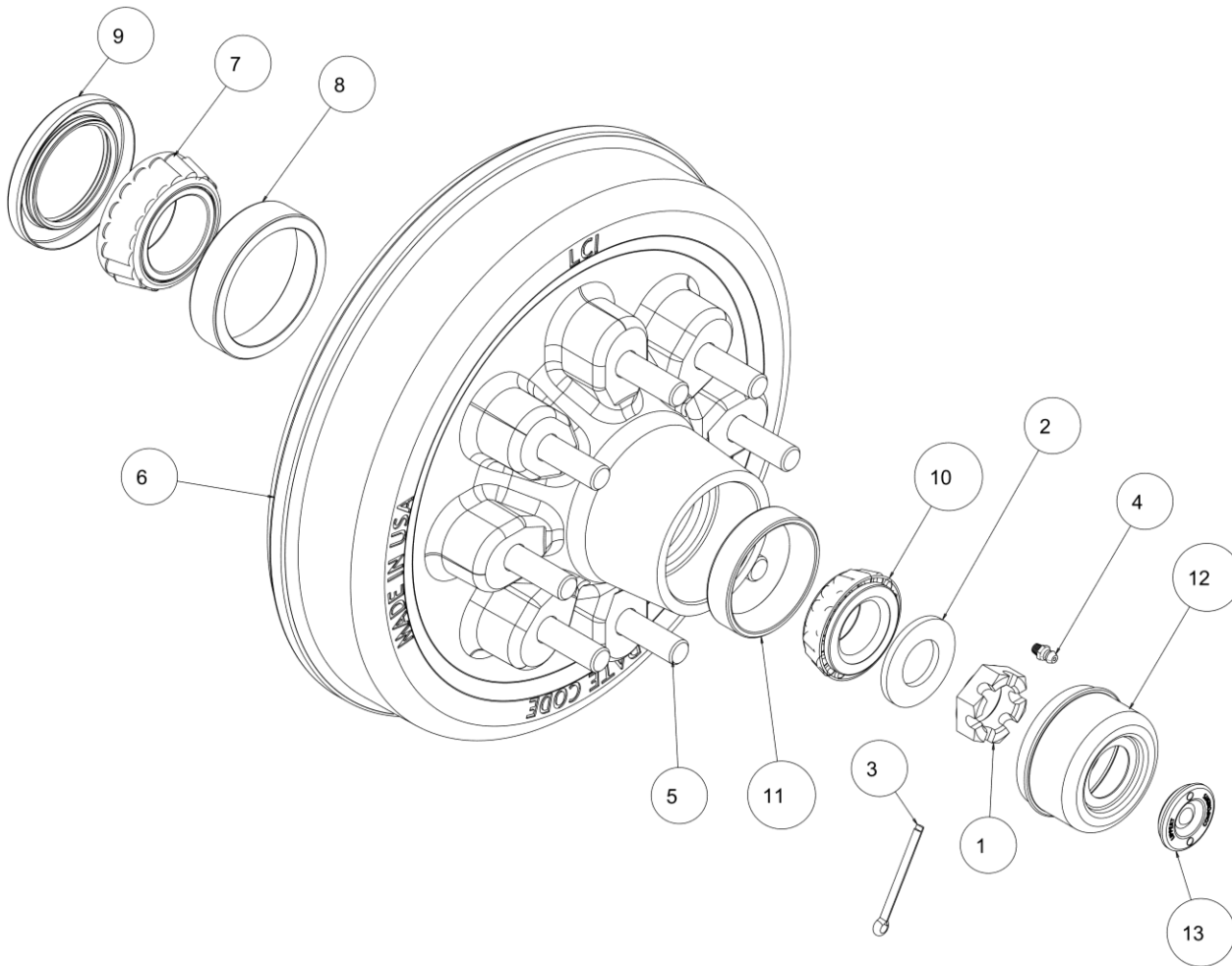


ITEM	PART #	DESCRIPTION	QTY
1	2520-569	NUT, 1-14 CASTLE	2
2	2526-545	SPINDLE WASHER - HEADCART	2
3	2531-124	COTTER PINS	2
4	2533-110	1/4-28 ZERK STRAIGHT SELF-TAP	2
5	8500-510	9/16-18 LUG NUT, 60 DEGREE	16
6	8500-511	9/16 STUD	16
7	8500-513	INNER TAPERED ROLLER BEARING	2
8	8500-514	INNER BEARING RACE	2
9	8500-515	GREASE SEAL, DOUBLE LIP	2
10	8500-516	OUTER TAPERED ROLLER BEARING	2
11	8500-517	OUTER BEARING RACE	2
12	8500-519	DUST CAP	2
13	8500-520	RUBBER PLUG	2

# PART IDENTIFICATION

## 8500-120 – Rear Bearing and Drum Replacement Kit

### One per Wheel

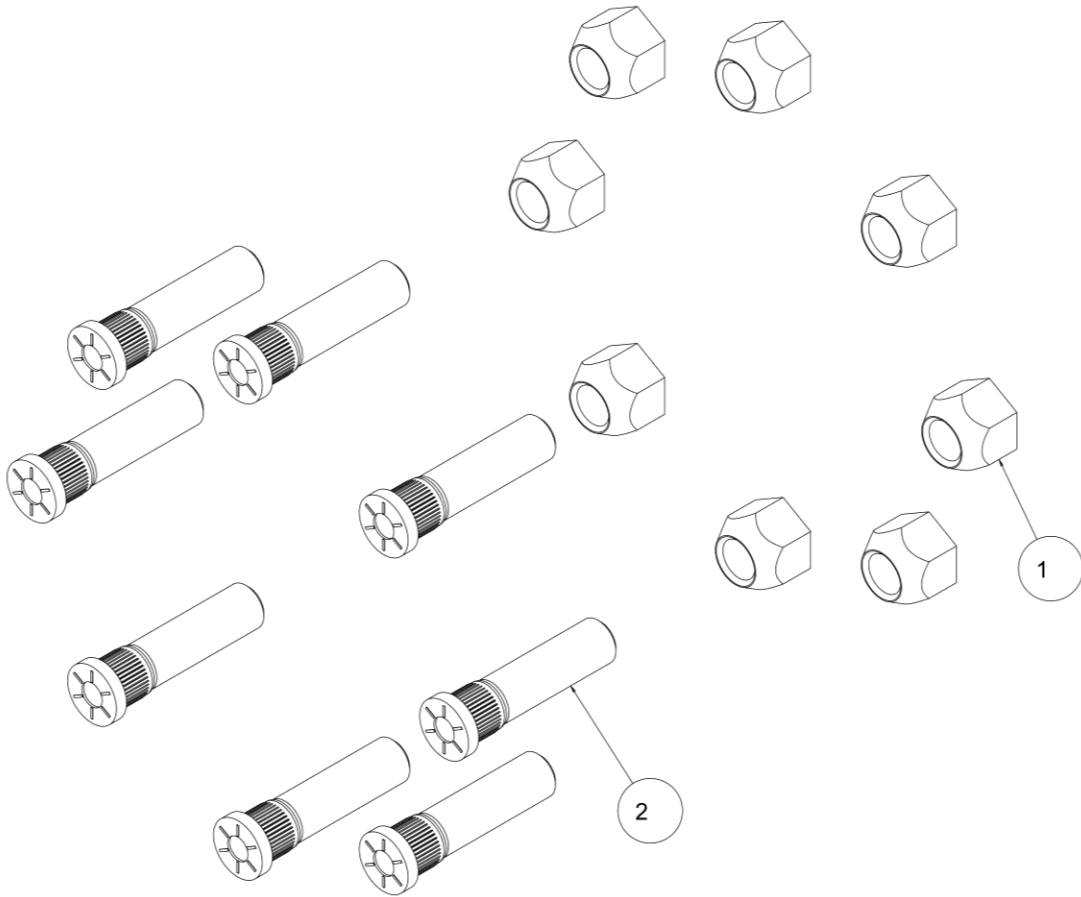


ITEM	PART #	DESCRIPTION	QTY
1	2520-569	NUT, 1-14 CASTLE	1
2	2526-545	SPINDLE WASHER - HEADCART	1
3	2531-124	COTTER PINS	1
4	2533-110	1/4-28 ZERK STRAIGHT SELF-TAP	1
5	8500-511	9/16 STUD	8
6	8500-512	BRAKE DRUM	1
7	8500-513	INNER TAPERED ROLLER BEARING	1
8	8500-514	INNER BEARING RACE	1
9	8500-515	GREASE SEAL, DOUBLE LIP	1
10	8500-516	OUTER TAPERED ROLLER BEARING	1
11	8500-517	OUTER BEARING RACE	1
12	8500-519	DUST CAP	1
13	8500-520	RUBBER PLUG	1

# PART IDENTIFICATION

## 8500-121 – Lugnut and Stud Replacement Kit

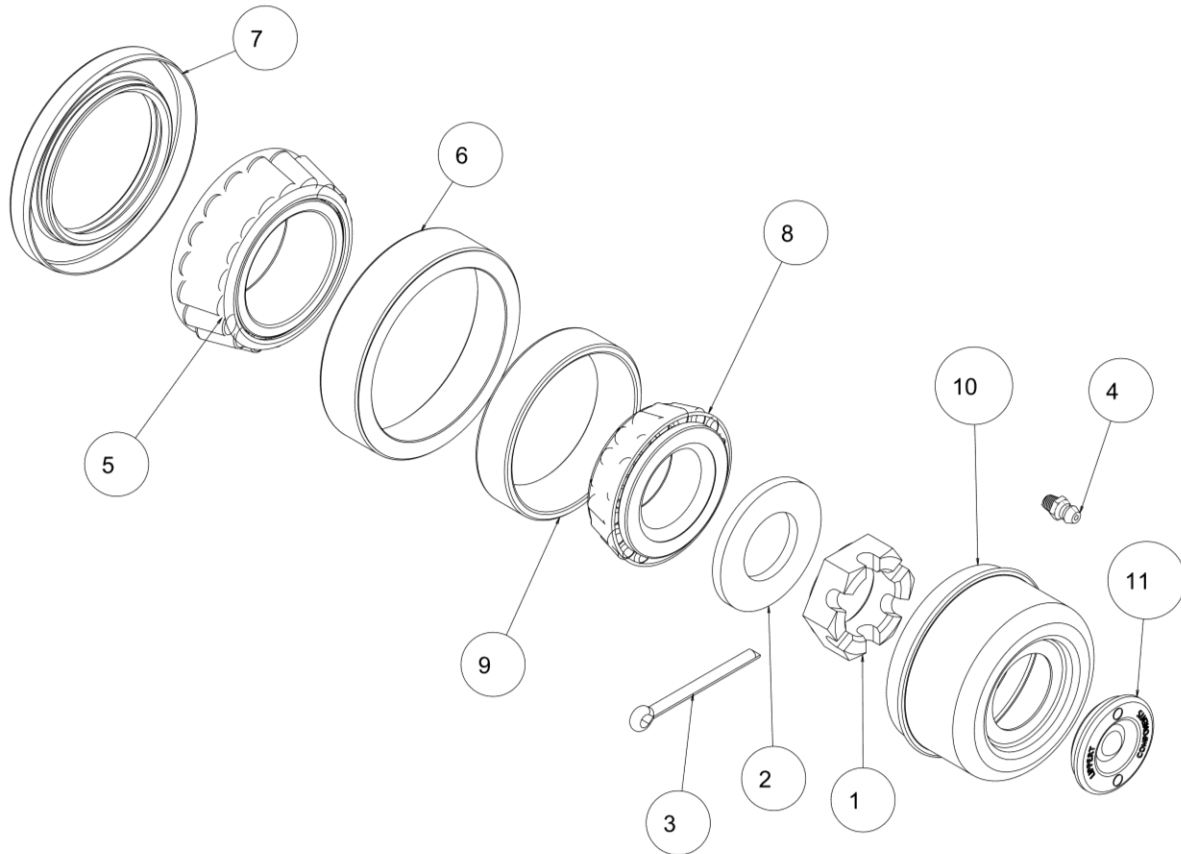
### One per Wheel



ITEM	PART #	DESCRIPTION	QTY
1	8500-510	9/16-18 LUG NUT, 60 DEGREE	8
2	8500-511	9/16 STUD	8

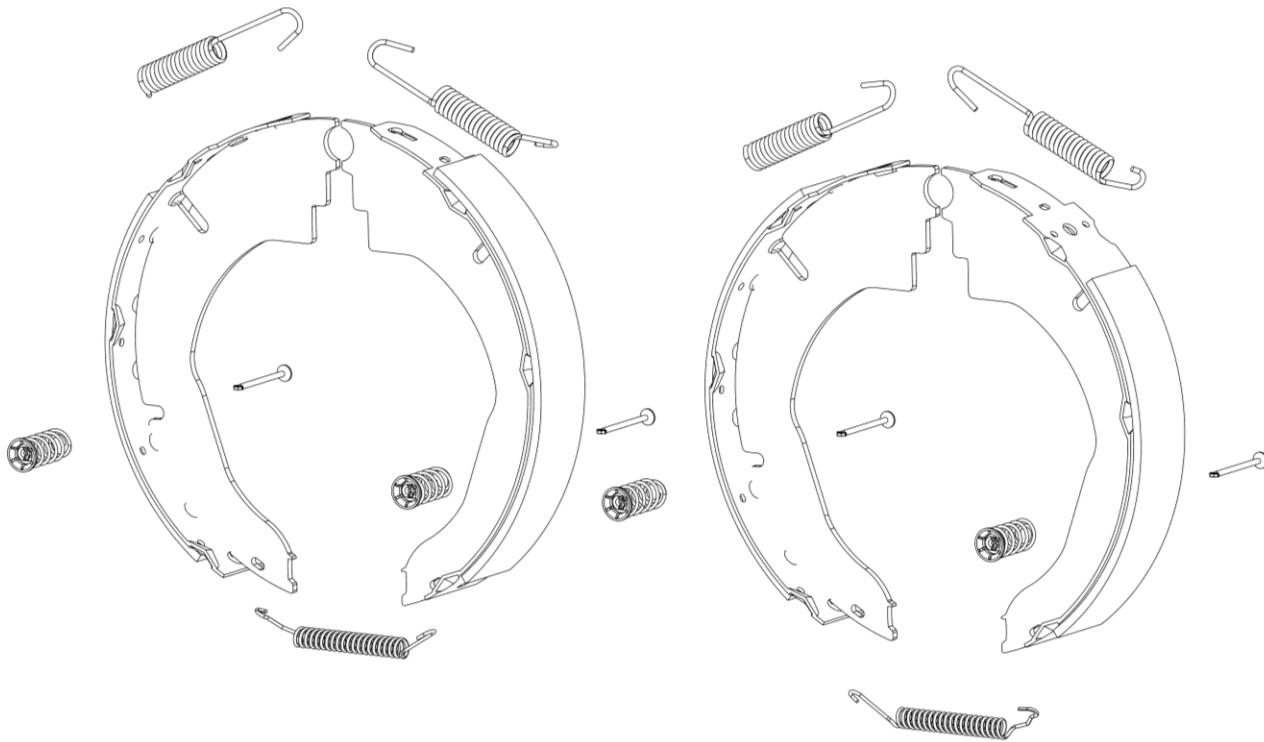
# PART IDENTIFICATION

## 8500-122 – Front and Rear Bearing Replacement Kit One per Wheel



ITEM	PART #	DESCRIPTION	QTY
1	2520-569	NUT, 1-14 CASTLE	1
2	2526-545	SPINDLE WASHER - HEADCART	1
3	2531-124	COTTER PINS	1
4	2533-110	1/4-28 ZERK STRAIGHT SELF-TAP	1
5	8500-513	INNER TAPERED ROLLER BEARING	1
6	8500-514	INNER BEARING RACE	1
7	8500-515	GREASE SEAL, DOUBLE LIP	1
8	8500-516	OUTER TAPERED ROLLER BEARING	1
9	8500-517	OUTER BEARING RACE	1
10	8500-519	DUST CAP	1
11	8500-520	RUBBER PLUG	1

**PART IDENTIFICATION**  
**8500-123 – Brake Replacement Kit**  
**One per Rear Axle**



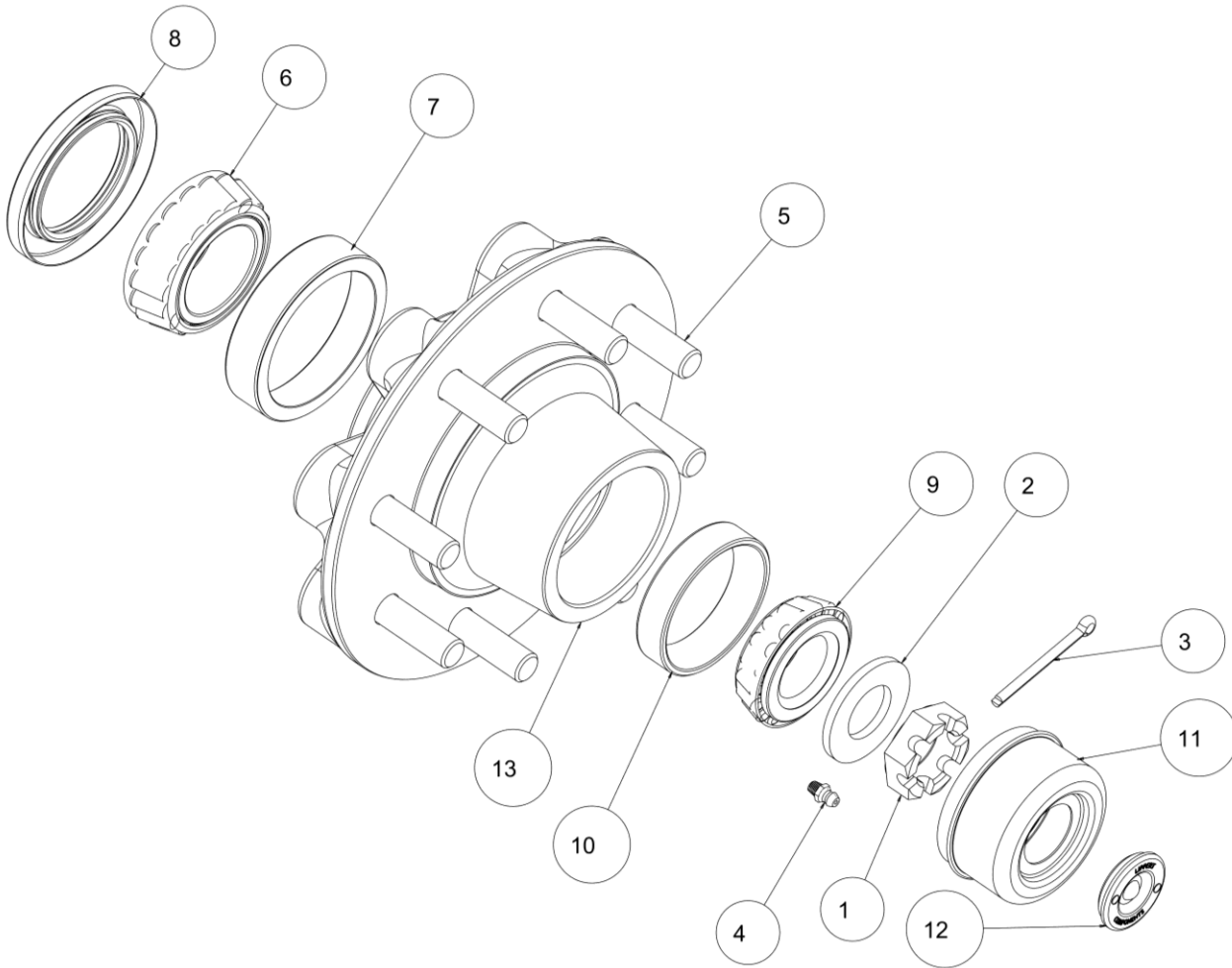
**KIT INCLUDES 2 SETS OF BRAKE SHOES, ALL SPRINGS, AND MOUNTING CLIPS**



# PART IDENTIFICATION

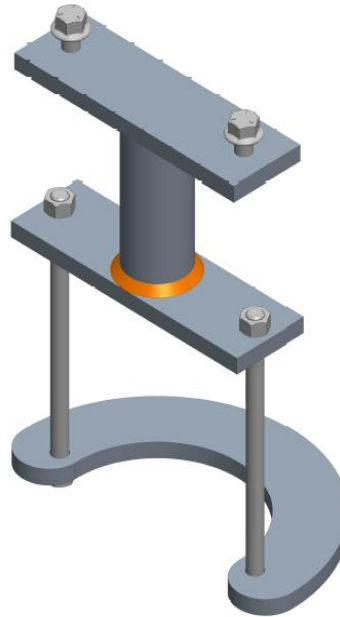
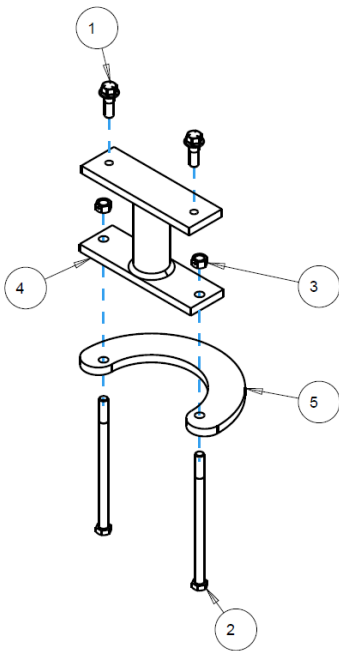
## 8500-124 – Front Bearing Replacement Kit

### One per Wheel



ITEM	PART #	DESCRIPTION	QTY
1	2520-569	NUT, 1-14 CASTLE	1
2	2526-545	SPINDLE WASHER - HEADCART	1
3	2531-124	COTTER PINS	1
4	2533-110	1/4-28 ZERK STRAIGHT SELF-TAP	1
5	8500-511	9/16 STUD	8
6	8500-513	INNER TAPERED ROLLER BEARING	1
7	8500-514	INNER BEARING RACE	1
8	8500-515	GREASE SEAL, DOUBLE LIP	1
9	8500-516	OUTER TAPERED ROLLER BEARING	1
10	8500-517	OUTER BEARING RACE	1
11	8500-519	DUST CAP	1
12	8500-520	RUBBER PLUG	1
13	8500-526	FRONT HUB	1

# PART IDENTIFICATION OPTIONAL EQUIPMENT 8500-150 SPARE TIRE CARRIER



ISO8500-150

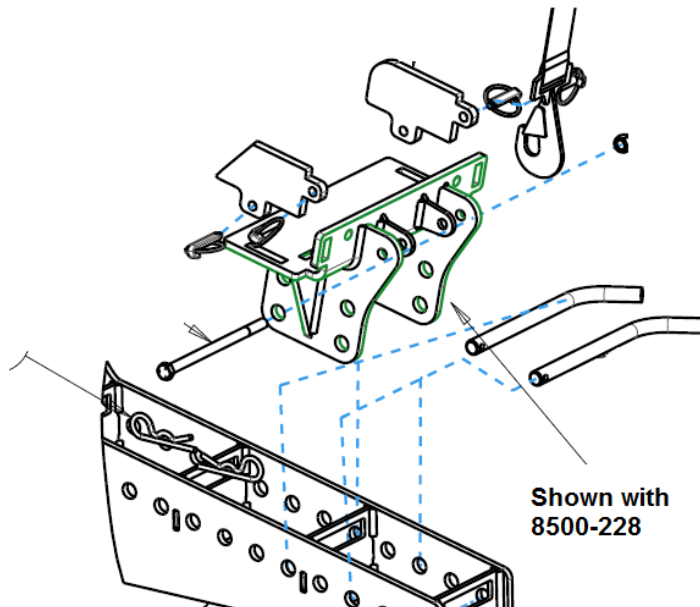
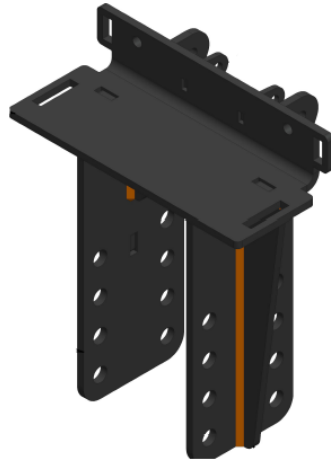
ITEM	PART NO.	DESCRIPTION	QTY
1	2502-307	1/2-13 X 1-1/2 FLANGE SERRATED HEX BOLT PLATED GR 5	2
2	2502-375	1/2-13 X 8-1/2 HHCS GR 5 ZP	2
3	2520-357	1/2-13 LOCK HEX NUT, GR A, ZP	2
4	8500-229	SPARE TIRE MOUNT W.A.	1
5	8500-420	CLAMP PLATE	1



**PART IDENTIFICATION**  
**OPTIONAL EQUIPMENT**  
**8500-228 LOWER HEAD REST “SHORT”**  
4” Shorter than stock

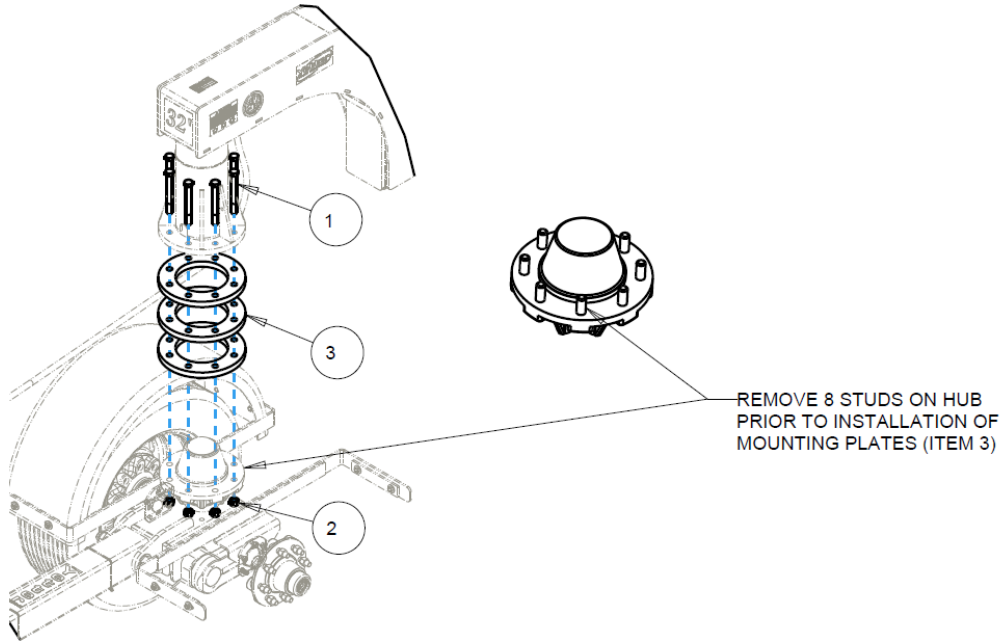


**8500-232 LOWER HEAD REST “TALL”**  
4” Taller than stock

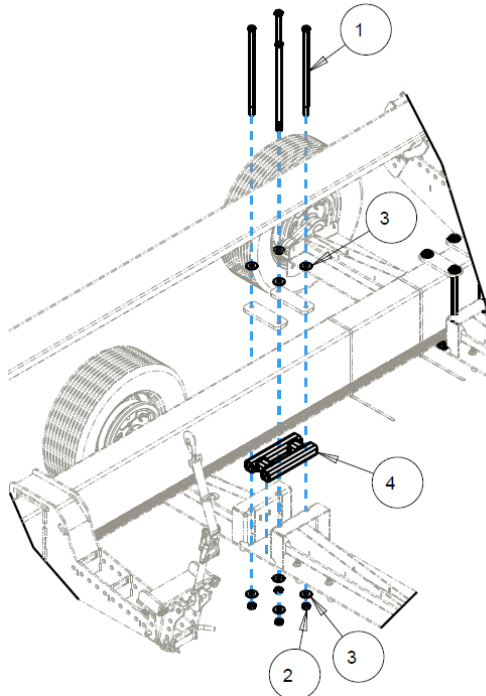


# PART IDENTIFICATION OPTIONAL EQUIPMENT 8500-151 2" HEAD CART LIFT KIT

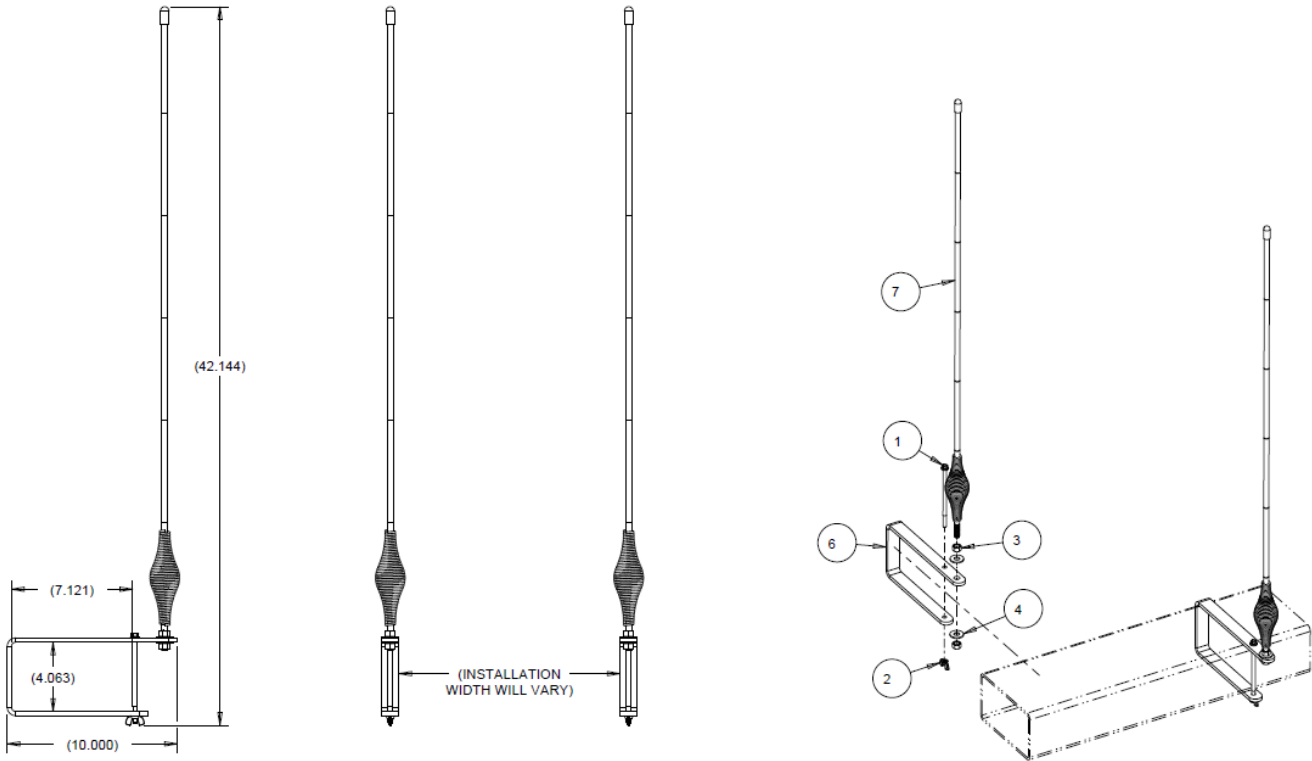
ITEM	PART NO.	DESCRIPTION	QTY
1	2502-356	5/8-11 X 5-1/2" GR. 8 HHCS ZP	8
2	2520-370	WHEEL NUT #N913557	8
3	8500-303	MOUNTING PLATE, KING PIN	3



ITEM	PART NO.	DESCRIPTION	QTY
1	2502-432	3/4-10 x 18-1/2 HHCS GR8 ZP	8
2	2520-518	3/4-10 LOCK HEX NUT, GR 8, ZP	8
3	2526-501	3/4 STANDARD FLATWASHER ZP	16
4	8500-231	REAR AXLE 2" LIFT BLOCK W.A.	2



# PART IDENTIFICATION OPTIONAL EQUIPMENT 8500-001 MARKER POLE KIT



ITEM	PART NO.	DESCRIPTION	QTY
1	2502-153	1/4-20 X 5 HHFS GR5, ZP	2
2	2520-161	1/4-20 WING NUT, ZP	2
3	2520-251	3/8-16 HEX NUT ZP	4
4	2526-251	3/8 STANDARD FLATWASHER ZP	4
5	2565-824	38" X 6" X 6", 200# CAP. CORRUGATED CARDBOARD BOX, PLAIN	1
6	8500-382	POLE MARKER MOUNT	2
7	8500-383	CUSTOM ORANGE MARKER	2



# NOTES

# Our Name Is Getting Known

Just a few years ago, Yetter products were sold primarily to the Midwest only. Then we embarked on a program of expansion and moved into the East, the South, the West and now north into Canada. We're even getting orders from as far away as Australia and Africa.

So, when you buy Yetter products . . .you're buying a name that's recognized. A name that's known and respected. A name that's become a part of American agriculture and has become synonymous with quality and satisfaction in the field of conservation tillage.

From all of us here at Yetter,  
Thank you.

Yetter Manufacturing Co,  
Colchester, IL 62326  
(309)776-4111  
Website: [www.yetterco.com](http://www.yetterco.com)  
E-Mail: [info@yetterco.com](mailto:info@yetterco.com)

2565-799\_E 07/2021