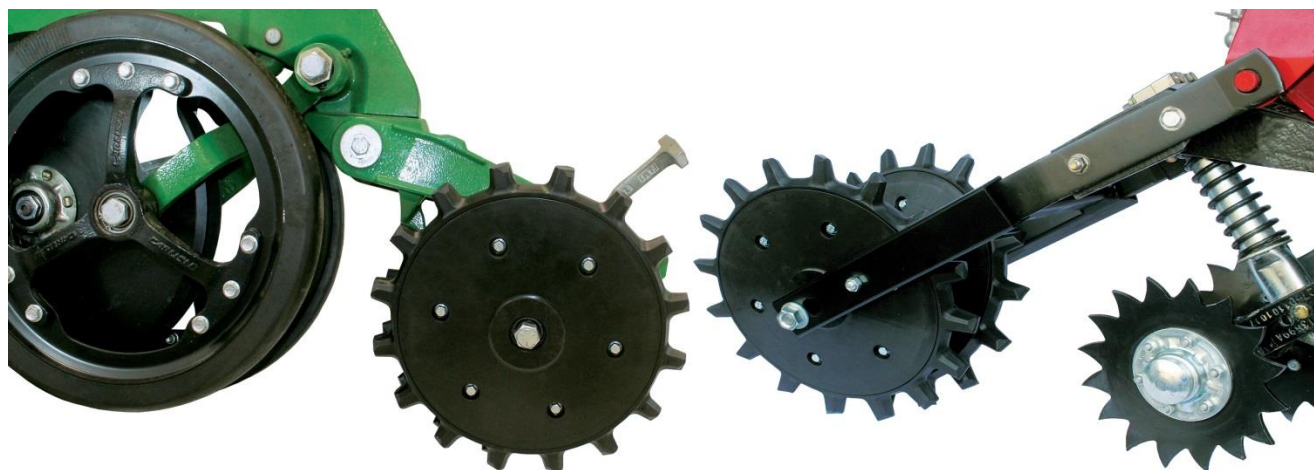




TWISTER CLOSING WHEEL

6200-005, 6200-006, 6200-007, 6200-008, 6200-009, 6200-030,
6200-031, 6200-036, 6200-039, 6200-053, 6200-054, 6200-183

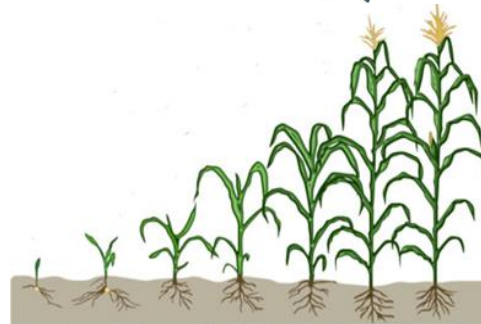
OPERATOR MANUAL
PARTS IDENTIFICATION
2565-797_REV_E • 11/2023



YETTER MANUFACTURING CO.
FOUNDED 1930

Colchester, IL 62326-0358
Toll free: 800/447-5777
309/776-3222 (Fax)
Website: www.yetterco.com
E-mail: info@yetterco.com

GERMINATE UNIFORMITY™



FOREWORD

You've just joined an exclusive but rapidly growing club.

For our part, we want to welcome you to the group and thank you for buying a Yetter product.

We hope your new Yetter products will help you achieve both goals-increase your productivity and increase your efficiency so that you may generate more profit.

This operator's manual has been designed into four major sections: Foreword, Safety Precautions, Installation Instructions and Parts Breakdown.



This **SAFETY ALERT SYMBOL** indicates important safety messages in the manual. When you see this symbol, be alert to the possibility of **PERSONAL INJURY** and carefully read the message that follows.

The word **NOTE** is used to convey information that is out of context with the manual text. It contains special information such as specifications, techniques and reference information of a supplementary nature.

The word **IMPORTANT** is used in the text when immediate damage will occur to the machine due to improper technique or operation. Important will apply to the same information as specified by note only of an immediate and urgent nature.

It is the responsibility of the user to read the operator's manual and comply with the safe and correct operating procedure and to lubricate and maintain the product according to the maintenance schedule in the operator's manual.

The user is responsible for inspecting his machine and for having parts repaired or replaced when continued use of the product would cause damage or excessive wear to the other parts.

It is the user's responsibility to deliver his machine to the Yetter dealer who sold him the product for service or replacement of defective parts, which are covered by the warranty policy.

If you are unable to understand or follow the instructions provided in this publication, consult your local Yetter dealer or contact:

YETTER MANUFACTURING CO.

309/776-4111

800/447-5777

309/776-3222 (FAX)

Website: www.yetterco.com

E-mail: info@yetterco.com

WARRANTY

Yetter Manufacturing warrants all products manufactured and sold by it against defects in material. This warranty being expressly limited to replacement at the factory of such parts or products as shall appear to be defective after inspection. This warranty does not obligate the Company to bear cost of labor in replacement of parts. It is the policy of the Company to make improvements without incurring obligations to add them to any unit already sold. No warranty is made or authorized to be made, other than herein set forth. This warranty is in effect for one year after purchase.

DEALER _____

Yetter Manufacturing warrants its own products only and cannot be responsible for damages to equipment on which mounted.

SAFETY PRECAUTIONS

A brief description of signal words that may be used in this manual:

CAUTION: Used as a general reminder of good safety practices or to direct attention to unsafe practices.

WARNING: Denotes a specific potential hazard.

DANGER: Denotes the most serious specific potential hazard.



CAUTION

Consult your implement and tractor operator's manual for correct and safe operating practices. Be aware of towed implement width and allow safe clearance.



CAUTION: SAFETY SIGNS

Safety decals are placed on the implement to alert the operator and others to the risk of personal injury or unsafe operation during normal operations and servicing.

1. The safety decals must be kept clean and in good condition to ensure that they are legible.
2. Safety decals must be replaced if they are missing or illegible.
3. When components are replaced during repair or servicing, check that the new components include the necessary safety signs.
4. Replacement safety decals may be obtained from your local dealer.



WARNING

Read these instructions carefully to acquaint yourself with the Equipment. Working with unfamiliar equipment can lead to accidents.

Never park the equipment on a steep incline or leave the equipment running unattended.

Never clean, lubricate or adjust a machine that is in motion.

Always check that straps are secure.

Make sure latches are in pinned position when moving equipment.

Do not allow children to operate this equipment.

Do not allow riders on the equipment, trailer and/or pick-up.

Use speed and caution dictated by the terrain being traversed. Do not operate on any slope steep enough to cause tipping or loss of control.

Read and understand the operator's manual and require all other persons who will operate the equipment to do the same.

If operating on public roadways, where legal, be certain all lighting is operating properly and observe all traffic laws.

Beware of increased stopping distances and control effort when operating with implements attached.

Be familiar with all controls and be prepared to stop equipment quickly in an emergency.

Wear proper personal protective equipment when working on implement. Safety glasses, gloves, knee pads etc. are examples.

MAKE SURE TRACTOR IS IN PARK, PLANTER IS RAISED, & THE HYDRAULIC CYLINDER STOPS ON THE PLANTER ARE IN PLACE BEFORE BEGINNING TO INSTALL THIS PRODUCT.

FAILURE TO HEED MAY RESULT IN PERSONAL INJURY OR DEATH.

TABLE OF CONTENTS

FOREWORD/WARRANTY.....	2
SAFETY PRECAUTIONS.....	3
BOLT TORQUE.....	4
BILL OF MATERIALS.....	5
ASSEMBLY INSTRUCTIONS.....	5 – 8
OPERATION.....	9
PARTS IDENTIFICATION	
6200-005, 6200-006, & 6200-007 POLY TWISTER.....	10
6200-008 & 6200-009 TWISTER.....	11
6200-030/053 & 6200-031/054 CNH CONVERSION TWISTER	12
6200-036/039/WHEEL ASSEMBLIES	13-14
6200-183 STUD KIT.....	14

BOLT TORQUE

Mounting bolts and hardware

All hardware is Grade 5 unless otherwise noted. Grade 5 cap screws are marked with 3 radial lines on the head. If hardware must be replaced, be sure to replace it with hardware of equal size, strength & thread type. Refer to the torque values chart when tightening hardware.







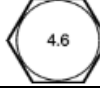
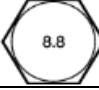

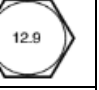
Important: Over-tightening hardware can cause just as much damage as under-tightening. Tightening hardware beyond the recommended range can reduce its shock load capacity.

The chart below is a guide for proper torque. Use it unless a specified torque is called out elsewhere in the manual. Torque is the force applied to the end of the handle or cheater bar, times the length of the handle or bar.

Use a torque wrench wherever possible.

The following table shows torque in ft.-lbs. for coarse thread hardware.

Bolt Diameter and Threads per Inch	 Grade 2	 Grade 5	 A-325	 Grade 8
1/4	6	10		14
5/16	12	20		30
3/8 – 16	25	35		50
7/16 – 14	35	55		80
1/2 – 13	55	85		125
9/16 – 12	75	125		175
5/8 – 11	105	170		235
3/4-10	185	305		425
7/8 – 9	170	445		690
1-8	260	670		1030
1 1/8 – 7	365	900		1460
1 1/4 - 7	515	1275		2060
1 3/8 – 6	675	1675		2700
1 1/2 - 6	900	2150		3500
1 3/4 – 5	1410	3500		5600

Bolt Diameter	 4.6	 8.8	 10.9	 12.9
	4.6	8.8	10.9	12.9
M4	0.9	2.3	3.2	3.8
M5	1.8	4.5	6.5	7.6
M6	3.0	7.7	11.1	13.0
M7	5.0	13.0	18.5	21.7
M8	7.3	18.8	26.9	31.4
M10	14.4	37.2	53.2	62.2
M12	25.2	64.9	92.8	108.5
M14	40.2	103.7	148.4	173.4
M16	62	161	230	269
M18	86	222	318	372
M20	122	314	449	525
M22	166	428	613	716
M24	211	543	777	908
M27	309	796	1139	1331

CHECK HARDWARE DAILY FOR DAMAGE, WEAR, & LOOSENESS. TIGHTEN AS NEEDED

BILL OF MATERIALS

6200-005 – TWISTER POLY CLOSING WHEEL KIT

1 – 6200-169 RH Poly Wheel Assembly, 1 – 6200-171 LH Poly Wheel Assembly, 6 – 2526-453 5/8 SAE Flat Washer

6200-006 – TWISTER POLY CLOSING WHEEL INSERT KIT

1 – 6200-454 RH Poly Twister Ring, 1 – 6200-458 LH Poly Twister Ring, 6 – 2526-453 5/8 SAE Flat Washer

6200-007 – TWISTER WHEEL KIT, SHORT TOOTH POLY

1 – 6200-176 RH Short Tooth Twister Wheel Assembly, 1 – 6200-177 LH Short Tooth Twister Wheel Assembly, 6 – 2526-453 5/8 SAE Flat Washer

6200-008 – TWISTER WHEEL INSERT KIT, SHORT TOOTH POLY

1 – 6200-475 RH Short Poly Spike Ring, 1 – 6200-476 LH Short Poly Spike Ring, 6 – 2526-453 5/8 SAE Flat Washer

6200-009 – CAST TWISTER CLOSING WHEEL KIT

1 – 6200-178 RH Cast Twister Wheel Assembly, 1 – 6200-179 LH Cast Twister Wheel Assembly, 2 – 6200-483 1"OD X 0.172"Wall X .5"L Bushing, 6 – 2526-453 5/8 SAE Flat Washer

6200-030 – CNH 1200 SERIES TWISTER CONVERSION KIT WITH TWISTER POLY SPIKE WHEELS

1 – 6200-169 RH Poly Wheel Assembly, 1 – 6200-171 LH Poly Wheel Assembly, 1 – 6200-205 Twister Wheel Mount (CNH 1200), 2 – 2502-240 3/8-16 X 2 HHCS Gr 5 ZP, 2 – 2502-334 5/8-11 X 4 ½ HHCS Gr 5 ZP, 2 – 2520-452 5/8-11 Hex Nut Gr 8 ZP, 2 – 2520-601 3/8-16 Hex Top Lock Nut Gr C ZP, 2 – 2525-451 5/8 Medium Lock Washer ZP, 8 – 2526-453 5/8 SAE Flat Washer, 2) 6200-331 Wheel Bushing

6200-031 – CNH 2000 SERIES TWISTER CONVERSION KIT WITH TWISTER POLY SPIKE WHEELS

1 – 6200-169 RH Poly Wheel Assembly, 1 – 6200-171 LH Poly Wheel Assembly, 1 – 6200-206 Twister Wheel Mount CNH 2000, 2 – 2502-324 5/8-11 X 3 ½ HHCS Gr5 ZP, 2 – 2520-603 5/8-11 Hex Top Lock GR C ZP, 4 – 2526-455 Washer 21/32 X 1 ¼ X ¼, 2 – 2984-330 9/16" Chrome Plated Bushing

6200-036 – CAST TWISTER WHEEL INSERT KIT

1 – 6200-543 16 TOOTH CAST TWISTER RING LH, 1 – 6200-544 16 TOOTH CAST TWISTER RING RH, 6 – 2526-453 5/8 SAE FLATWASHER ZP

6200-039 – CAST TWISTER WHEEL KIT

1 – 6200-900 CAST TWISTER CLOSING WHEEL ASSEMBLY RH, 1 – 6200-901 CAST TWISTER CLOSING WHEEL ASSEMBLY LH, 6 – 2526-453 5/8 SAE FLATWASHER ZP

6200-053 – CNH 1200 SERIES CONVERSION KIT, LESS WHEELS

2 – 2502-240 3/8-16 X 2 HHCS GR 5 ZP, 2 – 2502-334 5/8-11 X 4 ½ HHCS GR 5 ZP, 2 – 2520-452 5/8-11 Hex Nut GR 8 ZP, , 2 – 2520-601 3/8-16 Hex Top Lock Lock Nut GR C ZP, 2 – 2525-451 5/8 Med Lock Washer ZP, 8 – 2526-453 5/8 SAE Flat Washer ZP, 2 – 6200-331 Wheel Bushing, 1 – 6200-205 Twister Wheel Mount W.A.

6200-054 – CNH 2000 SERIES CONVERSION KIT, LESS WHEELS

2 – 2502-324 5/8-11 X 3 ½ HHCS GR 5 ZP, 2 – 2520-603 5/8-11 Hex Top Lock Nut GR C ZP, 4 – 2526-455 21/32 X 1 ¼ X ¼ Washer, 2 – 2984-330 9/16 Chrome Plated Bushing, 1 – 6200-206 Twister Wheel Mount W.A., CNH 2000

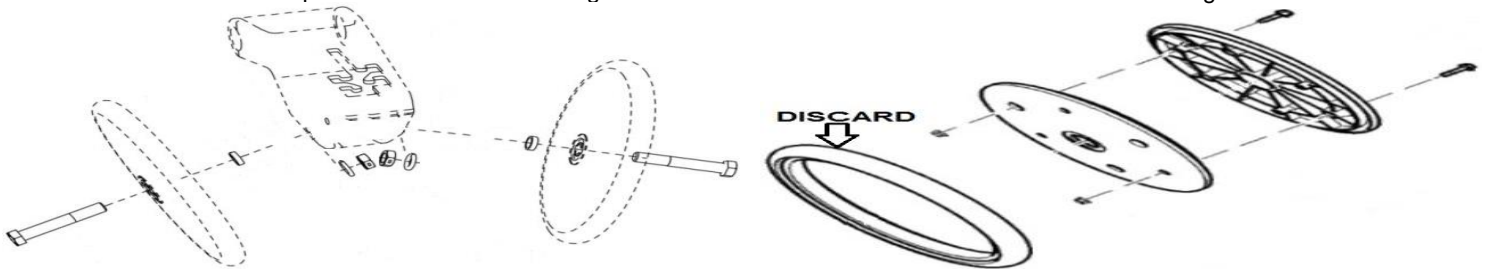
6200-183 – CLOSE WHEEL STUD KIT, 7000 DEERE

2 – 2520-603 5/8-11 Hex Top Lock Nut, 2 – 2530-155 ¼ X 1 ¼ Roll Pin, 6000-336 Bushing Pivot, 2 – 6200-484 Wheel Spindle

ASSEMBLY INSTRUCTION

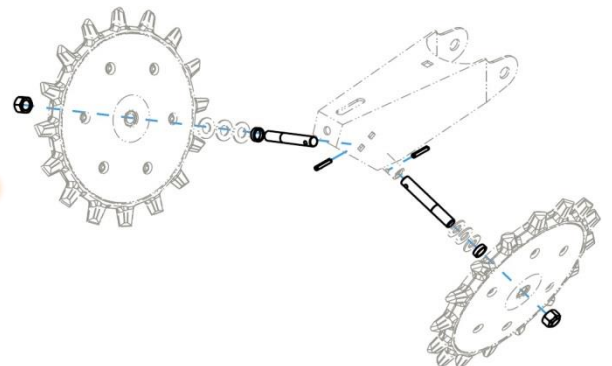
STEP 1: Remove the existing closing wheels that are currently on all rows that will be equipped with the Twister closing wheel. Keep all existing hardware. If you are installing the Ring Insert option, remove the hardware from the side wheels & discard the rubber ring.

NOTE: DO NOT pry the side wheels apart as it may cause damage to the hub. A good method to use for separating the wheel assembly is to use a 5 gallon bucket, a deep well socket, and a hammer. Place the wheel assembly on the 5 gallon bucket so that just the rubber ring is on the bucket. Place the deep well socket on the bearing & hammer on the socket until the bottom shield & bearing falls into the bucket.



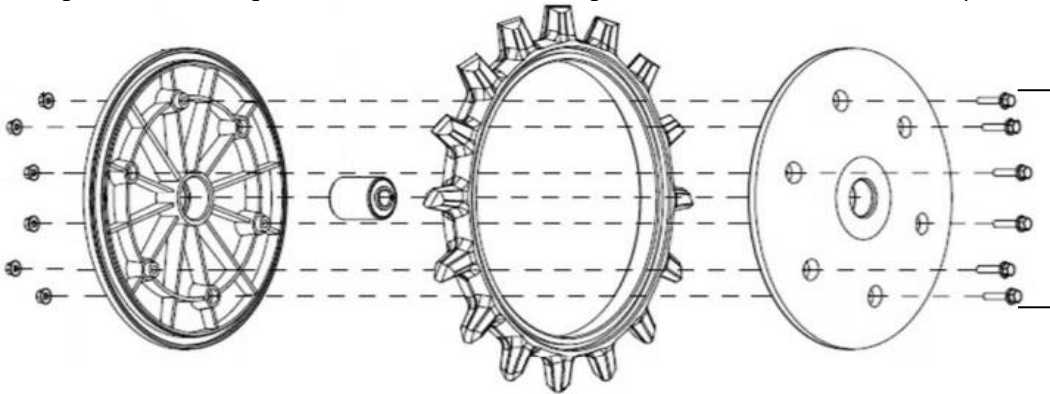
JOHN DEERE 7000/7100 AND KINZE (PRE-1993) WITH THE WATER PUMP STYLE BEARINGS WILL REQUIRE A STUD ADAPTER KIT, YETTER PART # 6200-183. →

6200-104 Yetter V Close Wheel Kit (JD 7000 & 7100) or 6200-184 Yetter V Close Wheel Kit (JD 7200 & 7300) can be ordered to replace the original closing tail piece to use similar close wheel mounting hardware like a JD Maxemerge Plus – current row unit tail piece.



ASSEMBLY INSTRUCTIONS

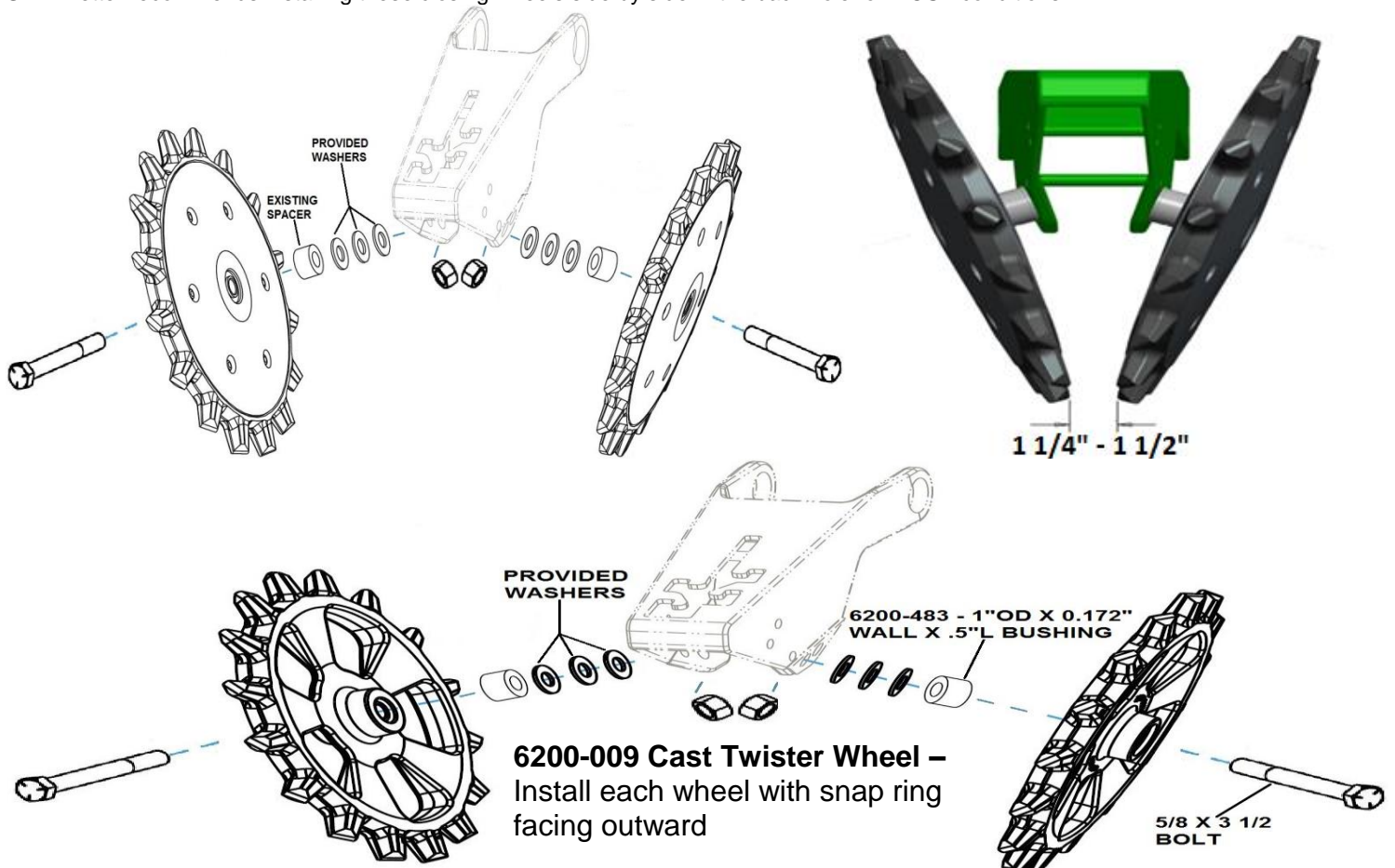
STEP 2: (IF APPLICABLE) Install the 6200-006 Twister Poly Insert Kit, 6200-008 Short Twister Poly Insert Kit, or 6200-036 Cast Twister Insert Kit on the original wheel halves. The orientation of the Insert does not matter for this particular assembly process. Place the Ring Insert on the side wheel with bearing, place the other side wheel on the other side of the ring (make sure each groove on the Insert aligns with the lip on each side wheel), & use a vice/press to pop the side wheel back on the bearing. Verify the outer lip on each side wheel is fully seated & tight in the groove on the Ring Insert & then install the existing hardware on the side wheels, torque to 90 inch/lbs, loosen & then tighten to 50 inch/lbs.



When assembling wheel halves to poly or cast insert ring, torque M6 bolts to 90 inch/lbs, then loosen & retighten to 50inch/lbs

STEP 3: Install the LH Twister wheel assembly (stamped with an L) to the left side of the closing wheel tail piece & install the RH Twister wheel assembly (stamped with an R) to the right side of the closing wheel tail piece. Left/right is determined by standing behind the planter facing direction of travel. The L & R should be on the outside or away from the row. Slide the existing bolt through the wheel, put the existing spacer over the bolt, slide bolt into the back hole, & fasten with existing nut. Install both wheels & then measure the closest contact point at the bottom of the wheel assemblies. The measurement needs to be between 1 1/4" – 1 1/2". The amount of spacers used will vary depending on the planter's closing wheel tail unit. In some situations, additional spacers may need purchased OR not all provided washers need used.

NOTE: Yetter recommends installing these closing wheels side by side in the back hole for MOST conditions.

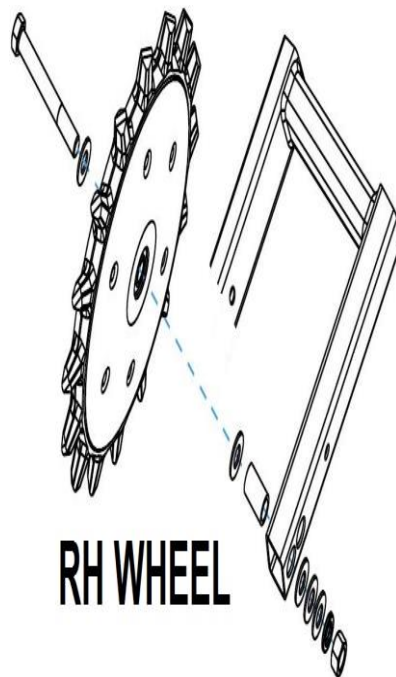
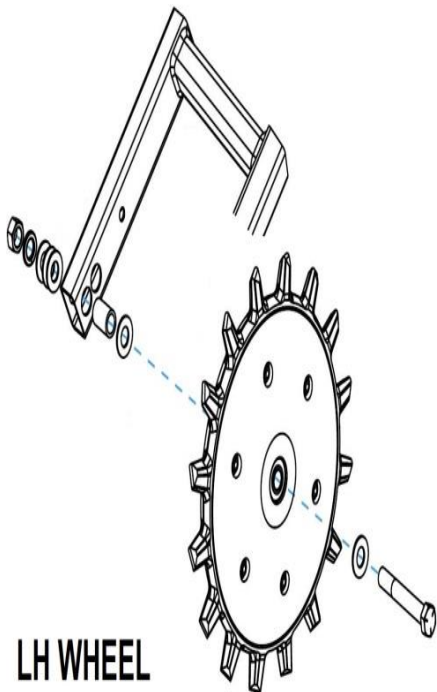
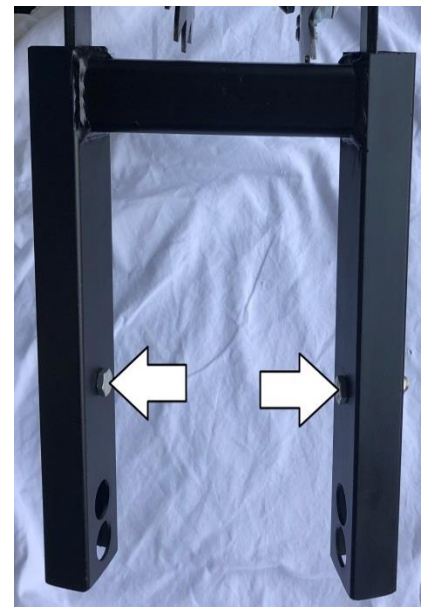
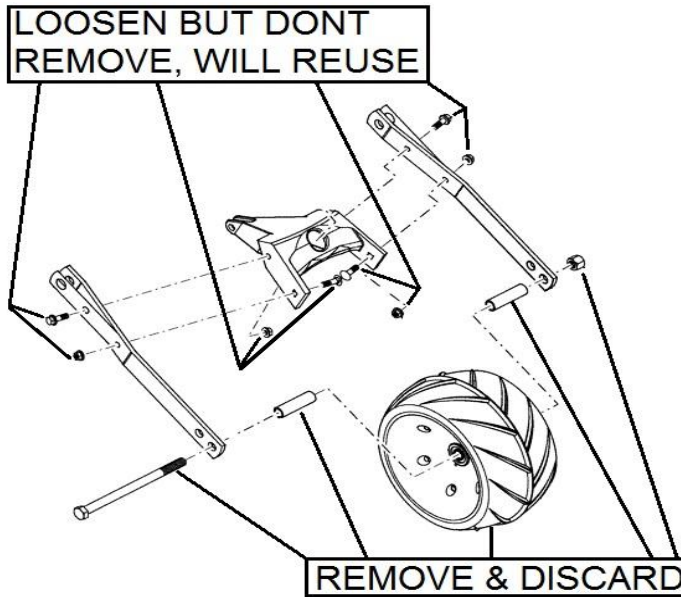


6200-009 Cast Twister Wheel –
Install each wheel with snap ring facing outward

NOTE: It is recommended to have 2 twister wheels per row with the closest contact point being 1 1/4" – 1 1/2". Some planter closing wheel tail units will not allow you to achieve 1 1/4" – 1 1/2". In these situations, use the same amount of spacers on each wheel & assemble the wheels as close to 1 1/4" – 1 1/2" as possible. If setting row units to have 1 twister wheel & 1 rubber wheel, assemble the first row using 2 twister wheels & spacers to get as close to 1 1/4" 1 1/2" as possible. Remove 1 twister wheel & replace with rubber wheel using the original rubber wheel spacer(s). If you prefer to offset the rubber closing wheel from the twister wheel, run the twister wheel in the front hole & the rubber wheel in the back. Cast Twister spacing may need to be wider. **WIDER SPACING MAY REQUIRE A LONGER BOLT TO BE USED FOR ASSEMBLING THE WHEEL TO THE CLOSING WHEEL TAIL PIECE!**

6200-030/053 CNH 1200 CONVERSION ASSEMBLY INSTRUCTIONS

- STEP 1:** Remove the CNH Packer Wheel by removing the axle bolt, nut, & spacers. Loosen the 2) 3/8 bolts on each press wheel arm.
- STEP 2:** Install the 6200-205 Twister Wheel Mount using 2) 3/8-16 X 2 1/2 HHCS GR 5 ZP bolts, 2) 2525-251 3/8 Lock Washers, & 2) 2520-251 3/8 Hex Nuts. These 3/8 bolts will pass through the same hole on the CNH unit that the packer wheel axle bolt went through. Tighten the 2) 3/8 bolts on each press arm.
- STEP 3:** Attach the LH Wheel (stamped with an L & an arrow) to the inside of the LH side of the Twister Wheel Mount. Place 1) 2526-453 5/8 Flat Washer on 1) 2502-327 5/8-11 X 5 HHCS GR 5 ZP, insert the bolt through the LH wheel assembly, place another 5/8 Flat Washer over the bolt, place 1) 6200-331 wheel bushing over the bolt, insert the bolt/wheel bushing through the back hole on the LH side of the Twister Wheel Mount (make sure each side of the wheel bushing is flush with the tube), place 3) 5/8 Flat Washers over the bolt, place 1) 2525-451 5/8 Lock Washer over the bolt, & install 1) 2520-452 5/8 Hex Nut.
- STEP 4:** Attach the RH Wheel (stamped with an R & an arrow) to the inside of the RH side of the Twister Wheel Mount. Place 1) 2526-453 5/8 Flat Washer on 1) 2502-327 5/8-11 X 5 HHCS GR 5 ZP, insert the bolt through the RH wheel assembly, place another 5/8 Flat Washer over the bolt, place 1) 6200-331 wheel bushing over the bolt, insert the bolt/wheel bushing through the back hole on the LH side of the Twister Wheel Mount (make sure each side of the wheel bushing is flush with the tube), place 3) 5/8 Flat Washers over the bolt, place 1) 2525-451 5/8 Lock Washer over the bolt, & install 1) 2520-452 5/8 Hex Nut.
- STEP 5:** Check the width of the Twister wheels at the bottom of the wheel at the closest contact point. Assemble the same amount of spacers on each wheel & so that the distance is 1 1/4 - 1 1/2" or as close as possible. Use as many spacers as necessary to achieve correct spacing.



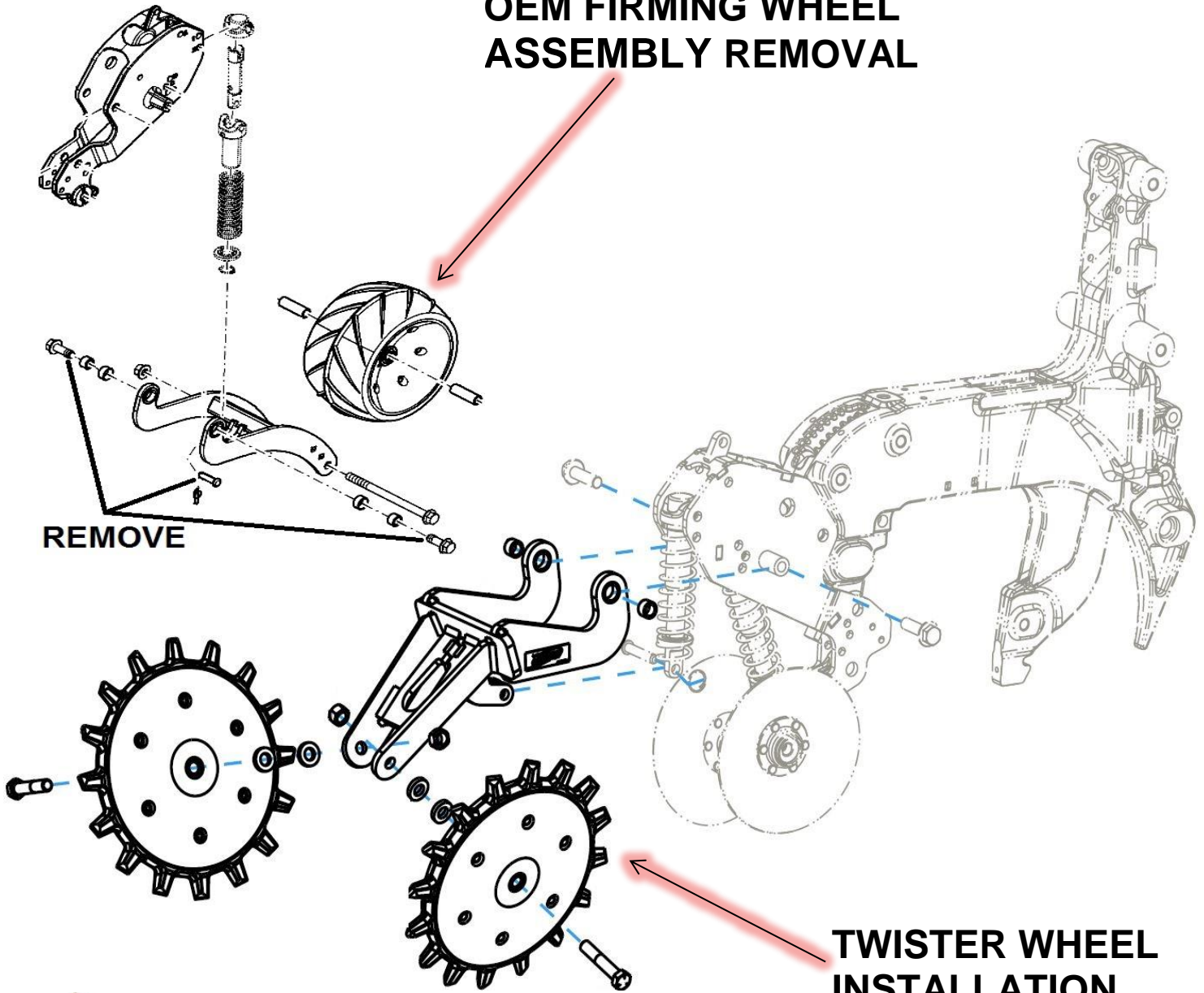
6200-032/054 CNH 2000 CONVERSION ASSEMBLY INSTRUCTIONS

STEP 1: Remove the OEM firming wheel from the CNH row unit: 2 pivot bolts & the pin/clip for the down pressure spring/cylinder.

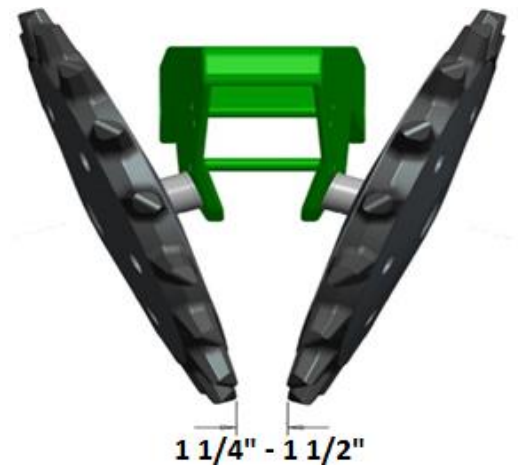
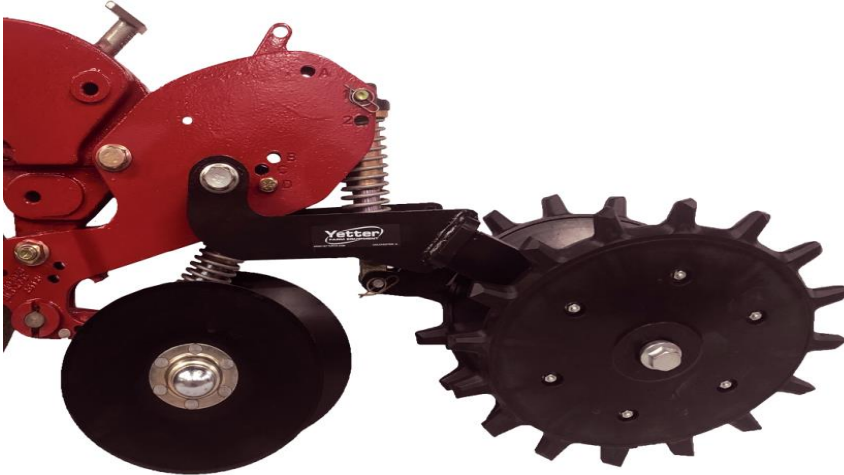
STEP 2: Install the 6200-206 using 2) 2984-330 9/16 bushings, the original OEM bolts, & attach the spring/cylinder using the OEM pin/clip.

STEP 3: Install the Twister Closing Wheels using 5/8 X 3 1/2 bolts, 5/8 top lock nuts, & 21/32 X 1 1/4 X 1/4 washers. Spacing should be set to 1 1/4".

OEM FIRMING WHEEL ASSEMBLY REMOVAL



TWISTER WHEEL INSTALLATION



OPERATION

WIDTH – The distance between wheels may need to be adjusted according to the soil conditions, planting depths, etc. Planting conditions vary so it will be necessary to check for seed to soil contact & condition of the seed furrow as conditions change. In fields with contours & curves, spacing the wheels to 1 ½" and mount side by side in the front holes.

DOWN PRESSURE – Change down pressure on closing wheel tail piece as necessary. Check condition of seedbed by digging around the seed to make sure the sidewall is fractured & no "V" from disc openers remain. Adjust the down pressure as needed. It is not uncommon to use the full range of downforce for varying field conditions.

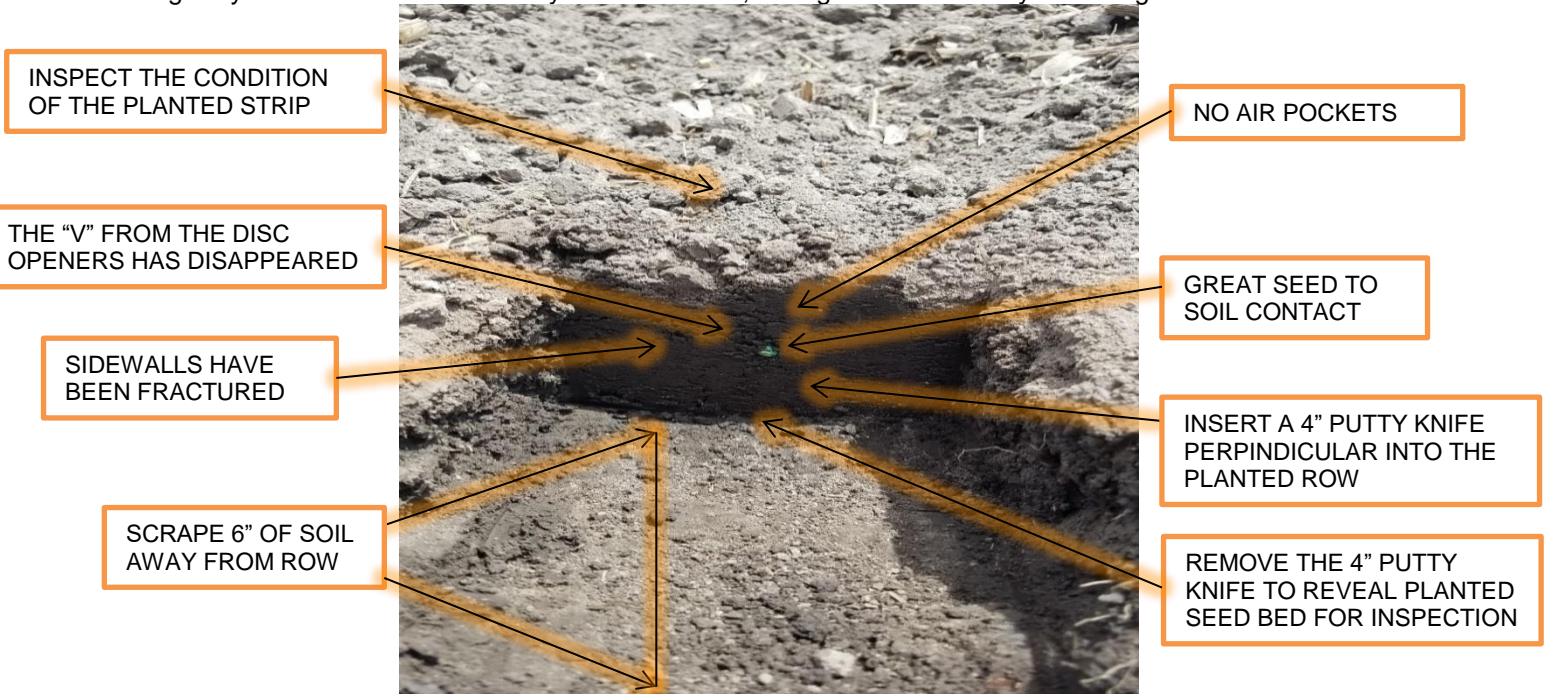
Reasons to **increase** down pressure: Air pockets at seed depth, sidewall of disc openers is still present, open seed trench

Reason to **decrease** down pressure: soil packed too tight around seed inhibiting root growth, closing wheel penetrate too deep in mellow soil

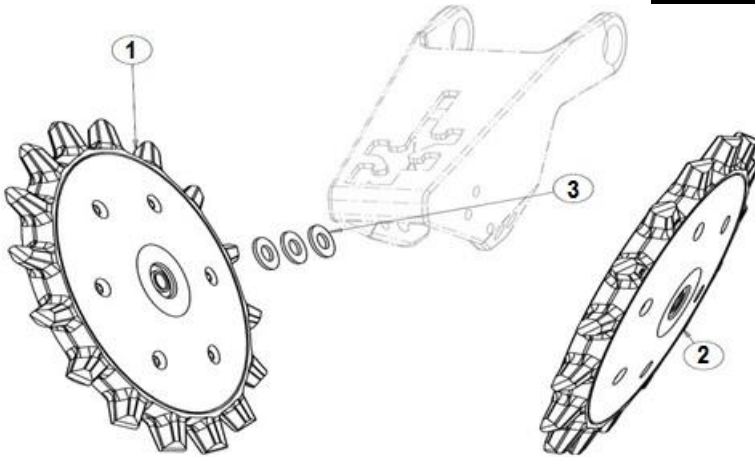
ROCKS – If planting in rocky conditions, stagger wheels so one side is mounted in leading hole & one side is in back hole.

Drag Chains (6200-108, 1 per row) may be added to help level off the planted strip.

If the leading edge of the Twister wheel becomes worn, flip the wheel around & install on the same side of the tail piece the wheel was originally on. The left wheel will stay on the left side, the right wheel will stay on the right side.

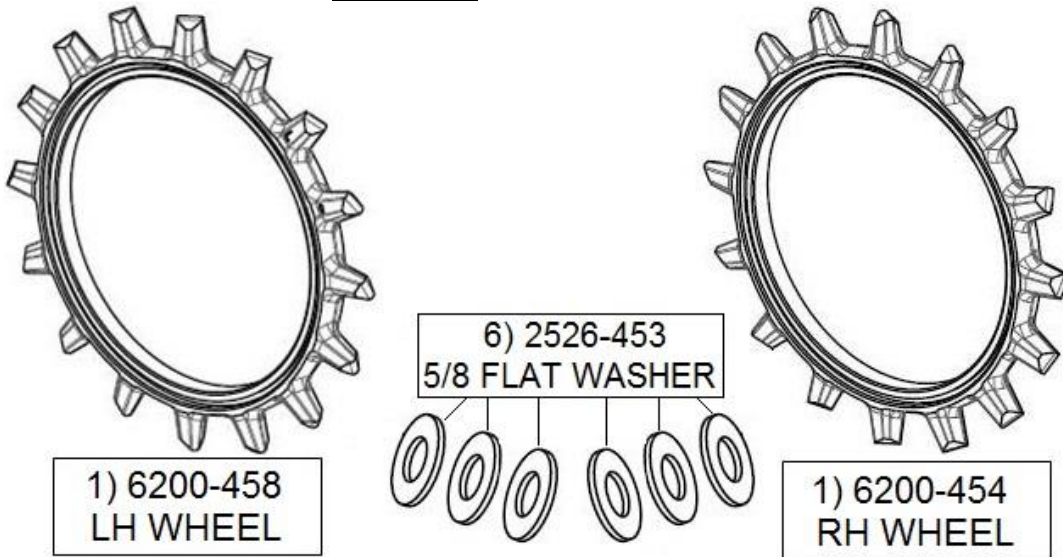


6200-005 TWISTER POLY WHEEL KIT PART ID

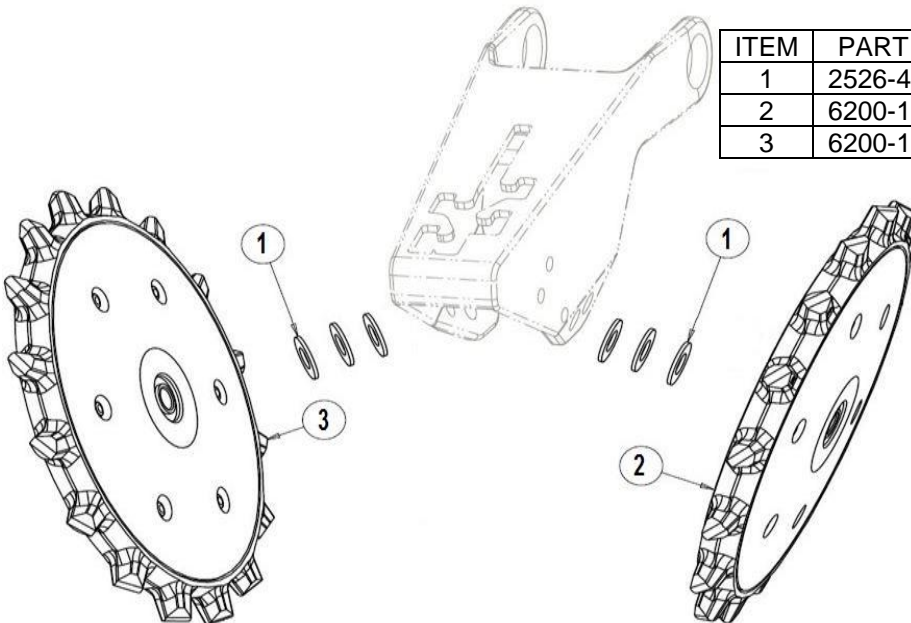


ITEM	PART #	DESCRIPTION	QTY
1	6200-171	LH POLY TWISTER WHEEL	1
2	6200-169	RH POLY TWISTER WHEEL	1
3	2526-453	5/8 SAE FLAT WASHER ZP	6

6200-006 TWISTER POLY WHEEL INSERT KIT PART ID

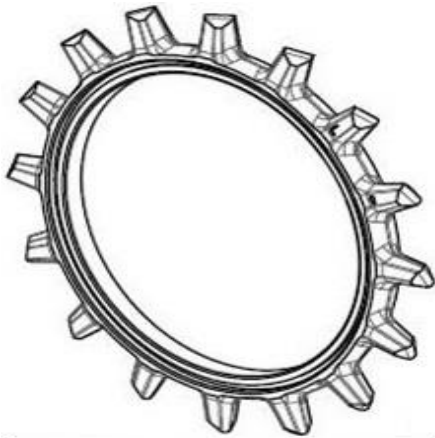


6200-007 SHORT TWISTER POLY WHEEL KIT PART ID

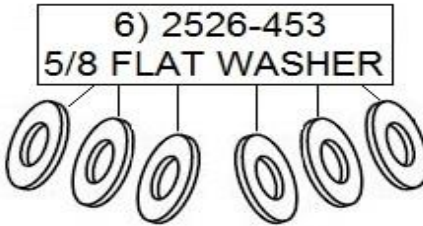


ITEM	PART #	DESCRIPTION	QTY
1	2526-453	5/8 SAE FLAT WASHER ZP	6
2	6200-176	RH POLY TWISTER WHEEL, SHORT	1
3	6200-177	LH POLY TWISTER WHEEL, SHORT	1

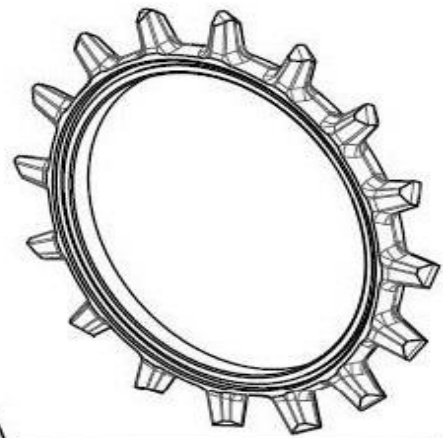
6200-008 SHORT TWISTER POLY WHEEL INSERT KIT PART ID



1) 6200-476
LH WHEEL, SHORT



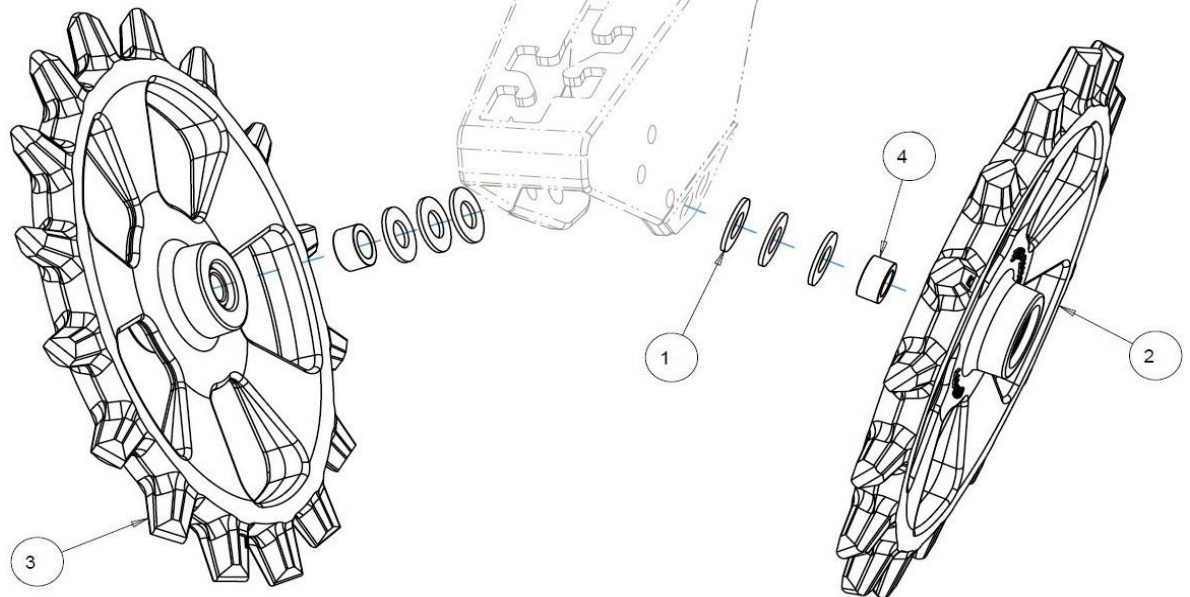
6) 2526-453
5/8 FLAT WASHER



1) 6200-475
RH WHEEL, SHORT

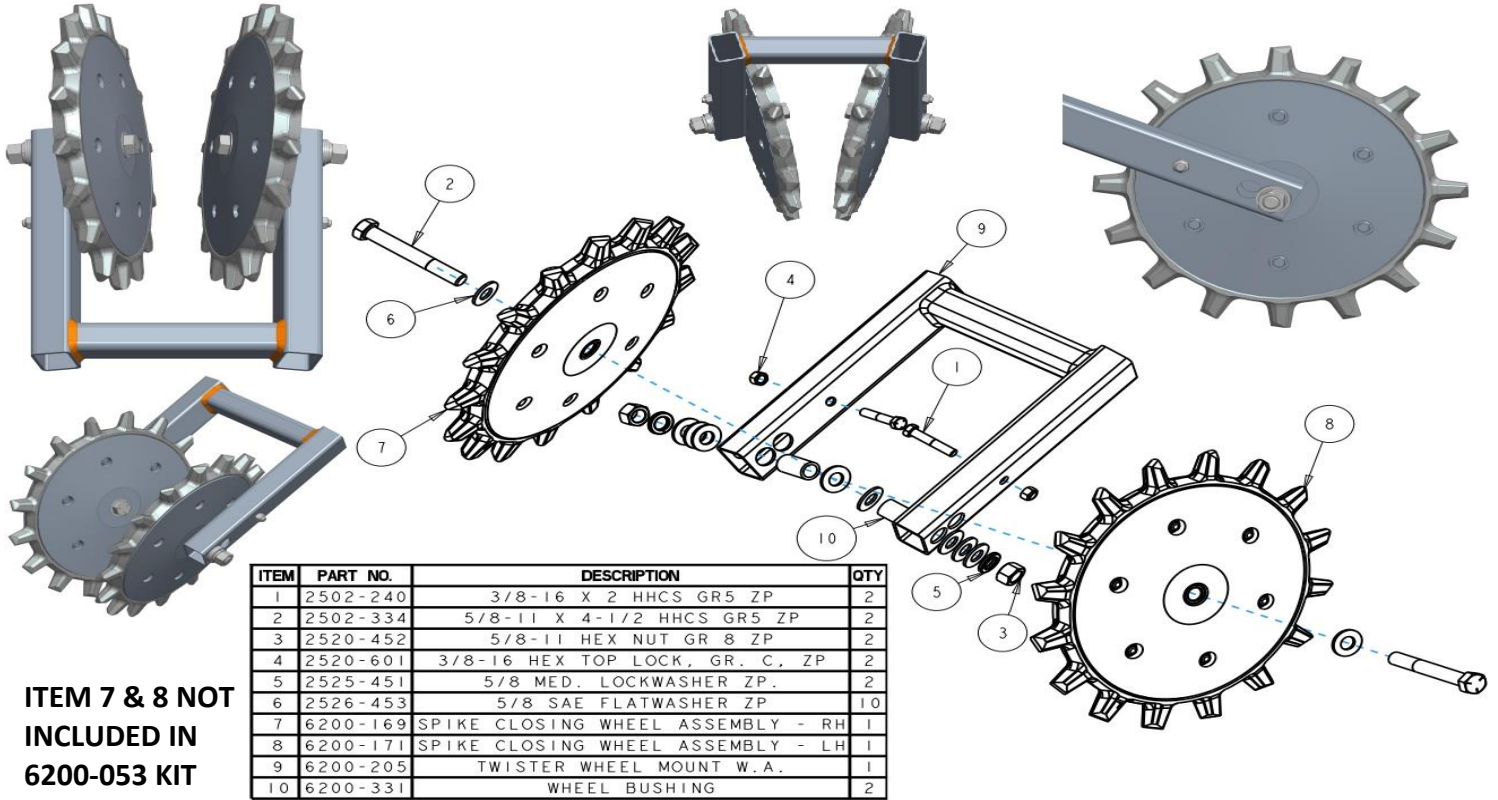
6200-009 CAST TWISTER WHEEL KIT PART ID

ITEM	PART #	DESCRIPTION	QTY
1	2526-453	5/8 SAE FLAT WASHER ZP	6
2	6200-178	RH CAST TWISTER WHEEL ASSEMBLY	1
3	6200-179	LH CAST TWISTER WHEEL ASSEMBLY	1
4	6200-483	1"OD x 0.688"ID X .433"L BUSHING	2



6200-030/053 CNH 1200 CONVERSION PART ID

6200-030 POLY TWISTER WHEEL – 6200-053 LESS CLOSING WHEEL



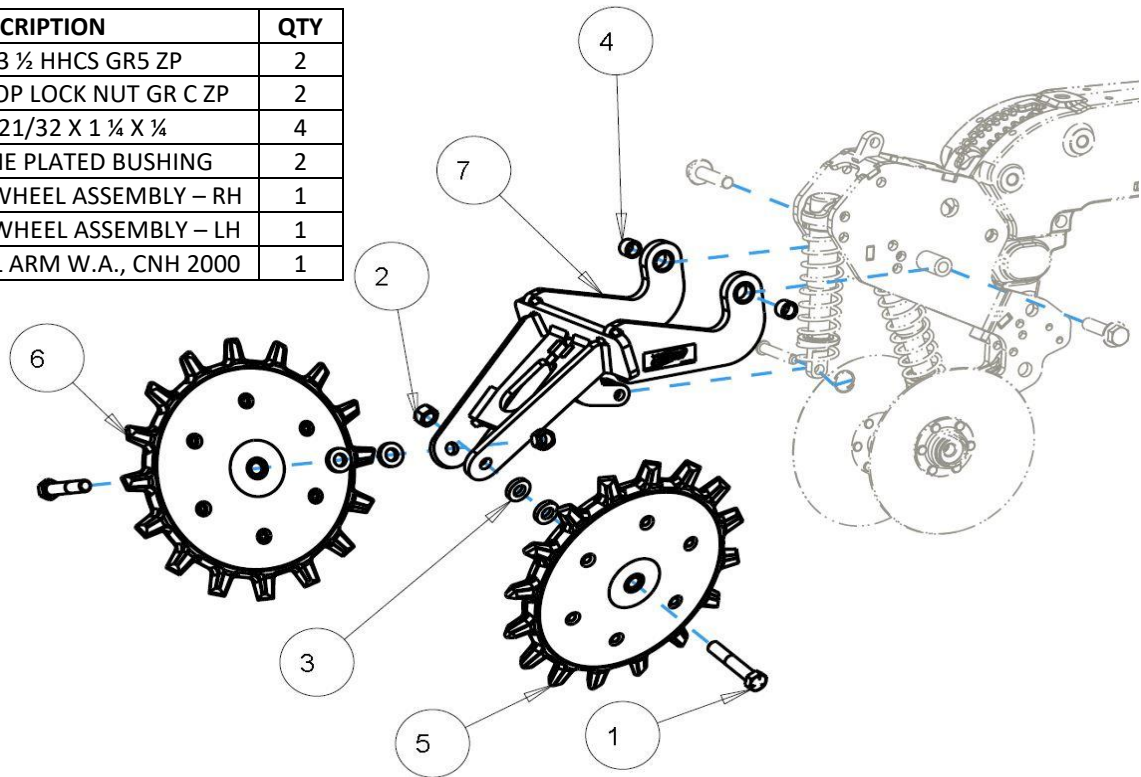
ITEM 7 & 8 NOT INCLUDED IN 6200-053 KIT

6200-031/054 CNH 2000 CONVERSION PART ID

6200-031 POLY TWISTER WHEEL – 6200-054 LESS CLOSING WHEEL

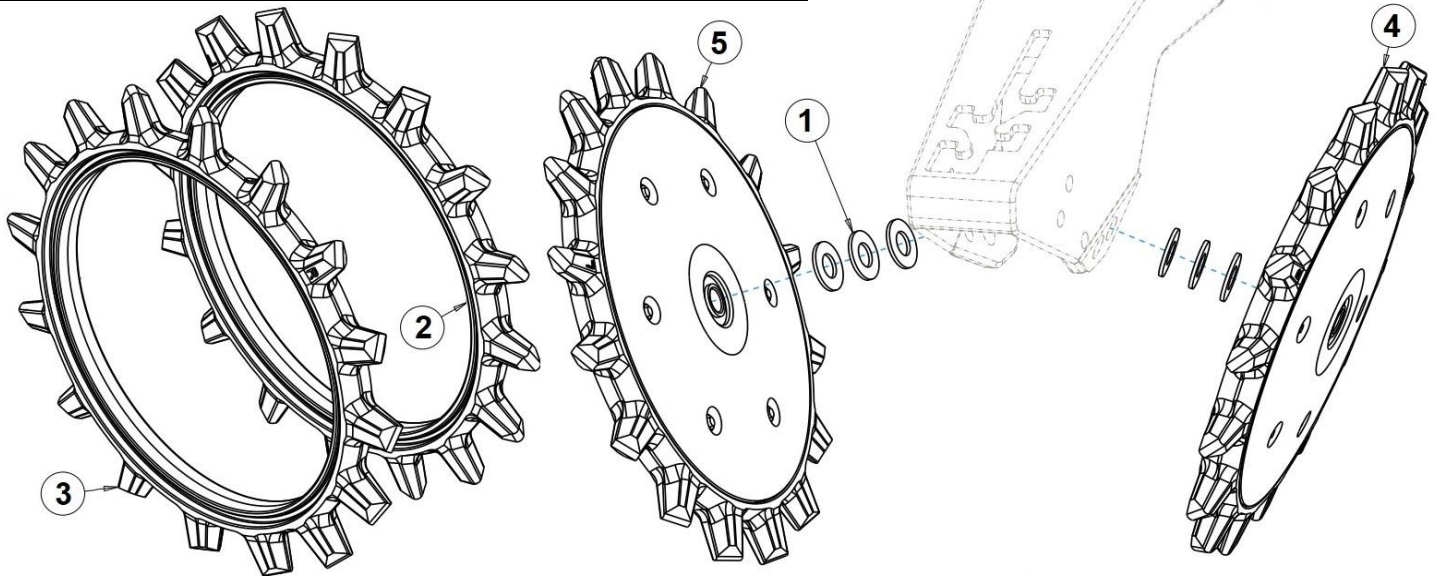
ITEM	PART #	DESCRIPTION	QTY
1	2502-324	5/8 – 11 X 3 ½ HHCS GR5 ZP	2
2	2520-603	5/8 – 11 HEX TOP LOCK NUT GR C ZP	2
3	2526-455	WASHER 21/32 X 1 ¼ X ¼	4
4	2984-330	9/16" CHROME PLATED BUSHING	2
5	6200-169	SPIKE CLOSING WHEEL ASSEMBLY – RH	1
6	6200-171	SPIKE CLOSING WHEEL ASSEMBLY – LH	1
7	6200-206	TWISTER WHEEL ARM W.A., CNH 2000	1

ITEM 5 & 6 NOT INCLUDED IN 6200-054 KIT

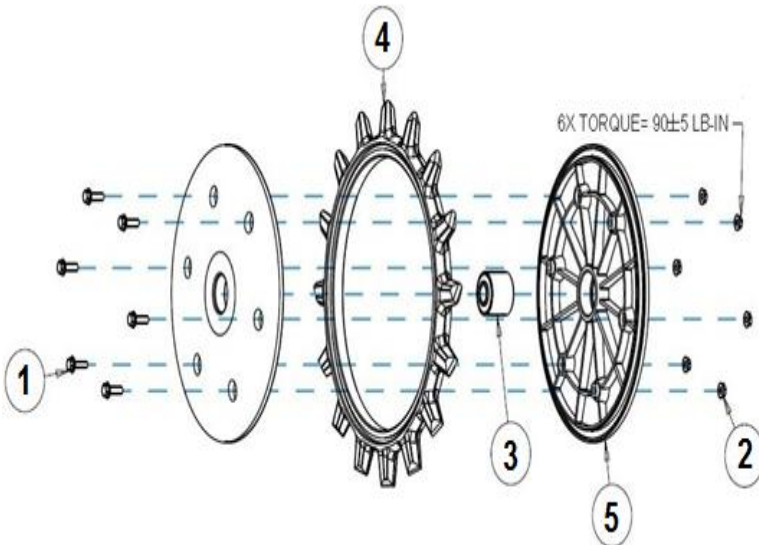


6200-036 (CAST RING) -039(CAST WHEEL ASSEMBLY) PART ID

ITEM	PART #	DESCRIPTION	QTY
1	2526-453	5/8 SAE FLATWASHER ZP (BOTH KITS)	6
2	6200-543	LH CAST TWISTER RING (036 KIT)	1
3	6200-544	RH CAST TWISTER RING (036 KIT)	1
4	6200-900	RH CAST TWISTER WHEEL ASSEMBLY (039 KIT)	1
5	6200-901	LH CAST TWISTER WHEEL ASSEMBLY (039 KIT)	1

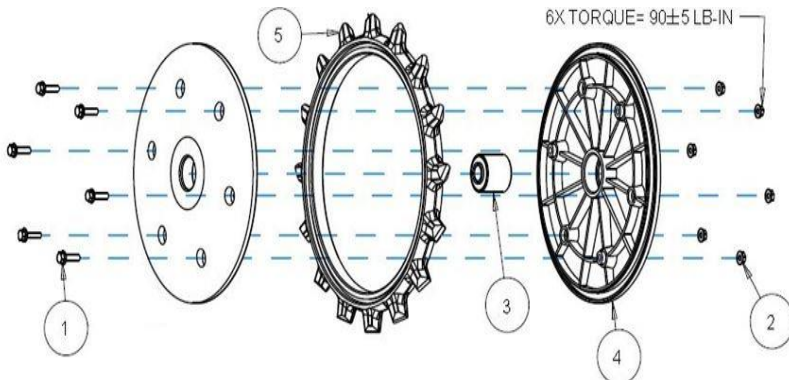


6200-169 / 6200-171 TWISTER POLY WHEEL PART ID



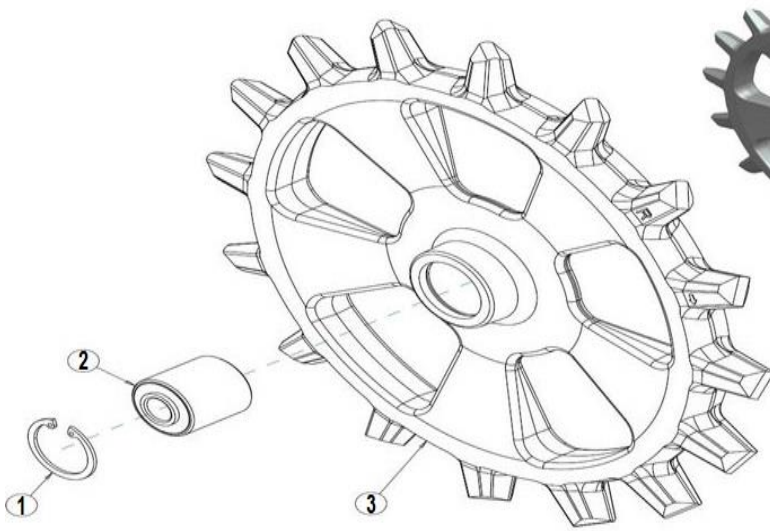
ITEM	PART #	DESCRIPTION	QTY
1	2502-111	M6 X 1 X 25MM GR 8 FL HH BOLT ZP	6
2	2520-160	M6 X 1.0, CRIMP LOCK FL NUT ZP WAXED	6
3	2570-069	40MM BEARING – AN212132 (5203KYY2)	1
4	6200-454	TWISTER WHEEL RH	1
	6200-458	TWISTER WHEEL LH	1
5	6200-455	WHEEL HALF, NYLON	2

6200-176 / 6200-177 SHORT TWISTER POLY WHEEL PART ID



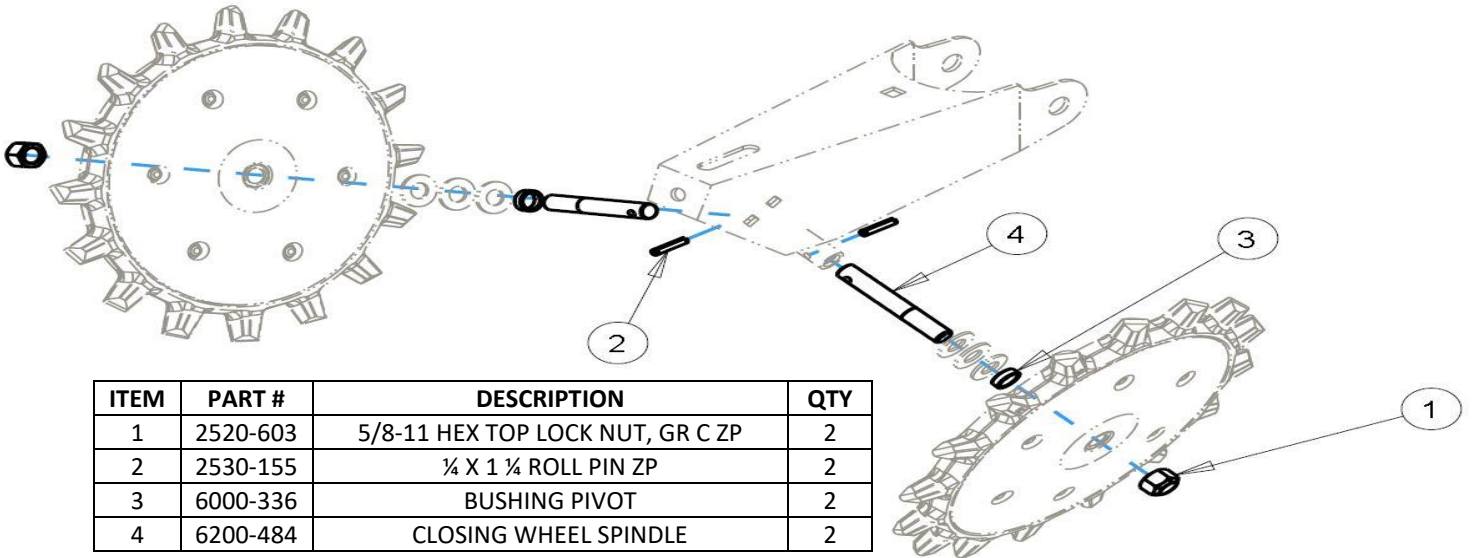
ITEM	PART #	DESCRIPTION	QTY
1	2502-111	M6 X 1 X 25MM GR 8 FL HH BOLT ZP	6
2	2520-160	M6 X 1.0, CRIMP LOCK FL NUT ZP WAXED	6
3	2570-069	40MM BEARING – AN212132 (5203KYY2)	1
4	6200-455	WHEEL HALF, NYLON	2
5	6200-475	TWISTER WHEEL RH, SHORT TOOTH	1
	6200-476	TWISTER WHEEL LH, SHORT TOOTH	1

6200-178 / 6200-179 CAST TWISTER WHEEL PART ID



ITEM	PART #	DESCRIPTION	QTY
1	2550-526	SNAP RING, 40MM BORE	1
2	2570-069	40MM BEARING – AN212132 (5203KYY2)	1
3	6200-479	TWISTER WHEEL, RH, MACHINED	1
	6200-480	TWISTER WHEEL, LH, MACHINED	1

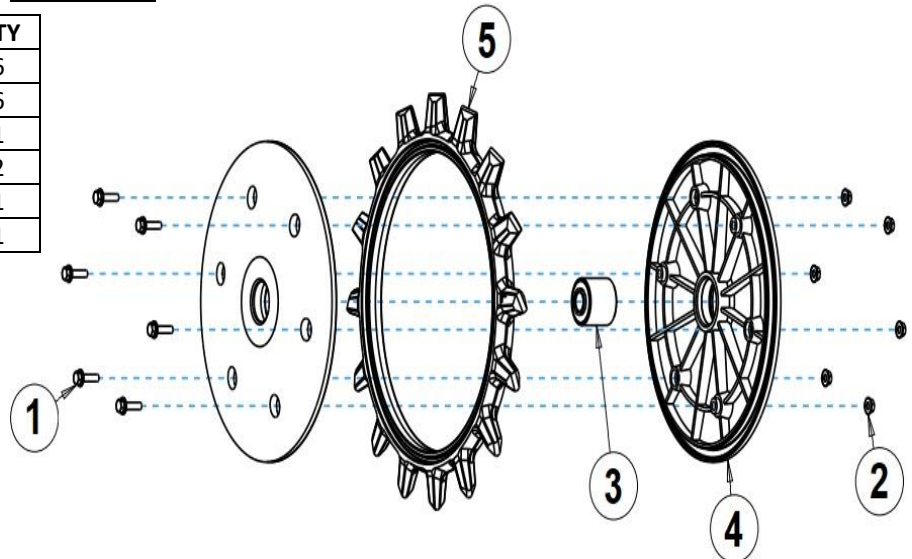
6200-183 TWISTER WHEEL STUD KIT PART ID



ITEM	PART #	DESCRIPTION	QTY
1	2520-603	5/8-11 HEX TOP LOCK NUT, GR C ZP	2
2	2530-155	¼ X 1 ¼ ROLL PIN ZP	2
3	6000-336	BUSHING PIVOT	2
4	6200-484	CLOSING WHEEL SPINDLE	2

6200-900 (RH) / 901(LH) CAST TWISTER WHEEL ASSEMBLY

ITEM	PART #	DESCRIPTION	QTY
1	2502-111	M6 X 25MM BOLT, GR8	6
2	2520-160	M6 X 1.0 CRIMP LOCK NUT	6
3	2570-069	40MM BEARING	1
4	6200-455	WHEEL HALF, NYLON	2
5	6200-543	CAST TWISTER RING, LH	1
	6200-544	CAST TWISTER RING, RH	1







A Tradition of Solutions since 1930

Yetter Farm Equipment Co

PO BOX 358 109 S. McDonough

Colchester, IL 62326-0358

Phone: 309-776-4111

Toll Free: 800-447-5777

Email: info@yetterco.com

For updated models and manuals visit the Yetter website:

www.yetterco.com

© Yetter Farm Equipment Co. All Rights Reserved

2565-797_REV_E • 11/2023