



**6000-002 CLOSE WHEEL ATTACHMENT ASSEMBLY**  
2565-402-REV-A • 03/2020



**YETTER MANUFACTURING CO.**

*FOUNDED 1930*

Colchester, IL 62326-0358

Toll free: 800/447-5777

309/776-3222 (Fax)

Website: [www.yetterco.com](http://www.yetterco.com)

E-mail: [info@yetterco.com](mailto:info@yetterco.com)

**YETTER**

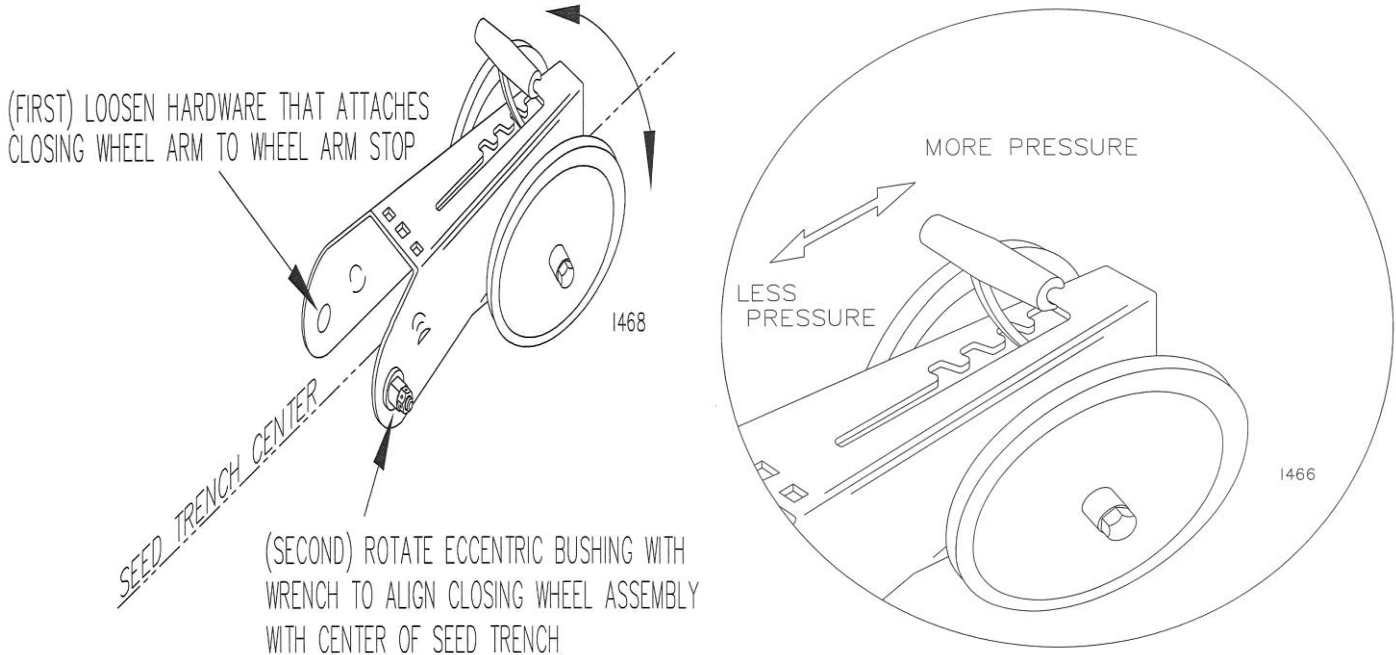


## “V” CLOSING WHEEL ADJUSTMENT

**WARNING:** Raise planter to transport position and install all safety locks before adjusting closing wheels.

Angled closing wheels trail behind the seed opener to close the seed trench left by the opener. Adjusting spring pressure permits proper firming of the soil beside the seed rather than directly above it. An eccentric bushing allows centering the closing wheel on the row to properly apply pressure on both sides of the seed when closing the trench. When adjusted properly, the closing wheels are centered, tighten the bolts holding the closing wheel to the row unit.

**(CLOSING WHEEL ASSEMBLY SHOWN NOT ASSEMBLED TO ROW UNIT FOR VISUAL CLARITY)**

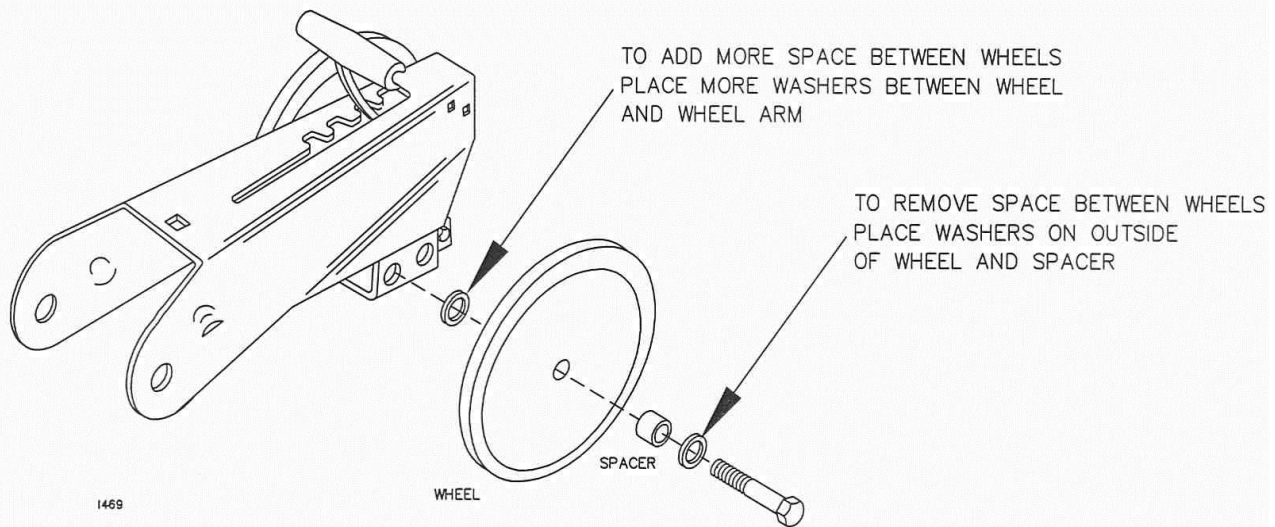


After setting the planter depth to the correct depth, check the operation of the closing wheels. The closing wheels must apply enough down pressure to close the seed trench and insure good seed to soil contact. If the seed trench is not being closed properly increase the closing wheel pressure by moving the closing wheel lever rearward.

Closing wheels must not sink into the soil too deeply or the seed placement could be adversely affected, especially when planting shallow. If the closing wheels are applying too much pressure and the seed is being moved by the closing wheels, decrease by moving the lever forward.

Light soils usually require less down pressure, heavy soils more down pressure.

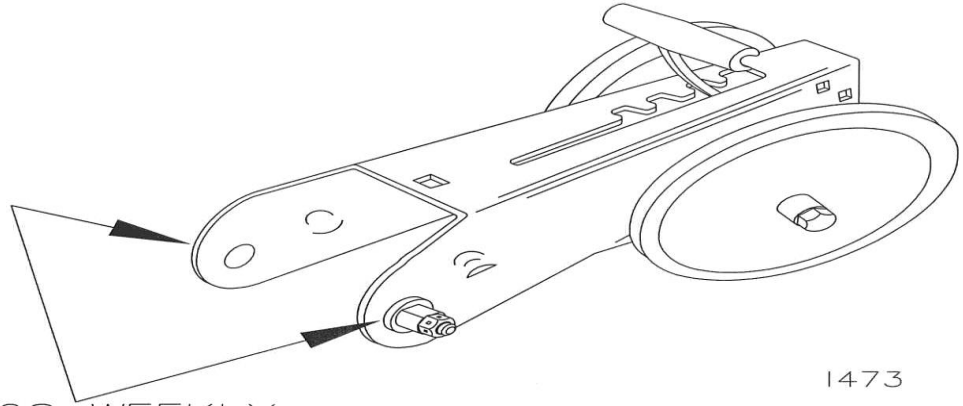
In certain conditions, seed to soil contact and residue flow can be improved by spacing the closing wheels further apart and/or staggering them. To space them further apart, remove the bolt and nut holding the closing wheel to the closing wheel arm, place 5/8" washers (not provided) between the closing wheel and the arm and re-assemble the closing wheel to the arm.



Two mounting holes for each closing wheel are provided in the closing wheel arm. To stagger the closing wheels, remove one closing wheel from the arm and re-assemble it in the other hole in the closing wheel arm.

# LUBRICATION

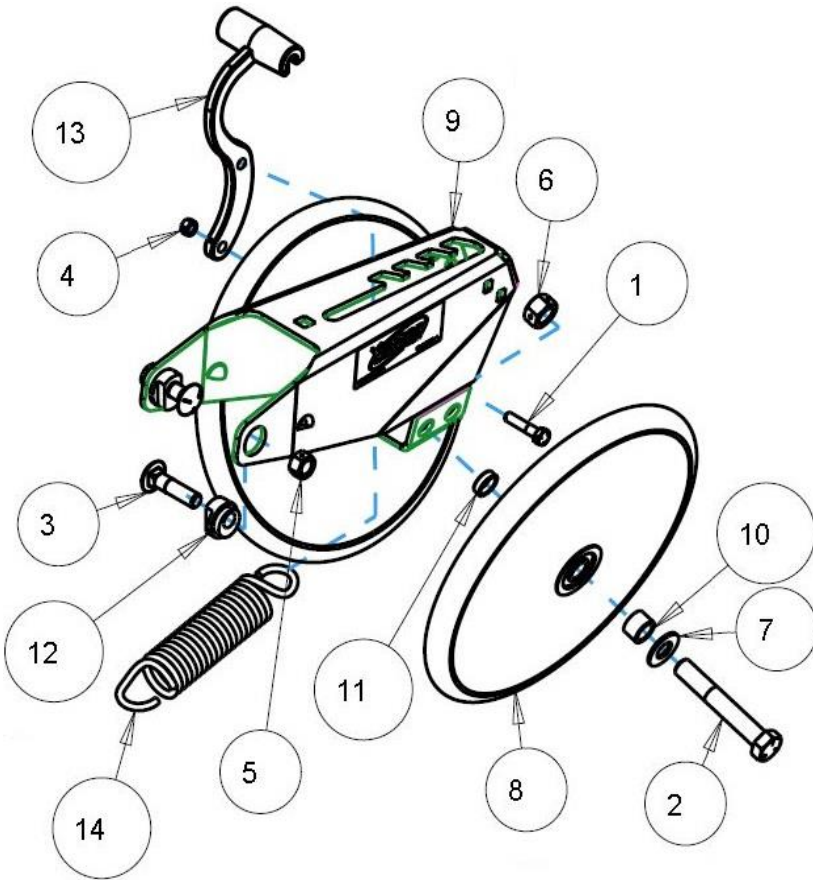
Oil the closing wheel bushings weekly with a general-purpose oil.  
 (CLOSING WHEEL ASSEMBLY SHOWN NOT ASSEMBLED TO ROW UNIT FOR VISUAL CLARITY)



1473

OIL BUSHINGS WEEKLY

## ASSEMBLY & PARTS IDENTIFICATION



ITEM	PART #	DESCRIPTION	QTY
1	2502-206	5/16 – 18 X 1 ½ HHCS GR 5 ZP	1
2	2502-336	5/8 – 11 X 4 HHCS GR 5 ZP	2
3	2505-345	½ - 13 X 2 CARRIAGE BOLT GR 5 ZP	2
4	2520-205	5/16 – 18 LOCK HEX NUT, GR A ZP	1
5	2520-357	½ - 13 LOCK HEX NUT, GR B ZP	2
6	2520-459	5/8 – 11 LOCK HEX NUT, GR B ZP	2
7	2526-453	5/8 SAE FLAT WASHER ZP	2
8	2570-751	RUBBER CLOSING WHEEL	2
9	6000-247	CLOSE WHEEL ARM (PAINTED)	1
10	6000-335	9/16" BUSHING	2
11	6000-336	BUSHING PIVOT	2
12	6000-523	ECCENTRIC BUSHING CLOSE WHEEL	2
13	6000-524	CLOSE WHEEL LEVER	1
14	6000-525	CLOSE WHEEL SPRING (PAINTED)	1

## TROUBLESHOOTING

Problem	Cause	Solution
Closing wheel(s) leave severe imprint in soil.	Too much closing wheel down pressure.	Reduce closing wheel pressure.
Closing wheel(s) not firming soil around seed.	Insufficient closing wheel pressure.	Increase closing wheel pressure.
Closing wheel running on top of seed trench.	Closing wheels not centered.	Rotate eccentric bushing(s) to center closing wheels.



A Tradition of Solutions since 1930

Yetter Farm Equipment Co

PO BOX 358 109 S. McDonough

Colchester, IL 62326-0358

Phone: 309-776-4111

Toll Free: 800-447-5777

Email: [info@yetterco.com](mailto:info@yetterco.com)

For updated models and manuals visit the Yetter website:

[www.yetterco.com](http://www.yetterco.com)

© Yetter Farm Equipment Co. All Rights Reserved

2565-402-REV-A • 03/2020