

Yetter

FARM EQUIPMENT

5000 SERIES STALK DEVASTATOR DRAGO GT MODEL CORN HEADS

OWNER'S MANUAL
PART IDENTIFICATION
2565-969_REV_C • 03/2024



YETTER MANUFACTURING CO.

Founded 1930

Colchester, IL 62326

Toll free: (800)447-5777.

Fax: (309)776-3222

Website: yetterco.com

E-mail: info@yetterco.com

YETTER

TABLE OF CONTENTS

FOREWARD.....	2
WARRANTY.....	2
SAFETY INFORMATION.....	3 – 5
OPERATION CHECKLIST/TORQUE.....	6
BILL OF MATERIALS / TOOLS NEEDED.....	7
PICTORIAL PART LIST.....	7
ASSEMBLY INSTRUCTIONS.....	8 – 12
LOCK UP / OPERATION / MAINTENANCE	12 – 13
PART IDENTIFICATION.....	14 – 21
TROUBLESHOOTING.....	22

FOREWORD

You've just joined an exclusive but rapidly growing club.

For our part, we want to welcome you to the group and thank you for buying a Yetter product.

We hope your new Yetter products will help you achieve both goals-increase your productivity and increase your efficiency so that you may generate more profit.

This operator's manual has been designed into 4 major sections: Foreword, Safety Precautions, Installation Instructions and Parts Breakdown.

This **SAFETY ALERT SYMBOL** indicates important safety messages in the manual. When you see this symbol, be alert to the possibility of **PERSONAL INJURY** & carefully read the message that follows.

The word **NOTE** is used to convey information that is out of context with the manual text. It contains special information such as specifications, techniques and reference information of a supplementary nature.

The word **IMPORTANT** is used in the text when immediate damage will occur to the machine due to improper technique or operation.

Important will apply to the same information as specified by note only of an immediate and urgent nature.

It is the responsibility of the user to read the operator's manual and comply with the safe and correct operating procedure and to lubricate and maintain the product according to the maintenance schedule in the operator's manual.

The user is responsible for inspecting his machine and for having parts repaired or replaced when continued use of the product would cause damage or excessive wear to the other parts.

It is the user's responsibility to deliver his machine to the Yetter dealer who sold him the product for service or replacement of defective parts, which are covered by the warranty policy.

If you are unable to understand or follow the instructions provided in this publication, consult your local Yetter dealer or contact:

YETTER MANUFACTURING CO.

309/776-4111

800/447-5777

309/776-3222 (FAX)

Website: www.yetterco.com

WARRANTY

Yetter Manufacturing warrants all products manufactured and sold by it against defects in material. This warranty being expressly limited to replacement at the factory of such parts or products as shall appear to be defective after inspection. This warranty does not obligate the Company to bear cost of labor in replacement of parts. It is the policy of the Company to make improvements without incurring obligations to add them to any unit already sold. No warranty is made or authorized to be made, other than herein set forth. This warranty is in effect for one year after purchase.

DEALER: _____

Yetter Manufacturing warrants its own products only and cannot be responsible for damages to equipment on which mounted.

BE ALERT!

YOUR SAFETY IS INVOLVED



WATCH FOR THIS SYMBOL. IT POINTS OUT IMPORTANT SAFETY PRECAUTIONS. IT MEANS “ATTENTION – BE ALERT!”

It is your responsibility as an owner, operator, or supervision to know and instruct everyone using this machine at the time of initial assignment and at least annually thereafter, of the proper operation, precautions, and work hazards which exist in the operation of the machine in accordance with OSHA regulations.

Safety Is No Accident

The following safety instructions, combined with common sense, will save your equipment from needless damage and the operator from unnecessary exposure to personal hazard. Pay special attention to the caution notes in the text. Review this manual at least once a year with all operators.



1. Read and understand the operator's manual before operating this machine. Failure to do so is considered a misuse of the equipment.
2. Make sure equipment is secure before operating.
3. Always keep children away from equipment when operating.
4. Make sure everyone that is not directly involved with the operation is out of the work area before beginning operation.
5. Make sure all safety devices, shields, and guards are in place and functional before beginning operation
6. Shut off all power to adjust, service, or clean.
7. Keep hands, feet, and clothing away from moving parts. It is a good idea to remove all jewelry before operating.
8. Inspect the machine periodically during operation for signs of excessive wear, loose fasteners, and unusual noises.

PLEASE READ, VERY IMPORTANT



SECURE CORN HEADER AGAINST UNWANTED LOWERING BY APPLYING THE LOCKING MECHANISM ON THE HYDRAULIC CYLINDERS!



1. Attach head to combine, lock head to combine
2. Raise the head off the ground and engage safety stop on the feeder house cylinder.
3. Turn off combine engine and remove the key

FOLLOW ALL INSTRUCTIONS GIVEN BY THE COMBINE MANUFACTURER

PLEASE READ, VERY IMPORTANT



Subject to the size and weight of the corn header, one or two additional hydraulic cylinders may be required.

The combine manufacturer generally keeps corresponding kits readily available for dealers.

Subject to the design of the corn header and the carrying capacity of different combines, the steering axle may require the fitting of additional weights and the rear tires be filled with ballast.

**FOLLOW ALL INSTRUCTIONS GIVEN BY THE COMBINE
MANUFACTURER**

DEVASTATOR OPERATION CHECKLIST

Please fill this out after the Yetter Stalk Devastator has been installed.

DATE ___/___/___ YETTER KIT # - 5000-___ CORN HEAD MAKE/MODEL_____

COMBINE MAKE/MODEL_____ FRONT TIRE SIZE_____ REAR TIRE SIZE_____

REAR AXLE POSITION_____ SNAPPING ROLLS USING_____ CHOPPING BLADES YES / NO

DECK PLATE ANGLE_____° (USE ANGLE FINDER) SNAPPING ROLL HEIGHT (OPERATING POSITION)____INCHES

HARVEST SPEED_____MPH HEAD SPEED_____ ANGLE TORSION ARM (OPERATING POSITION - USE ANGLE FINDER) _____

HEAD CART INFO:

MAKE/MODEL_____ LENGTH_____ TIRE SIZE_____

SEE PAGE 12 & 13 FOR HEAD & TRAILER ADJUSTMENTS

BOLT TORQUE

Important: Over-tightening hardware can cause just as much damage as under-tightening. Tightening hardware beyond the recommended range can reduce its shock load capacity.

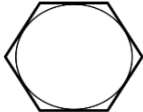



All hardware on the 5000 Devastator is either Grade 5 or Grade 8, unless otherwise noted. Grade 5 cap screws are marked with three radial lines on the head. Grade 8 cap screws are marked with six radial lines on the head. If hardware must be replaced, be sure to replace it with hardware of equal size, strength and thread type. Refer to torque values chart when tightening hardware.

The chart below is a guide for proper torque. Use it unless a specified torque is called out elsewhere in the manual.

Torque is the force applied to the end of the handle or cheater bar, times the length of the handle or bar.

Use a torque wrench wherever possible

The following table shows torque in ft.-lbs. for coarse thread hardware.

Bolt Diameter and Threads per Inch	 Grade 2	 Grade 5	 A-325	 Grade 8
1/4	6		10	14
5/16	12		20	30
3/8 – 16	25		35	50
7/16 – 14	35		55	80
1/2 – 13	55		85	125
9/16 – 12	75		125	175
5/8 – 11	105		170	235
3/4-10	185		305	425
7/8 – 9	170		445	690
1-8	260		670	1030
1 1/8 – 7	365		900	1460
1 1/4 - 7	515		1275	2060
1 3/8 – 6	675		1675	2700
1 1/2 - 6	900		2150	3500
1 3/4 – 5	1410		3500	5600

BILL OF MATERIALS PER KIT

5000-050C – 6R30 Drago GT – 2) 5000-160A Roller Bearing Bolt Bag, 4) 5000-169 Torsion Pivot Assembly, 4) 5000-170 Torsion Mount Bolt Bag, 1) 5000-172 Manual Bag, 2) 5000-272 3R30 Roller, 2) 5000-275A 4R20/3R30 Roller Mount, 2) 5000-277 Torsion Mount, 1) 5000-278 Drago GT Center Pivot, 4) 5000-292 Torsion Arm, 1) 5000-440 Center Backing Plate, 1) 5000-441 Short/Double Backing Plate

5000-051C – 8R30 Drago GT – 3) 5000-160A Roller Bearing Bolt Bag, 6) 5000-169 Torsion Pivot Assembly, 6) 5000-170 Torsion Mount Bolt Bag, 1) 5000-172 Manual Bag, 1) 5000-268 2R30 Roller, 1) 5000-269A 2R30 Roller Mount, 2) 5000-272 3R30 Roller, 2) 5000-275A 4R20/3R30 Roller Mount, 4) 5000-277 Torsion Mount, 1) 5000-278 Drago GT Center Pivot, 6) 5000-292 Torsion Arm, 1) 5000-440 Center Backing Plate, 1) 5000-441 Short/Double Backing Plate

5000-052C – 12R30 Drago GT – 4) 5000-160A Roller Bearing Bolt Bag, 8) 5000-169 Torsion Pivot Assembly, 8) 5000-170 Torsion Mount Bolt Bag, 1) 5000-172 Manual Bag, 1) 5000-2007 Right Offset Torsion Mount, 1) 5000-2008 Left Offset Torsion Mount, 4) 5000-272 3R30 Roller, 4) 5000-275A 4R20/3R30 Roller Mount, 4) 5000-277 Torsion Mount, 1) 5000-278 Drago GT Center Pivot, 8) 5000-292 Torsion Arm, 1) 5000-440 Center Backing Plate, 1) 5000-441 Short/Double Backing Plate

5000-053B – 16R30 Drago GT – 6) 5000-160A Roller Bearing Bolt Bag, 12) 5000-169 Torsion Pivot Assembly, 12) 5000-170 Torsion Mount Bolt Bag, 1) 5000-172 Manual Bag, 3) 5000-2007 Right Offset Torsion Mount, 3) 5000-2008 Left Offset Torsion Mount, 2) 5000-268 2R30 Roller, 2) 5000-269A 2R30 Roller Mount, 4) 5000-272 3R30 Roller, 4) 5000-275A 4R20/3R30 Roller Mount, 4) 5000-277 Torsion Mount 9.25", 1) 5000-278 Drago GT Center Pivot, 12) 5000-292 Torsion Arm, 1) 5000-440 Center Backing Plate, 1) 5000-441 Short/Double Backing Plate

5000-054A – 18R20 Drago GT – 5) 5000-160A Roller Bearing Bolt Bag, 10) 5000-169 Torsion Pivot Assembly, 10) 5000-170 Torsion Mount Bolt Bag, 1) 5000-172 Manual Bag, 5) 5000-2007 Right Offset Torsion Mount, 5) 5000-2008 Left Offset Torsion Mount, 3) 5000-267 4R20 Roller, 2) 5000-273 3R20 Roller, 2) 5000-274A 3R20 Roller Mount, 3) 5000-275A 4R20 Roller Mount, 10) 5000-292 Torsion Arm

5000-055A – 18R22 Drago GT – 5) 5000-160A Roller Bearing Bolt Bag, 10) 5000-169 Torsion Pivot Assembly, 10) 5000-170 Torsion Mount Bolt Bag, 1) 5000-172 Manual Bag, 5) 5000-2007 Right Offset Torsion Mount, 5) 5000-2008 Left Offset Torsion Mount, 2) 5000-280 3R22 Roller, 2) 5000-281A 3R22 Roller Mount, 3) 5000-282 4R22 Roller, 3) 5000-283A 4R22 Roller Mount, 10) 5000-292 Torsion Arm

5000-056 – 12R20 Drago GT – 3) 5000-160A Roller Bearing Bolt Bag, 6) 5000-169 Torsion Pivot Assembly, 6) 5000-170 Torsion Mount Bolt Bag, 1) 5000-172 Manual Bag, 1) 5000-2007 Right Offset Torsion Mount, 1) 5000-2008 Left Offset Torsion Mount, 3) 5000-267 4R20 Roller, 3) 5000-275A 4R20 Roller Mount, 4) 5000-277 Torsion Mount 9.25", 6) 5000-292 Torsion Arm

Before beginning your installation, go through your kit to verify that you have the correct parts and quantities. Use the Pictorial Index below & Part ID section at the end of the manual as a visual of what the parts look like

INSTALLATION TOOLS REQUIRED:

Electric or Pneumatic Impact,
Torque wrench,
1 1/8 socket & wrench, 15/16 socket & wrench,
3/4 Socket & wrench, & 9/16 socket & wrench



PICTORIAL INDEX OF PARTS

 5000-169 Torsion Pivot	 5000-267 4R20 Roller	 5000-268 2R30 Roller	 5000-269A 2R30 Roller Mount	 5000-272 3R30 Roller	 5000-273 3R20 Roller	 5000-274 3R20 Roller Mount	 5000-275A 4R20/3R30		
 5000-277 Torsion Mount	 5000-278 Drago GT Center Pivot	 5000-280 3R22 Roller	 5000-281A 3R22 Roller Mnt	 5000-282 4R22 Roller	 5000-283A 4R22 Roller Mnt	 5000-2007 Torsion Mount Offset RH	 5000-2008 Torsion Mount Offset LH	 5000-298 Torsion Mount W.A.	
 5000-292 Torsion Arm	 5000-355 Bearing Assembly	 5000-322 Shim Washer	 2502-353 1/2 - 13 X 2 1/2 GR 8 Bolt	 2520-357 1/2 - 13 Lock Hex Nut	 5000-438 Backing Plate	 5000-439 Short Backing Plate	 5000-440 Center Backing Plate	 5000-441 Short/Double Mount Plate	 5000-468 Spacer
7  5000-469 Security Cap	 2502-353 1/2 - 13 X 2 GR 8 Bolt	 2502-430 3/8 - 10 X 8 GR 8 Bolt	 2505-262 3/8 - 16 X 1 1/2 Car. Bolt GR 5	 2520-258 3/8 Hex Flg Lock Nut	 2520-459 5/8 Lock Hex Nut	 2520-604 3/4 Lock Hex Nut	 2570-568 1/2 X 2 1/2 X 3 1/2 U-Bolt		

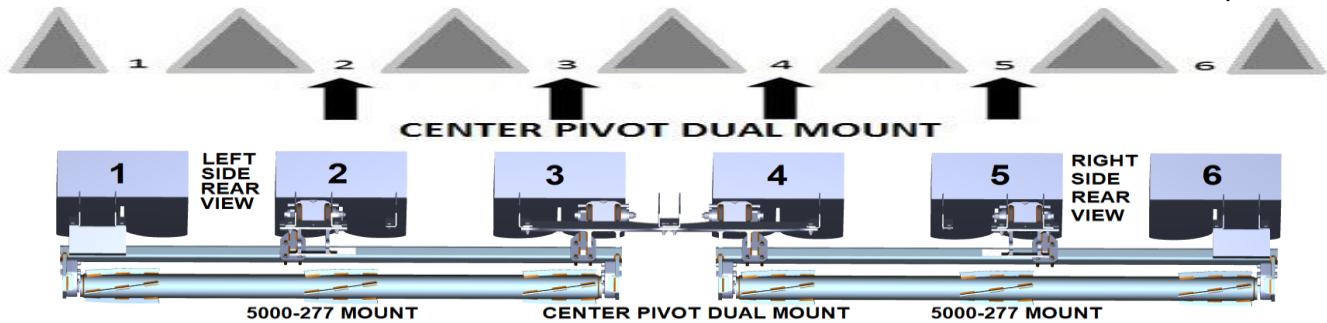
ASSEMBLY INSTRUCTIONS

MOUNT BRACKET LOCATIONS MAY DIFFER THAN WHAT MODEL IMAGES SHOW

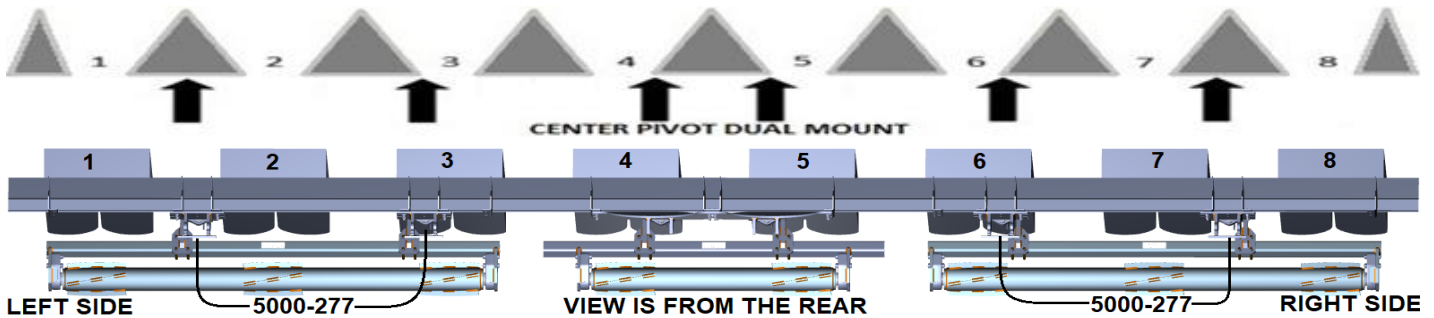
****CHOPPING HEADS ARE NOT COMPATIBLE****

5000-050C 6 ROW 30"

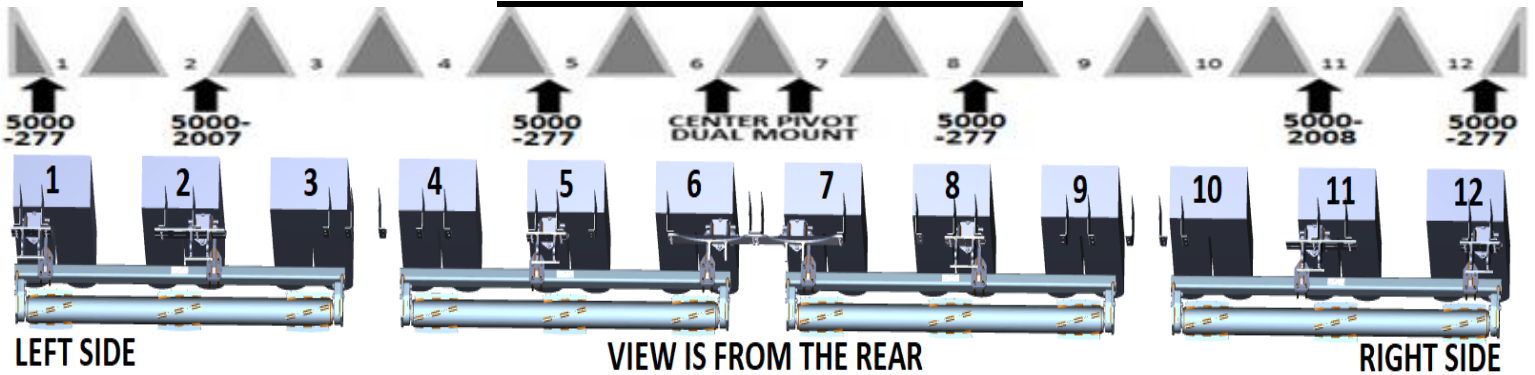
Arrows indicate 5000-277, 5000-278, 5000-2007, & 5000-2008 mount bracket & 5000-169 torsion pivot locations



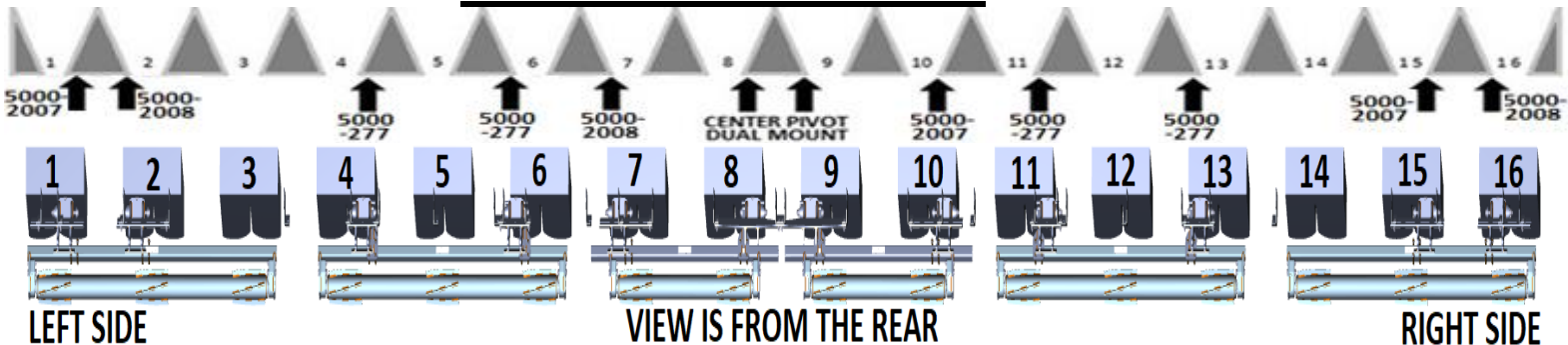
5000-051C 8 ROW 30"



5000-052C 12 ROW 30"



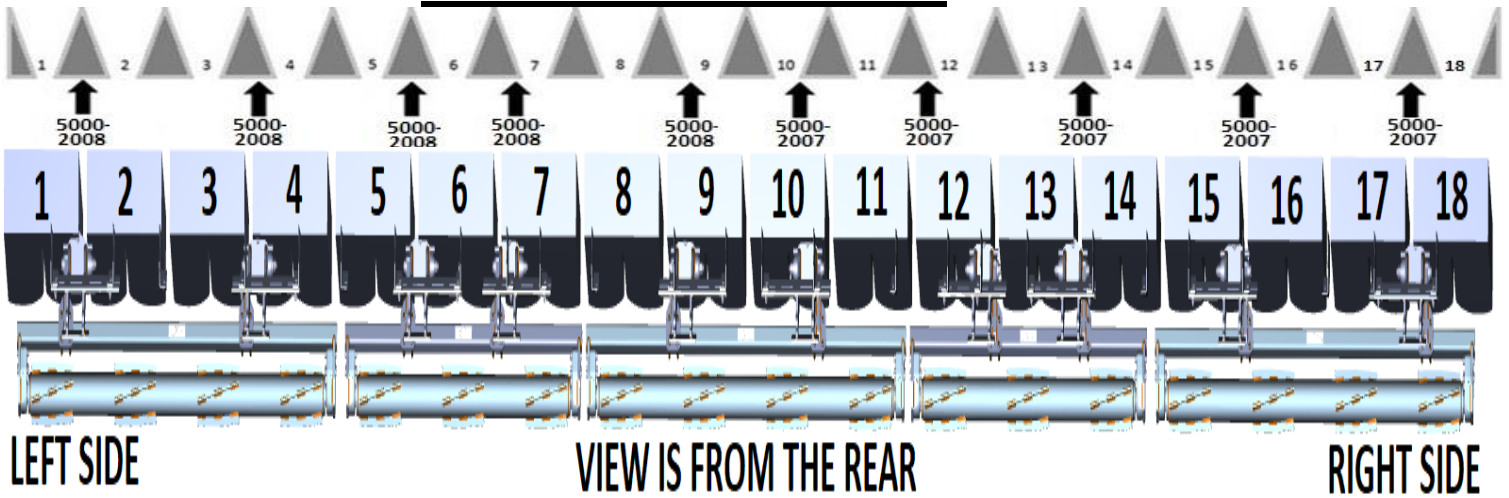
5000-053B 16 ROW 30"



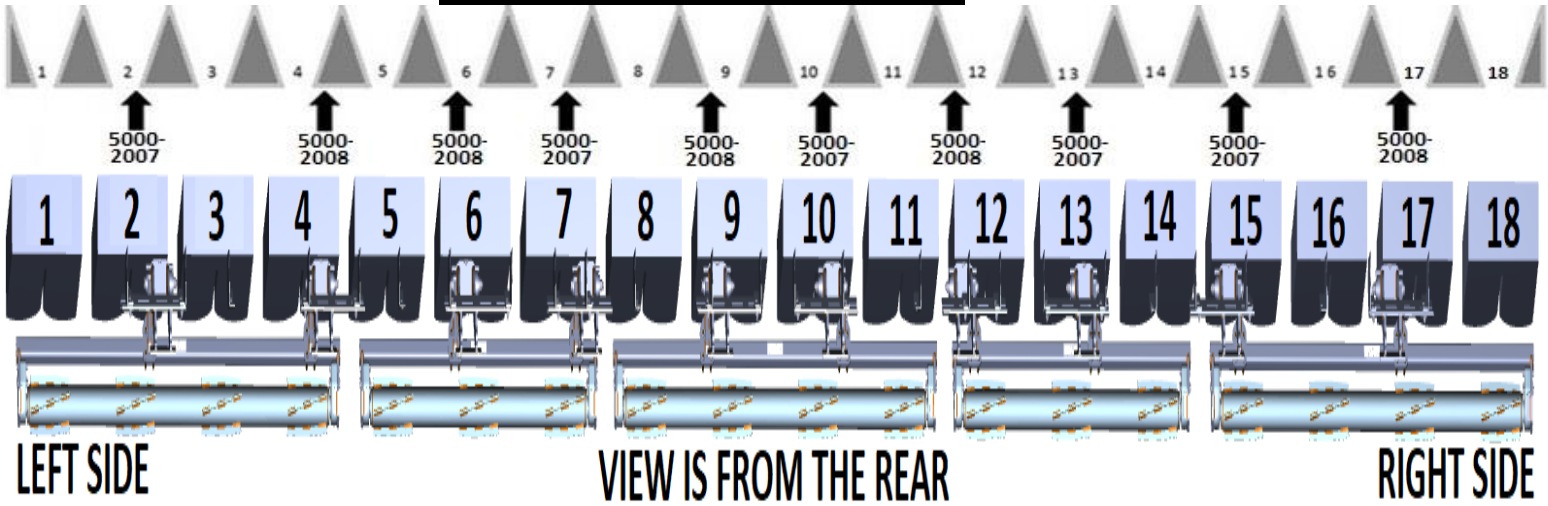
ASSEMBLY INSTRUCTIONS

****CHOPPING HEADS ARE NOT COMPATIBLE****

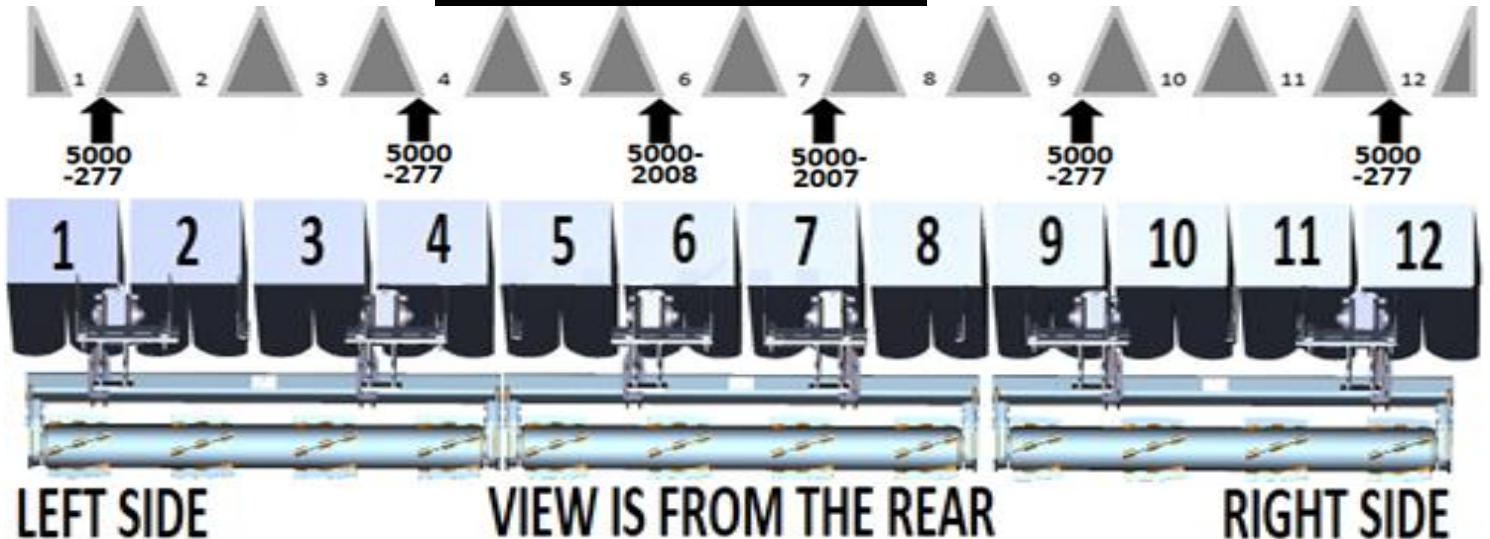
5000-054A 18 ROW 20"



5000-055A 18 ROW 22"

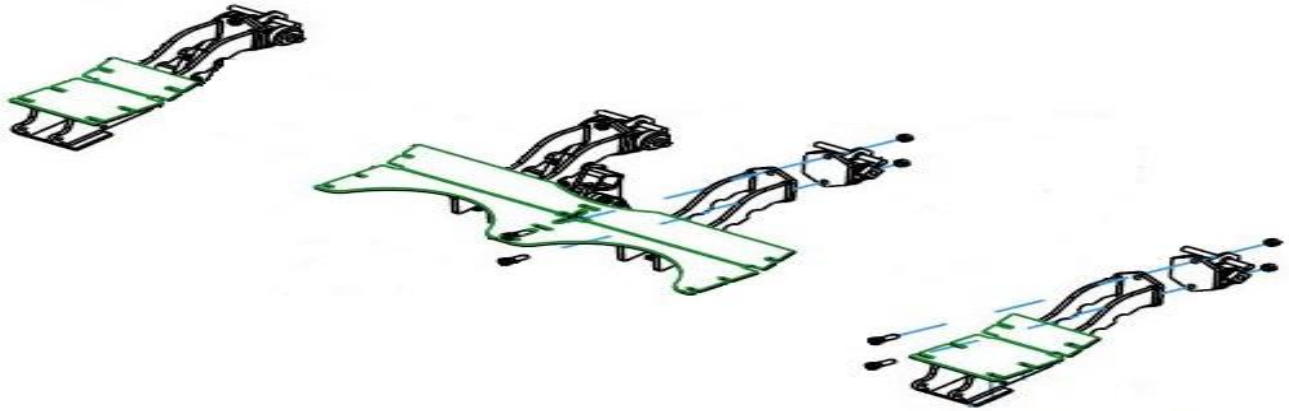


5000-056 12 ROW 20"



ASSEMBLY INSTRUCTIONS

Step 1: Attach each 5000-169 torsion pivot to each torsion mount & center pivot using 5/8" X 2" bolts & 5/8 lock hex nuts.



Step 2: Install the 5000-277, 5000-2007 RH Offset, 5000-2008 LH Offset, & the 5000-5000-278 Center Pivot. The Torsion Mounts will each use 2) 5000-438 Backing Plates & 2) 5000-439 Short Backing Plates. The Center Pivot will use 2) Backing Plates & 2) Short Backing Plates on the outer edges & 1) 5000-440 Center Backing Plate & 1) 5000-441 Short/Double Backing Plate on the center of the mount. Fasten the Torsion Mount & Center Pivot assemblies to the Backing Plates using 3/8 X 1 1/2" carriage bolts & 3/8 hex flange lock nuts. **THE MODELS ON PAGE 8-9 & LOCATIONS BELOW ARE SUBJECT TO VARY!!!**

6R30 – 5000-277 under row 2 & row 5, center pivot under rows 3 & 4 (model provided below)

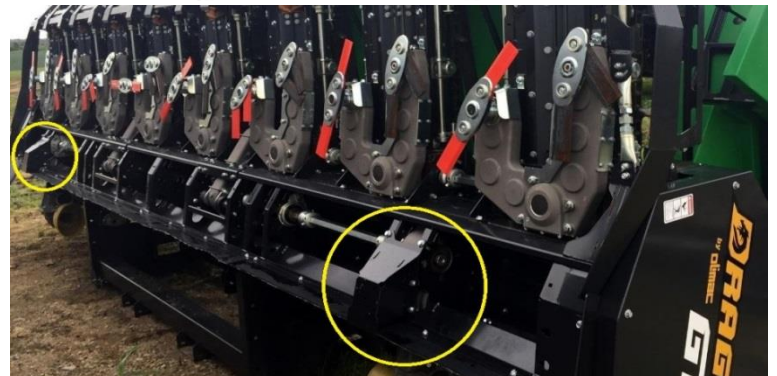
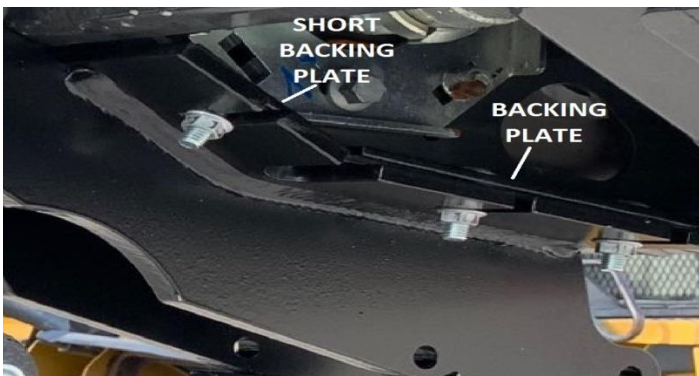
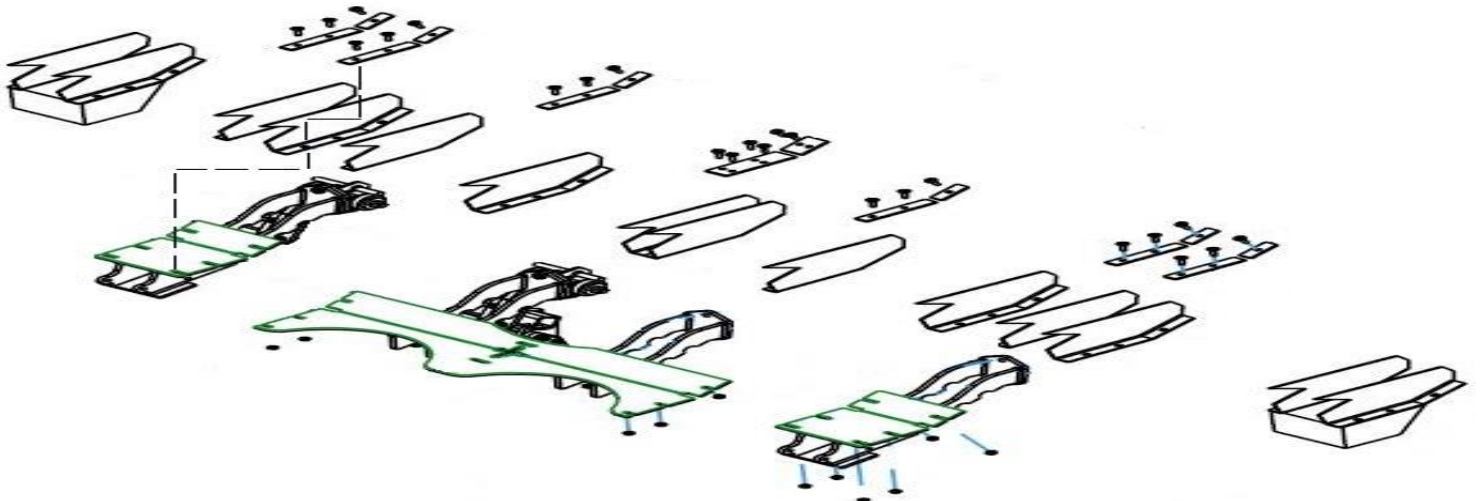
8R30 – 5000-277 between rows 1 & 2 and 7 & 8, under rows 3 & 6, center pivot under rows 4 & 5

12R30 – 5000-277 under rows 1, 5, 8, 12, 5000-2007 under row 3, 5000-2008 under row 11, center pivot under rows 6 & 7

16R30 – 5000-277 under rows 4, 6, 11, 13; 5000-2007 under rows 1, 2, 7; 5000-2008 under rows 10, 15, 16; & center pivot under rows 8 & 9

18R20 Head – 5000-2007 between rows 10-11, 11-12, 13-14, 15-16, & 17-18; 5000-2008 between rows 1-2, 3-4, 5-6, 6-7, & 8-9.

18R22 Head – 5000-2007 under rows 2, 7, 10, 13, & 15; 5000-2008 under rows 4, 6, 9, 12, & 17



NOTE: Removing the original resting pads may be required.

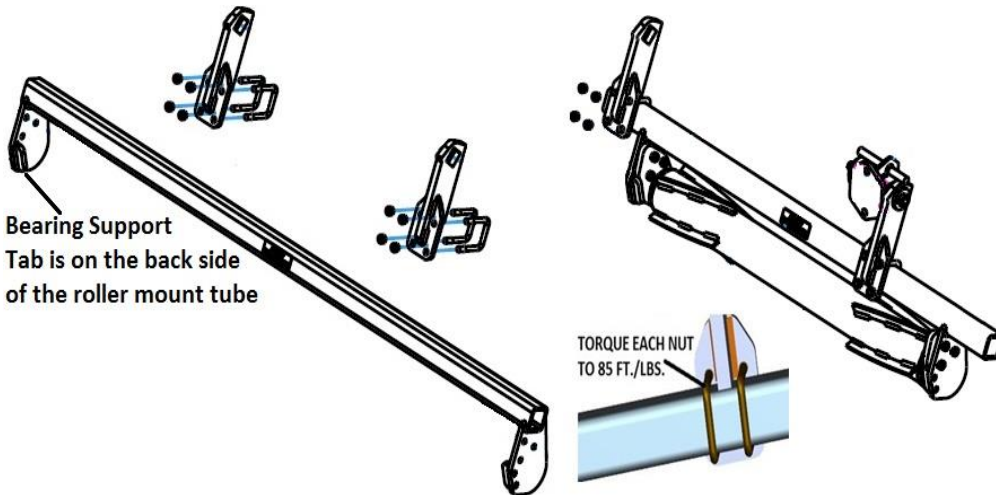
ASSEMBLY INSTRUCTIONS

Step 3: Attach 5000-292 torsion arm to each torsion pivot assembly. Place 1) 5000-469 security cap over 2502-322 $\frac{3}{4}$ X 8 bolt, slide bolt with cap through the torsion arm and torsion pivot, slide the 5000-468 spacer over bolt followed by another security cap, and then fasten the 2520-604 $\frac{3}{4}$ top lock nut. Install the torsion arm on the side of the torsion pivot assembly that is further away from the center of the row if possible.



Step 4: Install each roller mount to torsion arm using 2570-568 $\frac{1}{2}$ X $2\frac{1}{2}$ X $3\frac{1}{2}$ U-bolts & 2520-357 $\frac{1}{2}$ lock hex nuts. **SEE MODELS ON PAGE 8-9 FOR THE ORIENTATOIN OF HOW THE ROLLERS & ROLLER MOUNT TUBES ARE ASSEMBLED FOR YOUR MODEL OF CORN HEAD!** Do not tighten this hardware down until after each roller is mounted so traction bars can be aligned under each row.

NOTE: MAKE SURE THE BEARING SUPPORT TAB ON THE ROLLER MOUNT IS ON THE BACK SIDE.

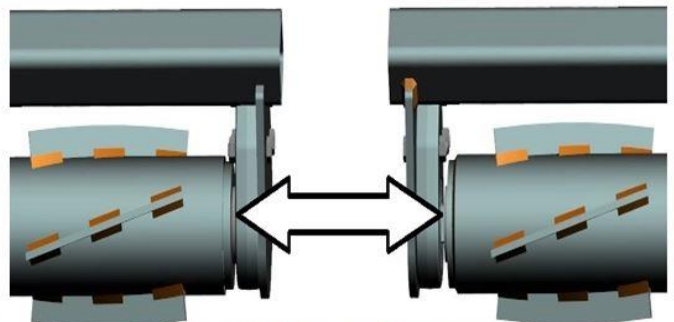
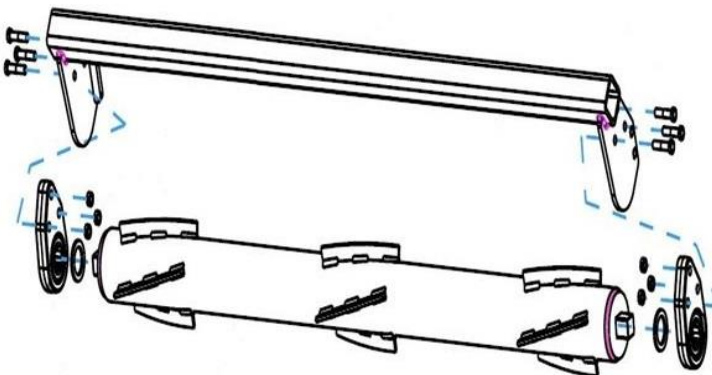


Bearing Support Tab is on the back side of the roller mount tube

TORQUE EACH NUT TO 85 FT./LBS.



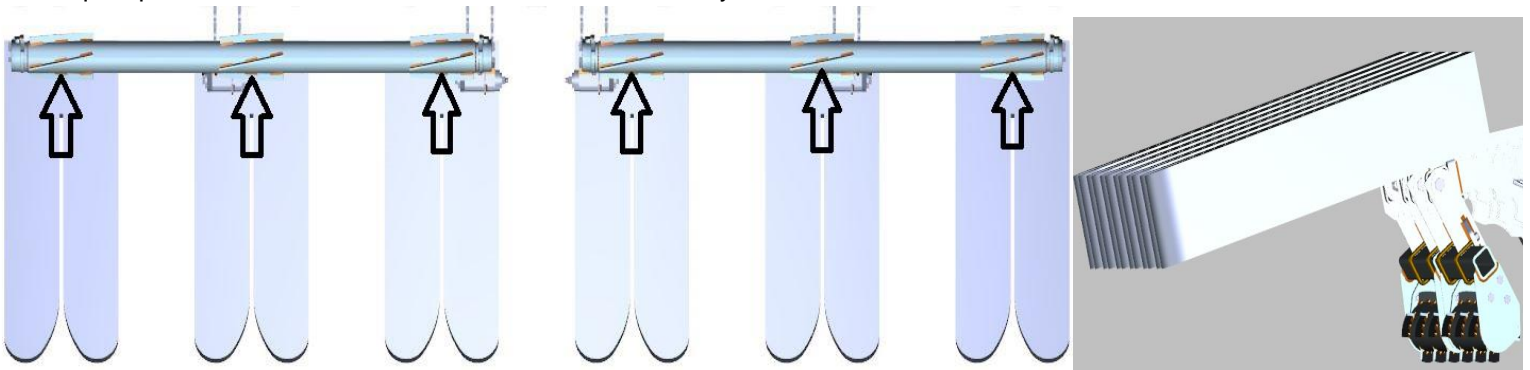
Step 5: Insert shim washer over the shaft on each end of roller. Install bearing over the shaft on each end of roller so that the side of the casting that has bearing protruding past housing surface is towards the roller barrel & shim washer. Lift each roller into place so that bolt holes on the cast line up with mounting tabs on roller arm mount tube. Install $\frac{1}{2}$ " X $2\frac{1}{2}$ " bolts and tighten the $\frac{1}{2}$ " lock nuts. Once roller & bearing hardware is fastened, spin the roller to ensure bearing was installed correctly. If roller was installed incorrectly, the roller will not spin or will have drag.



THE SIDE OF THE BEARING ASSEMBLY WHERE THE BEARING IS PROTRUDING MUST BE INSTALLED TOWARD THE ROLLER!

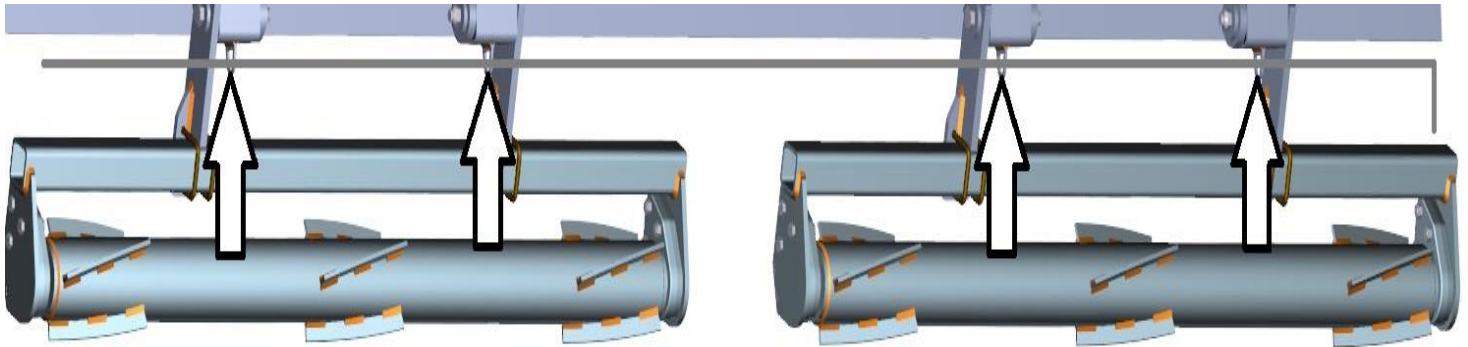
ASSEMBLY INSTRUCTIONS

Step 6: Slide the roller mount tubes to align the row center with the traction bars. Fully tighten all hardware at this time to torque spec. The traction bars DO NOT have to be directly centered under each row.



LOCK UP

To “lock up” the Devastator roller, lower the head down far enough to install a rod through the hole in the mount bracket, in front of the pivot arms. A 5000-430 Lock Pin can be ordered to lock up the devastators. 6 row heads require 1 lock pin, 8/12 row heads require 2.



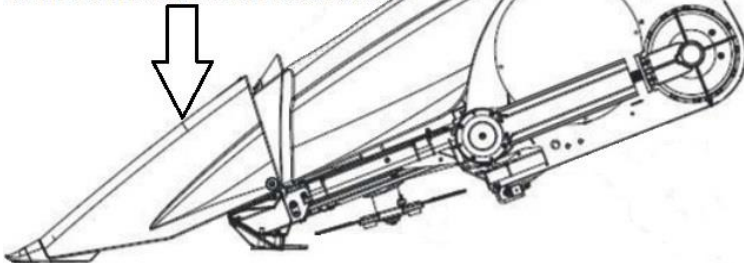
OPERATION

CORN HEAD ANGLE NEEDS TO BE ADJUSTED BETWEEN 22 – 25° FOR OPTIMUM DEVASTATOR PERFORMANCE. USE THE 5000-455 TO CHECK CORN HEAD ANGLE:

- Put the combine on a level surface. Lower corn head to your normal working head height. Place the magnetic protractor on the stripper plate to get the angle. Adjust the feeder house as needed, fore or aft, to achieve 22 – 25 degrees.

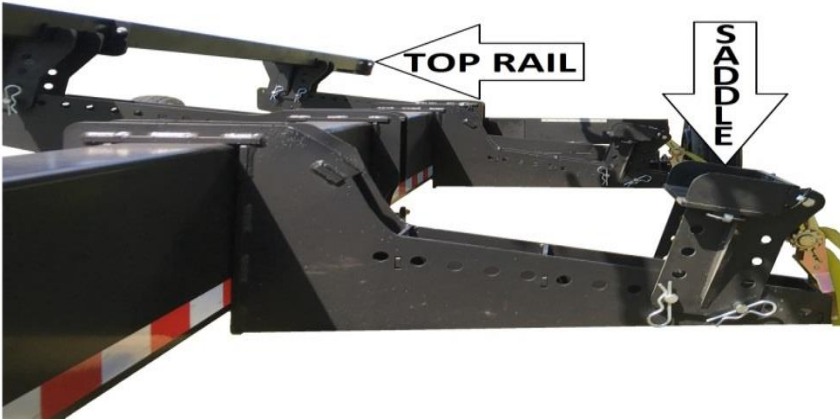


ADJUST SNOOT AS NEEDED WHEN SETTING THE CORRECT HEAD ANGLE



STORAGE/TRANSPORT

- Head cart may need adjusted to fit the head with devastator correctly. E.g. raising or fore/aft adjustment of saddles/top rail on the head cart.
- If head cart does not have these adjustments, adding a tube extension to top rail or adding extension to saddle/corn head may be required.
- Side to side tilt may need used to clear taller head cart tires or locking the devastator up.
- When disconnecting from the head, leaving pressure on the torsion pivot of the devastator will not damage the devastator.



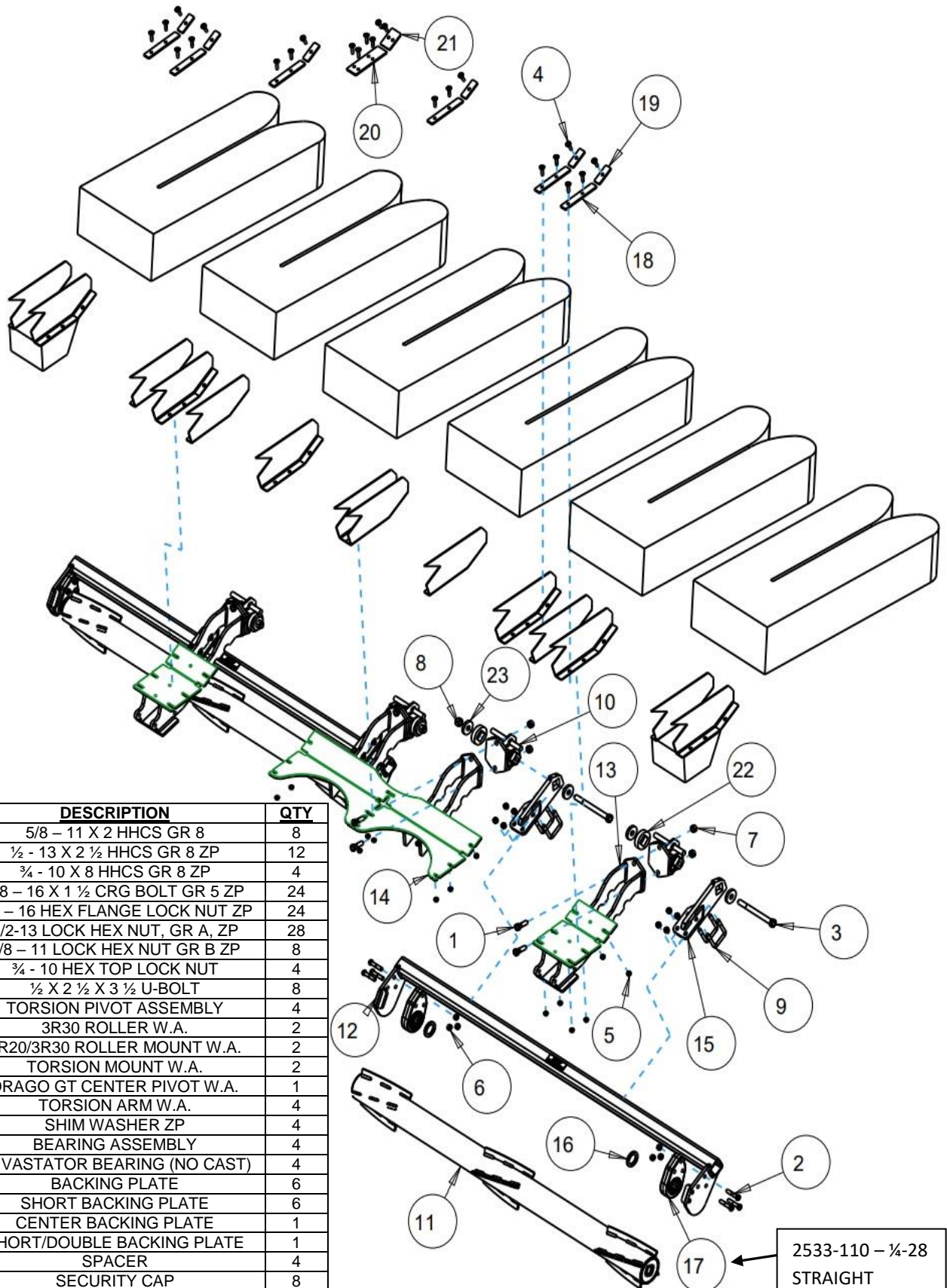
BEARING REPLACEMENT/GREASING

Put bearing housing in a vice, use a pry bar to turn bearing in the housing parallel with slots, remove old bearing, insert new bearing in slots, & use a pry bar to move back to position. Apply grease in zerk until grease comes out between outer race & cast housing, wobble the bearing around to help work the lubricant into outer race of bearing. If housing doesn't have grease zerk, apply anti-seize to outer race of bearing & to inside of casting before installing bearing.



5000-050C PART IDENTIFICATION

DRAGO GT 6 ROW

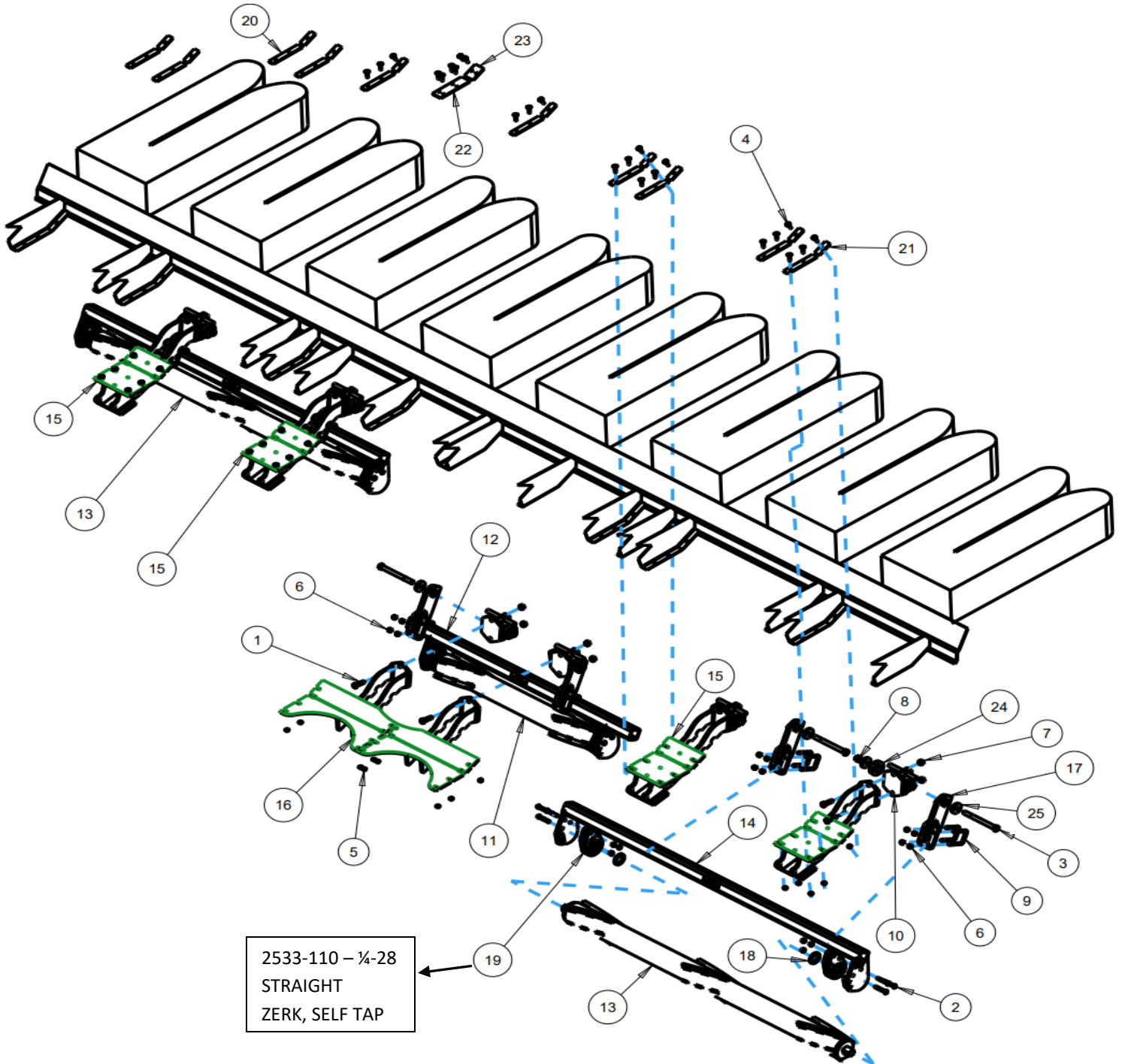


ITEM	PART #	DESCRIPTION	QTY
1	2502-322	5/8 - 11 X 2 HHCS GR 8	8
2	2502-353	1/2 - 13 X 2 1/2 HHCS GR 8 ZP	12
3	2502-430	3/4 - 10 X 8 HHCS GR 8 ZP	4
4	2505-262	3/8 - 16 X 1 1/2 CRG BOLT GR 5 ZP	24
5	2520-258	3/8 - 16 HEX FLANGE LOCK NUT ZP	24
6	2520-357	1/2-13 LOCK HEX NUT, GR A, ZP	28
7	2520-459	5/8 - 11 LOCK HEX NUT GR B ZP	8
8	2520-604	3/4 - 10 HEX TOP LOCK NUT	4
9	2570-568	1/2 X 2 1/2 X 3 1/2 U-BOLT	8
10	5000-169	TORSION PIVOT ASSEMBLY	4
11	5000-272	3R30 ROLLER W.A.	2
12	5000-275A	4R20/3R30 ROLLER MOUNT W.A.	2
13	5000-277	TORSION MOUNT W.A.	2
14	5000-278	DRAGO GT CENTER PIVOT W.A.	1
15	5000-292	TORSION ARM W.A.	4
16	5000-322	SHIM WASHER ZP	4
17	5000-355	BEARING ASSEMBLY	4
	2550-059	DEVASTATOR BEARING (NO CAST)	4
18	5000-438	BACKING PLATE	6
19	5000-439	SHORT BACKING PLATE	6
20	5000-440	CENTER BACKING PLATE	1
21	5000-441	SHORT/DOUBLE BACKING PLATE	1
22	5000-468	SPACER	4
23	5000-469	SECURITY CAP	8

2533-110 - 1/4-28
STRAIGHT
ZERK, SELF TAP

5000-051C PART IDENTIFICATION

DRAGO GT 8 ROW



ITEM	PART #	DESCRIPTION	QTY	ITEM	PART #	DESCRIPTION	QTY
1	2502-322	5/8 - 11 X 2 HHCS GR 8	12	14	5000-275A	4R20/3R30 ROLLER MOUNT W.A.	2
2	2502-353	1/2 - 13 x 2 1/2 HHCS GR 8 ZP	18	15	5000-277	TORSION MOUNT W.A.	4
3	2502-430	3/4 - 10 X 8 HHCS GR 8 ZP	6	16	5000-278	DRAGO GT CENTER PIVOT W.A.	1
4	2505-262	3/8 - 16 X 1 1/2 CARRIAGE BOLT GR 5 ZP	36	17	5000-292	TORSION ARM W.A.	6
5	2520-258	3/8 - 16 HEX FLANGE LOCK NUT ZP	36	18	5000-322	SHIM WASHER ZP	6
6	2520-357	1/2-13 LOCK HEX NUT, GR A, ZP	42	19	5000-355	BEARING ASSEMBLY	6
7	2520-462	5/8 - 11 LOCK HEX NUT GR 8 ZP	12		2550-059	DEVASTATOR BEARING ONLY	6
8	2520-604	3/4 - 10 HEX TOP LOCK NUT	6	20	5000-438	BACKING PLATE	10
9	2570-568	1/2 X 2 1/2 X 3 1/2 U-BOLT	12	21	5000-439	SHORT BACKING PLATE	10
10	5000-169	TORSION PIVOT ASSEMBLY	6	22	5000-440	CENTER BACKING PLATE	1
11	5000-268	2R30 ROLLER W.A.	1	23	5000-441	SHORT/DOUBLE BACKING PLATE	1
12	5000-269A	2R30 ROLLER MOUNT W.A.	1	24	5000-468	SPACER	6
13	5000-272	3R30 ROLLER W.A.	2	25	5000-469	SECURITY CAP	12

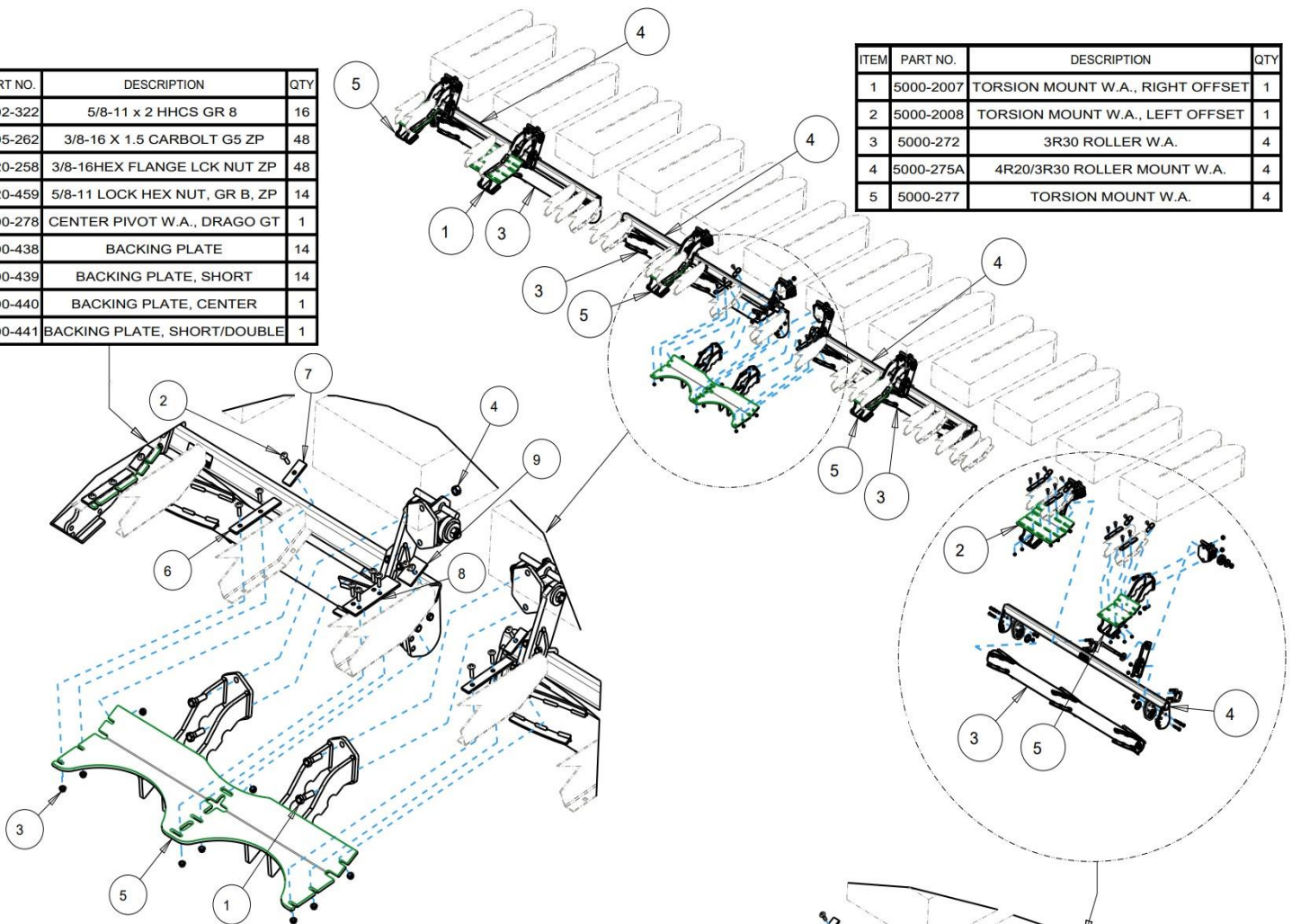
15

5000-052C PART IDENTIFICATION

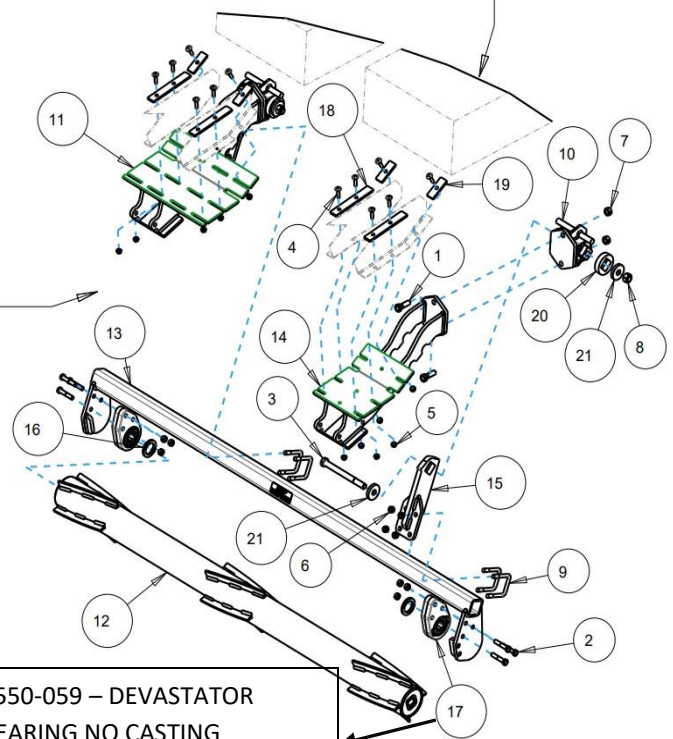
DRAGO GT 12 ROW

ITEM	PART NO.	DESCRIPTION	QTY
1	2502-322	5/8-11 x 2 HHCS GR 8	16
2	2505-262	3/8-16 X 1.5 CARBOLT G5 ZP	48
3	2520-258	3/8-16HEX FLANGE LCK NUT ZP	48
4	2520-459	5/8-11 LOCK HEX NUT, GR B, ZP	14
5	5000-278	CENTER PIVOT W.A., DRAGO GT	1
6	5000-438	BACKING PLATE	14
7	5000-439	BACKING PLATE, SHORT	14
8	5000-440	BACKING PLATE, CENTER	1
9	5000-441	BACKING PLATE, SHORT/DOUBLE	1

ITEM	PART NO.	DESCRIPTION	QTY
1	5000-2007	TORSION MOUNT W.A., RIGHT OFFSET	1
2	5000-2008	TORSION MOUNT W.A., LEFT OFFSET	1
3	5000-272	3R30 ROLLER W.A.	4
4	5000-275A	4R20/3R30 ROLLER MOUNT W.A.	4
5	5000-277	TORSION MOUNT W.A.	4



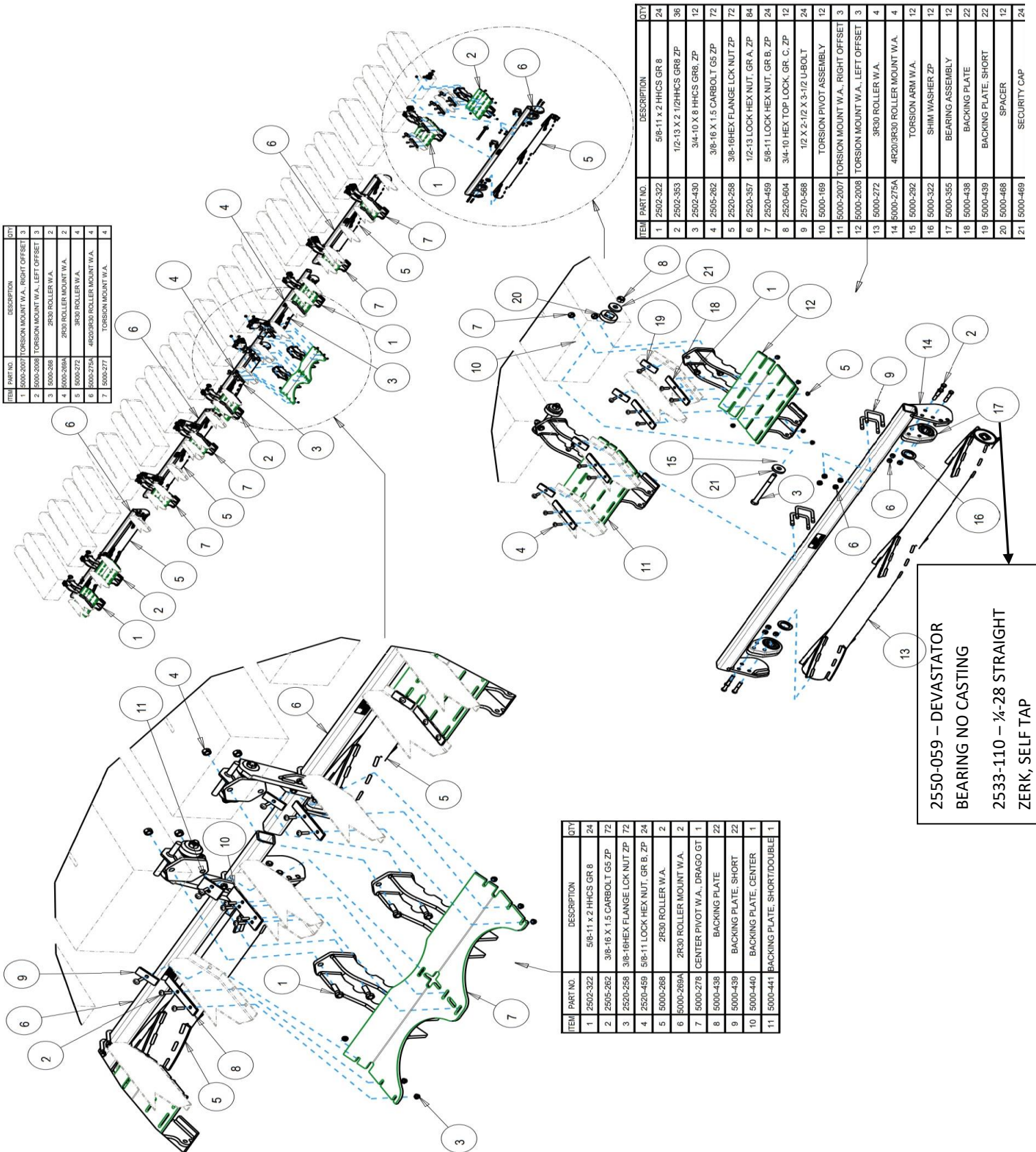
ITEM	PART NO.	DESCRIPTION	QTY
1	2502-322	5/8-11 x 2 HHCS GR 8	16
2	2502-353	1/2-13 X 2 1/2HHCS GR8 ZP	24
3	2502-430	3/4-10 X 8 HHCS GR8, ZP	8
4	2505-262	3/8-16 X 1.5 CARBOLT G5 ZP	48
5	2520-258	3/8-16HEX FLANGE LCK NUT ZP	48
6	2520-357	1/2-13 LOCK HEX NUT, GR A, ZP	56
7	2520-459	5/8-11 LOCK HEX NUT, GR B, ZP	14
8	2520-604	3/4-10 HEX TOP LOCK, GR. C, ZP	8
9	2570-568	1/2 X 2-1/2 X 3-1/2 U-BOLT	16
10	5000-169	TORSION PIVOT ASSEMBLY	8
11	5000-2008	TORSION MOUNT W.A., LEFT OFFSET	1
12	5000-272	3R30 ROLLER W.A.	4
13	5000-275A	4R20/3R30 ROLLER MOUNT W.A.	4
14	5000-277	TORSION MOUNT W.A.	4
15	5000-292	TORSION ARM W.A.	8
16	5000-322	SHIM WASHER ZP	8
17	5000-355	BEARING ASSEMBLY	8
18	5000-438	BACKING PLATE	14
19	5000-439	BACKING PLATE, SHORT	14
20	5000-468	SPACER	8
21	5000-469	SECURITY CAP	16



2550-059 – DEVASTATOR BEARING NO CASTING
 2533-110 – 1/4-28 STRAIGHT ZERK, SELF TAP

5000-053B PART IDENTIFICATION

DRAGO GT 16 ROW



ITEM	PART NO.	DESCRIPTION	QTY
1	5000-2007	TORSION MOUNT W.A., RIGHT OFFSET	3
2	5000-2008	TORSION MOUNT W.A., LEFT OFFSET	3
3	5000-2686	2R30 ROLLER W.A.	2
4	5000-2722	2R30 ROLLER MOUNT W.A.	2
5	5000-2754	3R30 ROLLER W.A.	4
6	5000-2754	4R20/3R30 ROLLER MOUNT W.A.	4
7	5000-2771	TORSION MOUNT W.A.	4

ITEM	PART NO.	DESCRIPTION	QTY
1	2502-322	5/8-11 x 2 HHCS GR 8	24
2	2602-353	1/2-13 X 2 1/2 HHCS GR 8 ZP	36
3	2502-430	3/4-10 X 8 HHCS GR 8 ZP	12
4	2505-262	3/8-16 X 1.5 CARBOLT G5 ZP	72
5	2520-258	3/8-16 HEX FLANGE LCK NUT ZP	72
6	2520-357	1/2-13 LOCK HEX NUT, GR A, ZP	84
7	2520-459	5/8-11 LOCK HEX NUT, GR B, ZP	24
8	2520-504	3/4-10 HEX TOP LOCK, GR C, ZP	12
9	2570-568	1/2 X 2-1/2 X 3-1/2 U-BOLT	24
10	5000-169	TORSION PIVOT ASSEMBLY	12
11	5000-2007	TORSION MOUNT W.A., RIGHT OFFSET	3
12	5000-2008	TORSION MOUNT W.A., LEFT OFFSET	3
13	5000-272	3R30 ROLLER W.A.	4
14	5000-2754	4R20/3R30 ROLLER MOUNT W.A.	4
15	5000-292	TORSION ARM W.A.	12
16	5000-322	SHIM WASHER ZP	12
17	5000-355	BEARING ASSEMBLY	12
18	5000-438	BACKING PLATE	22
19	5000-439	BACKING PLATE, SHORT	22
20	5000-468	SPACER	12
21	5000-469	SECURITY CAP	24

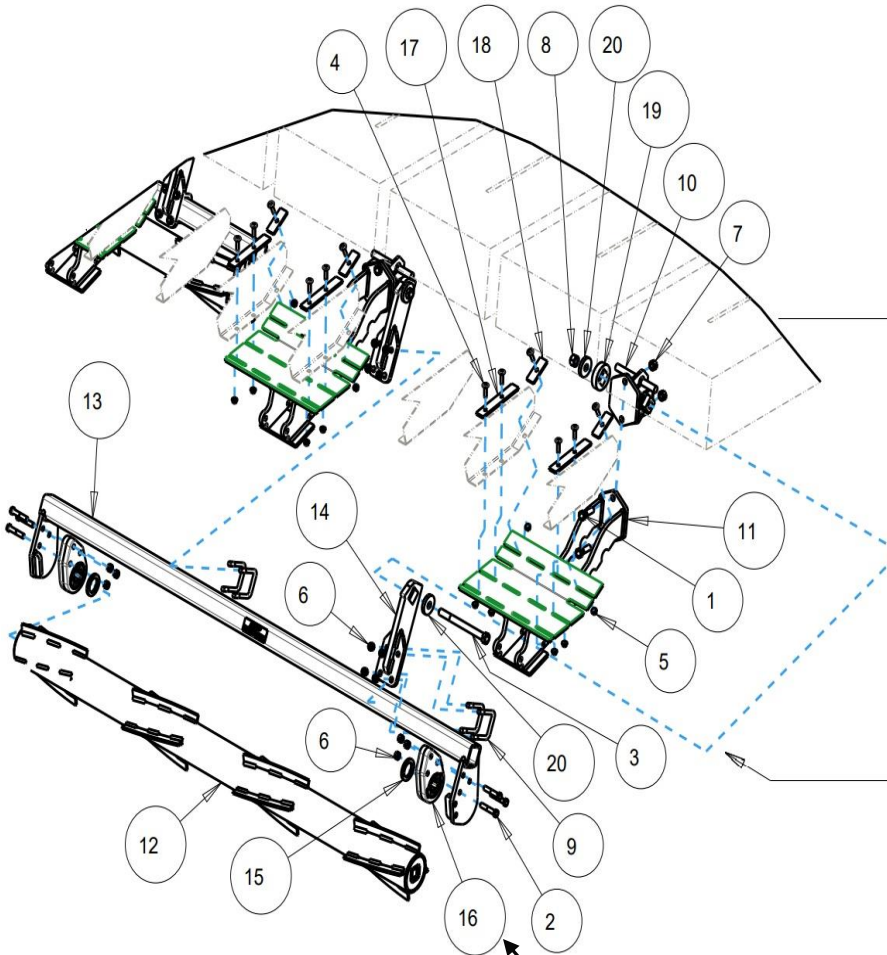
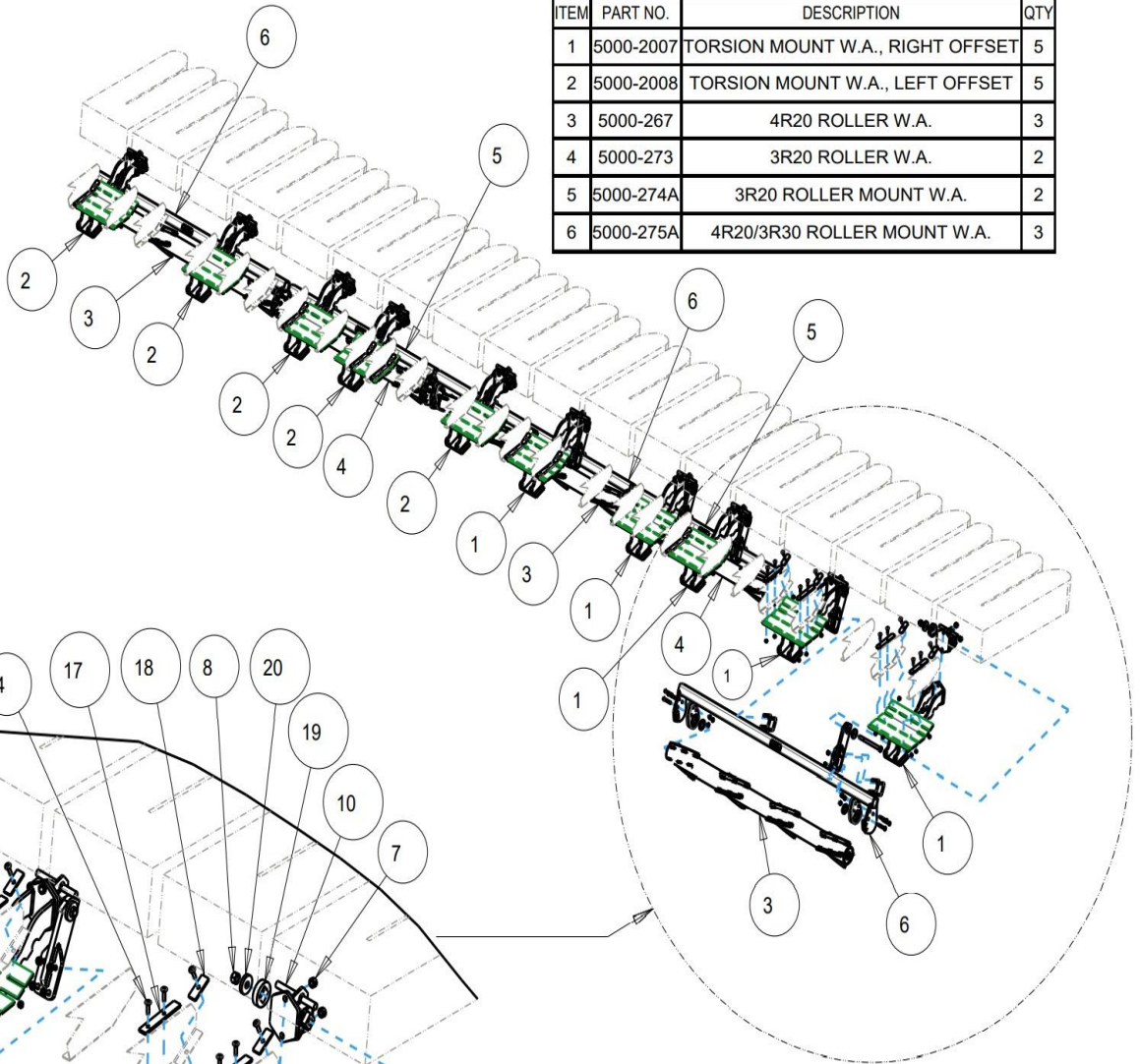
ITEM	PART NO.	DESCRIPTION	QTY
1	2502-322	5/8-11 x 2 HHCS GR 8	24
2	2505-262	3/8-16 X 1.5 CARBOLT G5 ZP	72
3	2520-258	3/8-16 HEX FLANGE LCK NUT ZP	72
4	2520-459	5/8-11 LOCK HEX NUT, GR B, ZP	24
5	5000-268	2R30 ROLLER W.A.	2
6	5000-269A	2R30 ROLLER MOUNT W.A.	2
7	5000-278	CENTER PIVOT W.A., DRAGO GT	1
8	5000-438	BACKING PLATE	22
9	5000-439	BACKING PLATE, SHORT	22
10	5000-440	BACKING PLATE, CENTER	1
11	5000-441	BACKING PLATE, SHORTRDOUBLE	1

2550-059 - DEVASTATOR BEARING NO CASTING
 2533-110 - 1/4-28 STRAIGHT ZERK, SELF TAP

5000-054A PART IDENTIFICATION

DRAGO GT 18 ROW 20" SPACING

ITEM	PART NO.	DESCRIPTION	QTY
1	5000-2007	TORSION MOUNT W.A., RIGHT OFFSET	5
2	5000-2008	TORSION MOUNT W.A., LEFT OFFSET	5
3	5000-267	4R20 ROLLER W.A.	3
4	5000-273	3R20 ROLLER W.A.	2
5	5000-274A	3R20 ROLLER MOUNT W.A.	2
6	5000-275A	4R20/3R30 ROLLER MOUNT W.A.	3



ITEM	PART NO.	DESCRIPTION	QTY
1	2502-322	5/8-11 x 2 HHCS GR 8	20
2	2502-353	1/2-13 X 2 1/2 HHCS GR8 ZP	30
3	2502-430	3/4-10 X 8 HHCS GR8. ZP	10
4	2505-262	3/8-16 X 1.5 CARBOLT G5 ZP	61
5	2520-258	3/8-16 HEX FLANGE LCK NUT ZP	60
6	2520-357	1/2-13 LOCK HEX NUT, GR A, ZP	70
7	2520-459	5/8-11 LOCK HEX NUT, GR B, ZP	20
8	2520-604	3/4-10 HEX TOP LOCK, GR, C, ZP	10
9	2570-568	1/2 X 2-1/2 X 3-1/2 U-BOLT	20
10	5000-169	TORSION PIVOT ASSEMBLY	10
11	5000-2007	TORSION MOUNT W.A., RIGHT OFFSET	5
12	5000-267	4R20 ROLLER W.A.	3
13	5000-275A	4R20/3R30 ROLLER MOUNT W.A.	3
14	5000-292	TORSION ARM W.A.	10
15	5000-322	SHIM WASHER ZP	10
16	5000-355	BEARING ASSEMBLY	10
17	5000-438	BACKING PLATE	20
18	5000-439	BACKING PLATE, SHORT	20
19	5000-468	SPACER	10
20	5000-469	SECURITY CAP	20

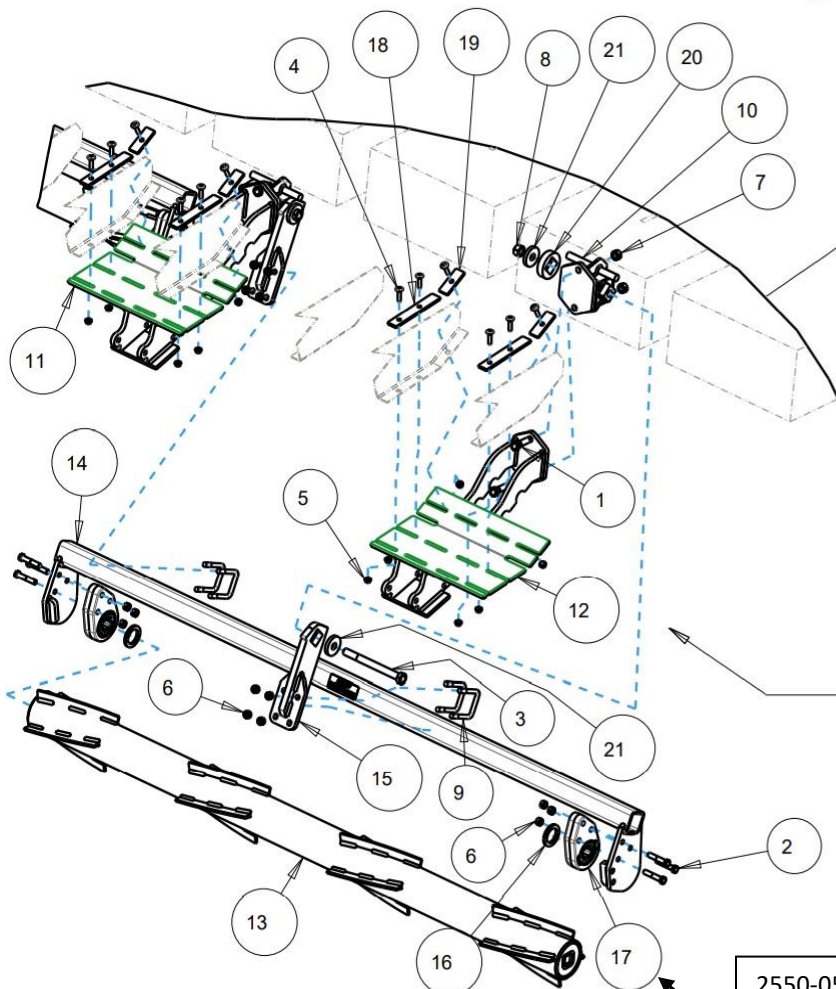
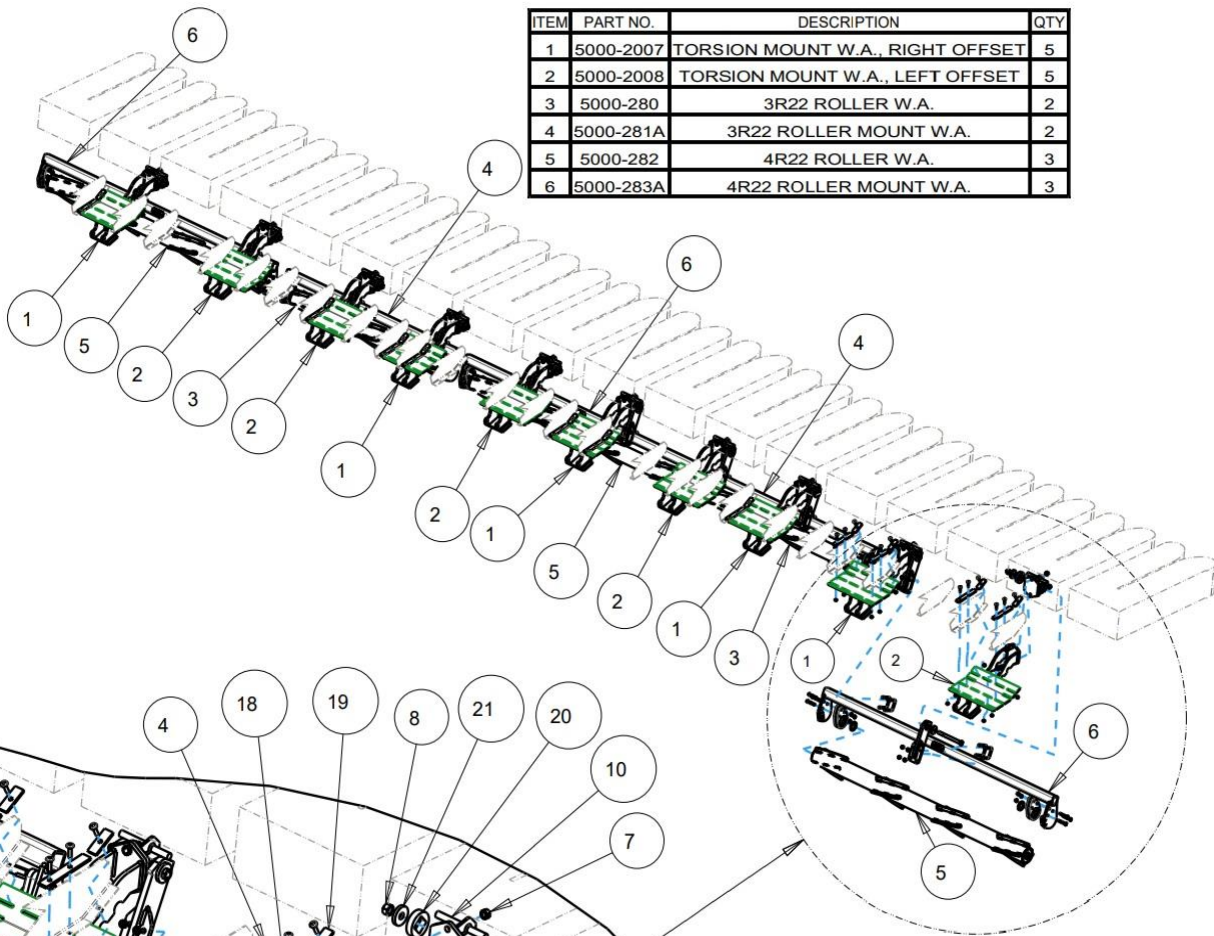
2550-059 – DEVASTATOR
BEARING NO CASTING

2533-110 – 1/4-28 STRAIGHT
ZERK, SELF TAP

5000-055A PART IDENTIFICATION

DRAGO GT 18 ROW 22" SPACING

ITEM	PART NO.	DESCRIPTION	QTY
1	5000-2007	TORSION MOUNT W.A., RIGHT OFFSET	5
2	5000-2008	TORSION MOUNT W.A., LEFT OFFSET	5
3	5000-280	3R22 ROLLER W.A.	2
4	5000-281A	3R22 ROLLER MOUNT W.A.	2
5	5000-282	4R22 ROLLER W.A.	3
6	5000-283A	4R22 ROLLER MOUNT W.A.	3



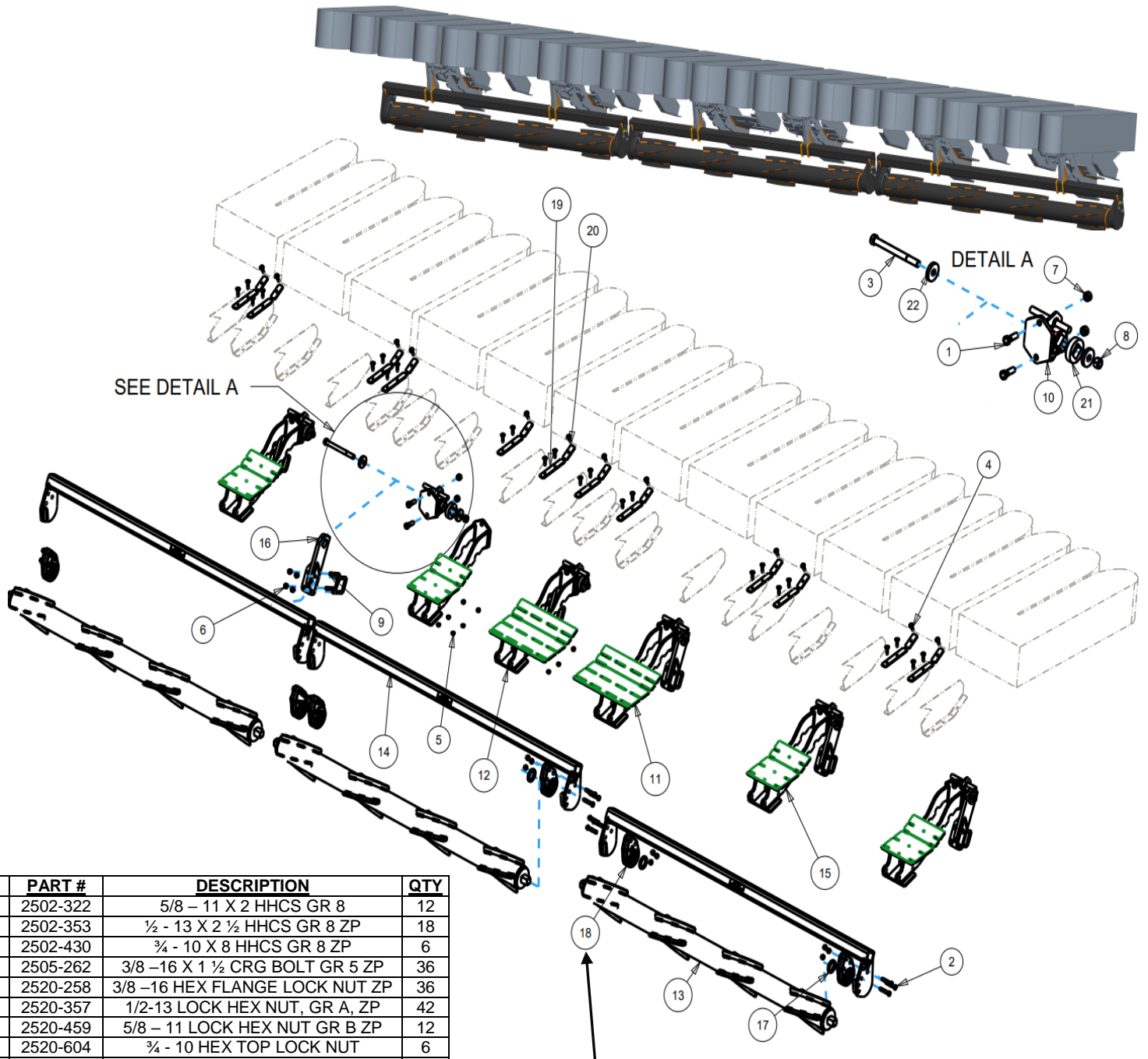
ITEM	PART NO.	DESCRIPTION	QTY
1	2502-322	5/8-11 x 2 HHCS GR 8	20
2	2502-353	1/2-13 X 2 1/2HHCS GR8 ZP	30
3	2502-430	3/4-10 X 8 HHCS GR8, ZP	10
4	2505-262	3/8-16 X 1.5 CARBOLT G5 ZP	60
5	2520-258	3/8-16HEX FLANGE LCK NUT ZP	60
6	2520-357	1/2-13 LOCK HEX NUT, GR A, ZP	70
7	2520-459	5/8-11 LOCK HEX NUT, GR B, ZP	20
8	2520-604	3/4-10 HEX TOP LOCK. GR. C. ZP	10
9	2570-568	1/2 X 2-1/2 X 3-1/2 U-BOLT	20
10	5000-169	TORSION PIVOT ASSEMBLY	10
11	5000-2007	TORSION MOUNT W.A., RIGHT OFFSET	5
12	5000-2008	TORSION MOUNT W.A., LEFT OFFSET	5
13	5000-282	4R22 ROLLER W.A.	3
14	5000-283A	4R22 ROLLER MOUNT W.A.	3
15	5000-292	TORSION ARM W.A.	10
16	5000-322	SHIM WASHER ZP	10
17	5000-355	BEARING ASSEMBLY	10
18	5000-438	BACKING PLATE	20
19	5000-439	BACKING PLATE, SHORT	20
20	5000-468	SPACER	10
21	5000-469	SECURITY CAP	20

2550-059 – DEVASTATOR
BEARING NO CASTING

2533-110 – ¼-28 STRAIGHT
ZERK, SELF TAP

5000-056 PART IDENTIFICATION

DRAGO GT 12 ROW 20" SPACING



2550-059 – DEVASTATOR
BEARING NO CASTING

2533-110 – ¼-28 STRAIGHT
ZERK, SELF TAP

ITEM	PART #	DESCRIPTION	QTY
1	2502-322	5/8 – 11 X 2 HHCS GR 8	12
2	2502-353	½ - 13 X 2 ½ HHCS GR 8 ZP	18
3	2502-430	¾ - 10 X 8 HHCS GR 8 ZP	6
4	2505-262	3/8 –16 X 1 ½ CRG BOLT GR 5 ZP	36
5	2520-258	3/8 –16 HEX FLANGE LOCK NUT ZP	36
6	2520-357	1/2-13 LOCK HEX NUT, GR A, ZP	42
7	2520-459	5/8 – 11 LOCK HEX NUT GR B ZP	12
8	2520-604	¾ - 10 HEX TOP LOCK NUT	6
9	2570-568	½ X 2 ½ X 3 ½ U-BOLT	12
10	5000-169	TORSION PIVOT ASSEMBLY	6
11	5000-2007	TORSION MOUNT, RH OFFSET	1
12	5000-2008	TORSION MOUNT, LH OFFSET	1
13	5000-267	4R20 ROLLER	3
14	5000-275A	4R20/3R30 ROLLER MOUNT	3
15	5000-277	TORSION MOUNT W.A.	4
16	5000-292	TORSION ARM W.A.	6
17	5000-322	SHIM WASHER ZP	4
18	5000-355	BEARING ASSEMBLY	6
19	5000-438	BACKING PLATE	12
20	5000-439	SHORT BACKING PLATE	12
21	5000-468	SPACER	6
22	5000-469	SECURITY CAP	12

TROUBLESHOOTING

ISSUE	CAUSE	CORRECTIVE ACTION
Residue Plugging or wrapping	<ol style="list-style-type: none"> 1. Incorrect Head Angle 2. Roller Mount Tube incorrectly installed 3. Pivot arm orientation incorrect 4. Bearing installed incorrectly 5. Devastator bottomed out 	<ol style="list-style-type: none"> 1. Adjust head angle to 22 – 25 degrees (see page 12) 2. Make sure the Bearing Support Tab is on the backside of the Roller Arm Mount Tube 3. Reposition the pivot arm so that it offsets under the snout & not directly under the row 4. Make sure the side of the bearing that protrudes outside of the cast housing is facing away from the bearing plate. (each roller should spin freely by hand) 5. Lower snouts to raise cutting height or check head angle
Stalk aren't "devastated"	<ol style="list-style-type: none"> 1. Operating corn head too high 2. Traction Bar isn't over row 	<ol style="list-style-type: none"> 1. Raise snouts to lower head until rollers engage, if roller is engaged, this will also apply more pressure to rollers 2. Add 5000-472 Traction Bar extensions Reposition Mount brackets/pivot arms to have more side to side adjustment
Corn Head won't fit on head cart	<ol style="list-style-type: none"> 1. Devastators bottom out 2. Roller won't clear cart tire 3. Storage stands don't rest in the saddles on the cart 	<ol style="list-style-type: none"> 1. Adjust top rail & saddles higher on cart 2. Use side tilt to clear tires (if using a dual rear axle cart) Pin Devastators Up 3. Build an extension for the saddles on the cart (contact Yetter service for more info)
Bearing makes a clunking sound when barrel spins	<ol style="list-style-type: none"> 1. Slop in square shaft on the end of roller & the bearing allows the roller to drop 	<ol style="list-style-type: none"> 1. This is normal, no corrective action needed





2019 MODEL
DEVASTATOR SHOWN



NOTES



A Tradition of Solutions since 1930

Yetter Farm Equipment Co

PO BOX 358 109 S. McDonough

Colchester, IL 62326-0358

Phone: 309-776-4111

Toll Free: 800-447-5777

Email: info@yetterco.com

For updated models and manuals visit the Yetter website:

www.yetterco.com

© Yetter Farm Equipment Co. All Rights Reserved

2565-969_REV_C – 03/2024