



**2984-050D/051A
CAB CONTROL™
STRIP FRESHENER™
YETTER COMPRESSOR**

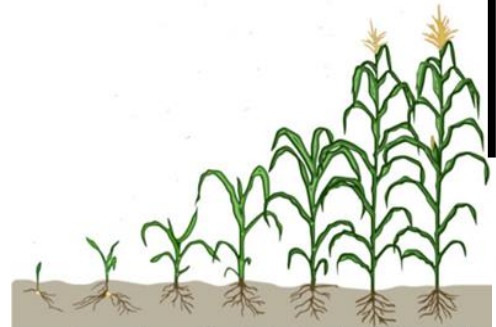
OPERATOR MANUAL
PARTS IDENTIFICATION
2565-968_REV_D • 02/2024



YETTER MANUFACTURING CO.
FOUNDED 1930

Colchester, IL 62326-0358
Toll free: 800/447-5777
309/776-3222 (Fax)
Website: www.yetterco.com
E-mail: info@yetterco.com

GERMINATE UNIFORMITY™



FOREWORD

You've just joined an exclusive but rapidly growing club.

For our part, we want to welcome you to the group and thank you for buying a Yetter product.

We hope your new Yetter products will help you achieve both goals-increase your productivity and increase your efficiency so that you may generate more profit.

This operator's manual has been designed into four major sections: Foreword, Safety Precautions, Installation Instructions and Parts Breakdown.



This **SAFETY ALERT SYMBOL** indicates important safety messages in the manual. When you see this symbol, be alert to the possibility of **PERSONAL INJURY** and carefully read the message that follows.

The word **NOTE** is used to convey information that is out of context with the manual text. It contains special information such as specifications, techniques and reference information of a supplementary nature.

The word **IMPORTANT** is used in the text when immediate damage will occur to the machine due to improper technique or operation. Important will apply to the same information as specified by note only of an immediate and urgent nature.

It is the responsibility of the user to read the operator's manual and comply with the safe and correct operating procedure and to lubricate and maintain the product according to the maintenance schedule in the operator's manual.

The user is responsible for inspecting his machine and for having parts repaired or replaced when continued use of the product would cause damage or excessive wear to the other parts.

It is the user's responsibility to deliver his machine to the Yetter dealer who sold him the product for service or replacement of defective parts, which are covered by the warranty policy.

If you are unable to understand or follow the instructions provided in this publication, consult your local Yetter dealer or contact:

YETTER MANUFACTURING CO.

309/776-4111

800/447-5777

309/776-3222 (FAX)

Website: www.yetterco.com

E-mail: info@yetterco.com

WARRANTY

Yetter Manufacturing warrants all products manufactured and sold by it against defects in material. This warranty being expressly limited to replacement at the factory of such parts or products as shall appear to be defective after inspection. This warranty does not obligate the Company to bear cost of labor in replacement of parts. It is the policy of the Company to make improvements without incurring obligations to add them to any unit already sold. No warranty is made or authorized to be made, other than herein set forth. This warranty is in effect for one year after purchase.

DEALER _____

Yetter Manufacturing warrants its own products only and cannot be responsible for damages to equipment on which mounted.

SAFETY PRECAUTIONS

A brief description of signal words that may be used in this manual:

CAUTION: Used as a general reminder of good safety practices or to direct attention to unsafe practices.

WARNING: Denotes a specific potential hazard.

DANGER: Denotes the most serious specific potential hazard.



CAUTION

Consult your implement and tractor operator's manual for correct and safe operating practices. Be aware of towed implement width and allow safe clearance.



CAUTION: SAFETY SIGNS

Safety decals are placed on the implement to alert the operator and others to the risk of personal injury or unsafe operation during normal operations and servicing.

1. The safety decals must be kept clean and in good condition to ensure that they are legible.
2. Safety decals must be replaced if they are missing or illegible.
3. When components are replaced during repair or servicing, check that the new components include the necessary safety signs.
4. Replacement safety decals may be obtained from your local dealer.



WARNING

Read these instructions carefully to acquaint yourself with the Equipment. Working with unfamiliar equipment can lead to accidents.

Never park the equipment on a steep incline or leave the equipment running unattended.

Never clean, lubricate or adjust a machine that is in motion.

Always check that straps are secure.

Make sure latches are in pinned position when moving equipment.

Do not allow children to operate this equipment.

Do not allow riders on the equipment, trailer and/or pick-up.

Use speed and caution dictated by the terrain being traversed. Do not operate on any slope steep enough to cause tipping or loss of control.

Read and understand the operator's manual and require all other persons who will operate the equipment to do the same.

If operating on public roadways, where legal, be certain all lighting is operating properly and observe all traffic laws.

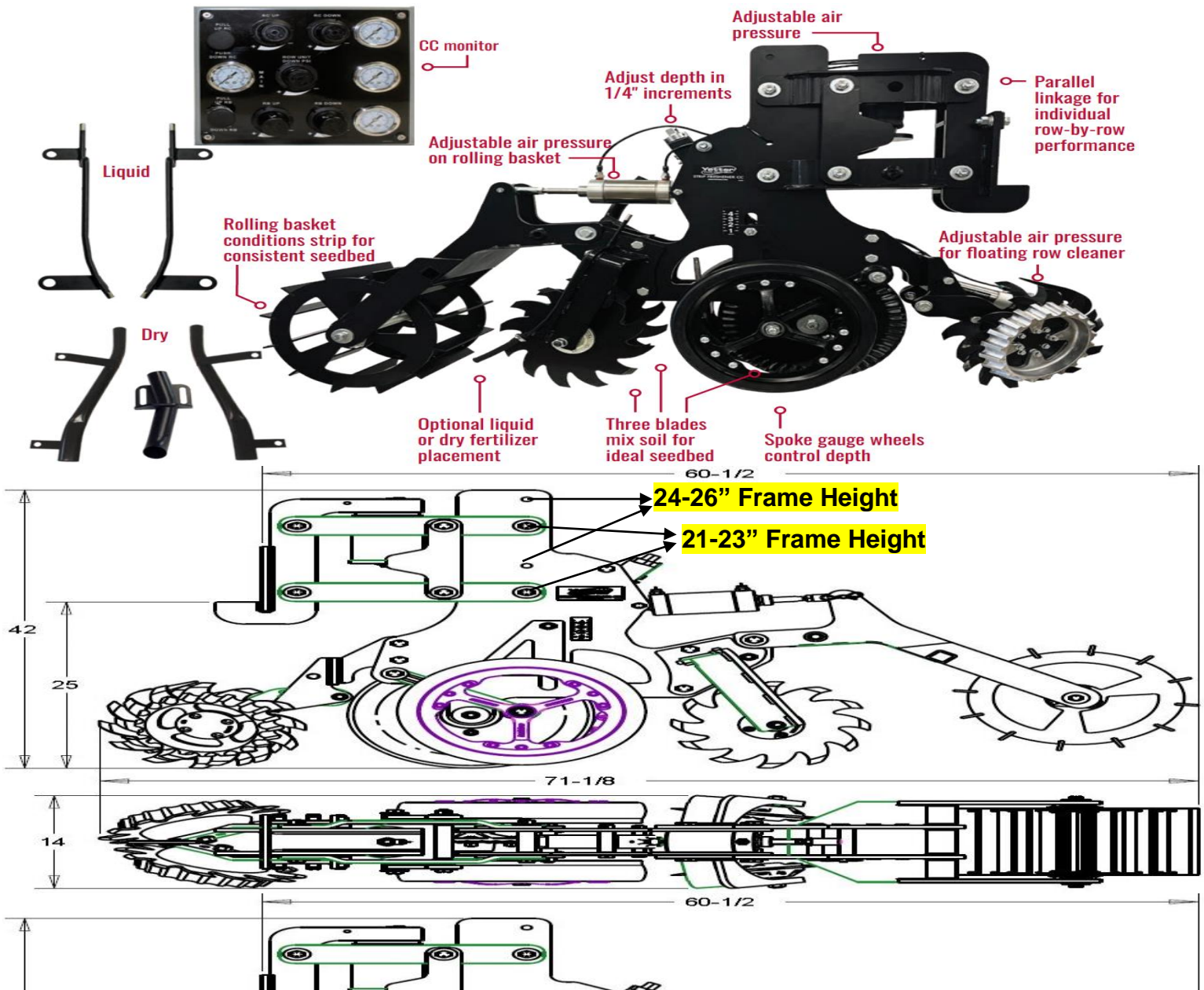
Beware of increased stopping distances and control effort when operating with implements attached.

Be familiar with all controls and be prepared to stop equipment quickly in an emergency.

FAILURE TO HEED MAY RESULT IN PERSONAL INJURY OR DEATH.

TABLE OF CONTENTS

FOREWORD/WARRANTY.....	2
SAFETY PRECAUTIONS.....	3
2984 STRIP FRESHENER CC ADVANTAGES & DIMENSIONS.....	4
FEATURES / BOLT TORQUE.....	5
ASSEMBLY INSTRUCTIONS.....	6 – 15
OPERATION PRECAUTIONS.....	16 – 17
OPERATION.....	17 – 18
MAINTENANCE.....	19 – 20
PARTS IDENTIFICATION	
2984-050/051 STRIP FRESHENER CC ASSEMBLY.....	21 – 22
2984-132 PARALLEL LINKAGE ASSEMBLY.....	23
ROW CLEANER MOUNT / NARROW ROW CLEANER ASSEMBLY.....	24
WIDE ROW CLEANER ASSEMBLY.....	25
GAUGE WHEEL ASSEMBLY / BERMING DISC ASSEMBLY.....	26
ROLLING BASKET ASSEMBLY.....	27
WHEEL & HUB/BEARING ASSEMBLY.....	28
SCREW ADJUST ASSEMBLY / 2984-082/083 FERTILIZER TUBE KIT.....	29
2984-084 & 2984-085 FERTILIZER KIT.....	30
PNEUMATIC CONTROL BOX.....	31
COMPRESSOR/COMPRESSOR MOUNT KITS.....	32-33
SMALL PARTS / AIRLINE KITS.....	34
TROUBLESHOOTING.....	35



2984-050-R Yetter Strip Freshener

Features:

- Parallel Linkage/Pneumatic Row Unit Down Force for consistency for all field contours, soil types, & conditions.
- Designed for use with pneumatic row cleaner to enhance strip cleanliness
- Operating speeds between 6-10mph & depth adjustment between 1"-4"
- Two Shark Tooth or Shallow (13) wave wheels run at an angle to churn dirt for optimal seed bed preparation
- Optional liquid or dry fertilizer kits are available for additional value to this field pass
- Heavy Duty, Pneumatic Rolling Basket conditions the strip

BOLT TORQUE

Mounting bolts and hardware

All hardware is Grade 5 unless otherwise noted. Grade 5 cap screws are marked with 3 radial lines on the head. If hardware must be replaced, be sure to replace it with hardware of equal size, strength & thread type. Refer to the torque values chart when tightening hardware.

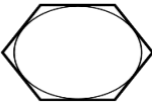


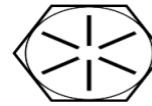


Important: Over-tightening hardware can cause just as much damage as under-tightening. Tightening hardware beyond the recommended range can reduce its shock load capacity.

The chart below is a guide for proper torque. Use it unless a specified torque is called out elsewhere in the manual. Torque is the force applied to the end of the handle or cheater bar, times the length of the handle or bar.

Use a torque wrench wherever possible.

The following table shows torque in ft.-lbs. for coarse thread hardware.

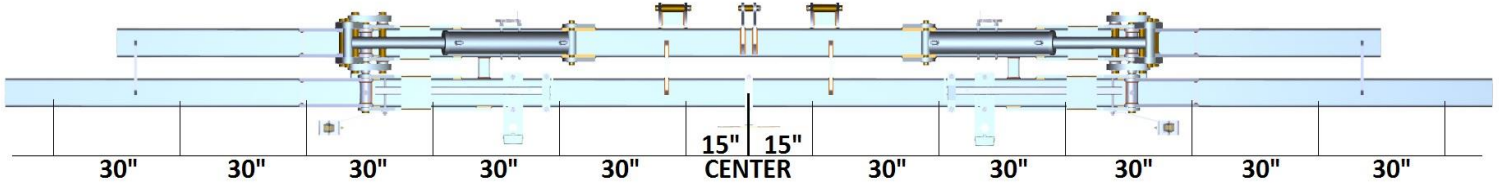
Bolt Diameter and Threads per Inch	 Grade 2	 Grade 5	 A-325	 Grade 8
1/4	6	10	14	14
5/16	12	20	30	30
3/8 – 16	25	35	50	50
7/16 – 14	35	55	80	80
1/2 – 13	55	85	125	125
9/16 – 12	75	125	175	175
5/8 – 11	105	170	235	235
3/4-10	185	305	425	425
7/8 – 9	170	445	690	690
1-8	260	670	1030	1030
1 1/8 – 7	365	900	1460	1460
1 1/4 - 7	515	1275	2060	2060
1 3/8 – 6	675	1675	2700	2700
1 1/2 - 6	900	2150	3500	3500
1 3/4 – 5	1410	3500	5600	5600

CHECK HARDWARE DAILY FOR DAMAGE, WEAR, & LOOSENESS. TIGHTEN AS NEEDED

TOOLS NEEDED: 1/2" Drive Impact, 1/2" Drive Torque Wrench, 1/4" Drive Socket & Ratchet Set, Funnel for adding oil in Yetter Hyd. Compressor, Air Tubing Cutters, Side Cutters, Pliers, Standard Wrenches, Standard Sockets, Tape Measure, Marker

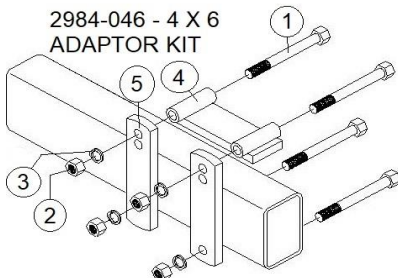
Assembly Instructions

Prepping the Toolbar – Using a Marker, mark center of toolbar. Once center is marked, measure off of the mark half the distance of what row spacing of each unit will be. For example, if you are setting up the toolbar for 30" row spacing, measure off of your center mark 15" on each side and make a mark. A 30" layout is pictured below for reference. If you are setting the toolbar up on 20" row spacing, measure 10" on each side of the center mark and make a mark. Mark the center of the mounting plate on each strip freshener.

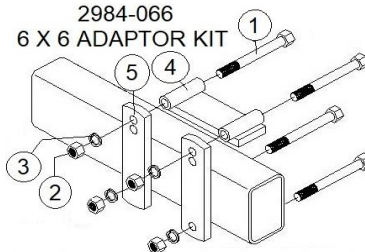


Installing the units – Align the marks on toolbars where each strip freshener is to be installed with the marks on the mounting plate on the strip freshener & use the hardware to mount each unit. If clearance issues with weldments or hinge points on the toolbar arise, alternate parts may be required. Fold the toolbar when all units installed to check for any clearance issues.

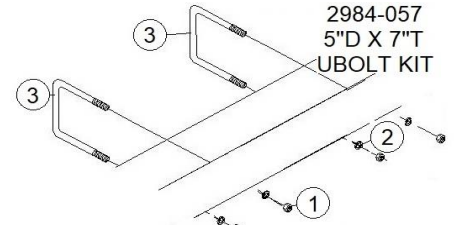
NOTE: OFFSET MOUNTING BRACKET OPTIONS ARE AVAILABLE, CALL YETTER SERVICE, 1-800-447-5777



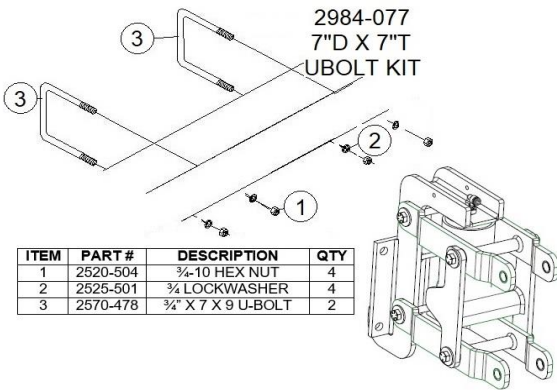
ITEM	PART #	DESCRIPTION	QTY
1	2502-509	3/4-10 X 7 HHCS GR 5	4
2	2520-504	3/4-10 HEX NUT	4
3	2525-501	3/4 LOCKWASHER	4
4	2988-204	ADAPTER	1
5	2988-306	STRAP	2



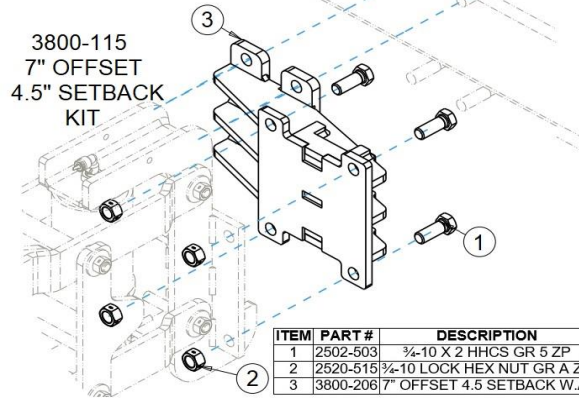
ITEM	PART #	DESCRIPTION	QTY
1	2502-514	3/4-10 X 9 HHCS GR 5	4
2	2520-504	3/4-10 HEX NUT	4
3	2525-501	3/4 LOCKWASHER	4
4	2988-224	ADAPTER	1
5	2988-306	STRAP	2



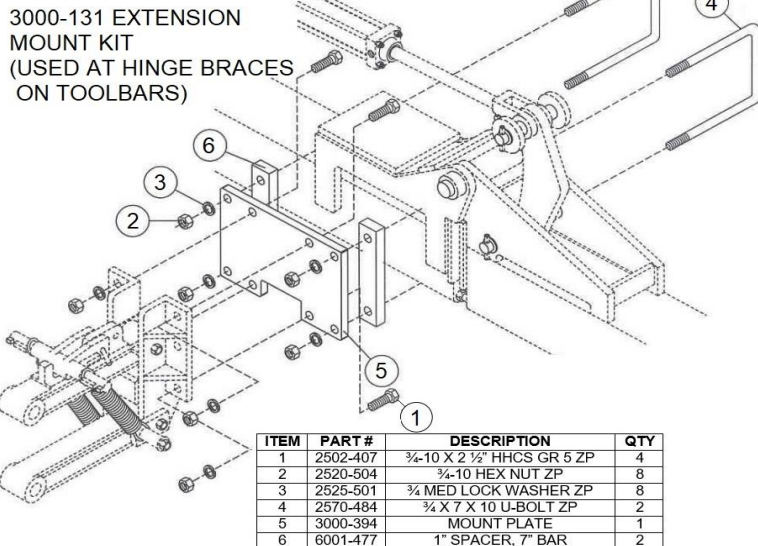
ITEM	PART #	DESCRIPTION	QTY
1	2520-504	3/4-10 HEX NUT	4
2	2525-501	3/4 LOCKWASHER	4
3	2570-477	3/4\" X 7 X 7 U-BOLT	2



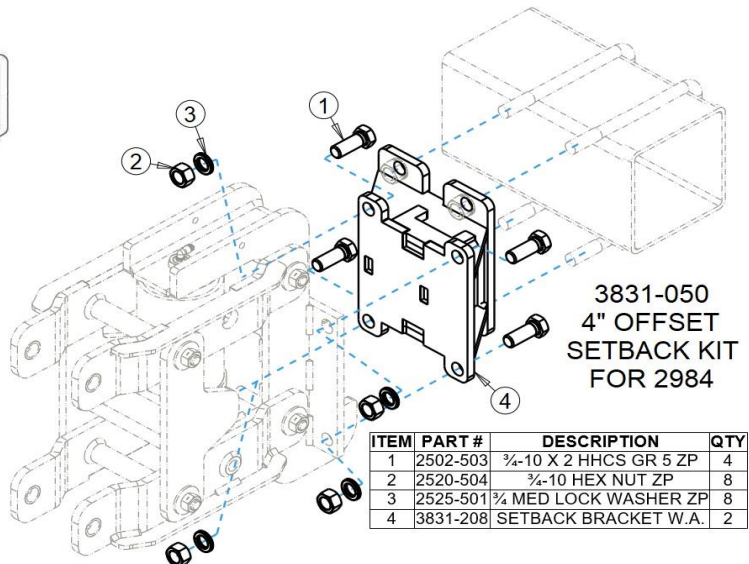
ITEM	PART #	DESCRIPTION	QTY
1	2520-504	3/4-10 HEX NUT	4
2	2525-501	3/4 LOCKWASHER	4
3	2570-478	3/4\" X 7 X 9 U-BOLT	2



ITEM	PART #	DESCRIPTION	QTY
1	2502-503	3/4-10 X 2 HHCS GR 5 ZP	4
2	2520-515	3/4-10 LOCK HEX NUT GR A ZP	4
3	3800-208	7\" OFFSET 4.5\" SETBACK W.A.	2



ITEM	PART #	DESCRIPTION	QTY
1	2502-407	3/4-10 X 2 1/2\" HHCS GR 5 ZP	4
2	2520-504	3/4-10 HEX NUT ZP	8
3	2525-501	3/4 MED LOCK WASHER ZP	8
4	2570-484	3/4 X 7 X 10 U-BOLT ZP	2
5	3000-394	MOUNT PLATE	1
6	6001-477	1\" SPACER, 7\" BAR	2



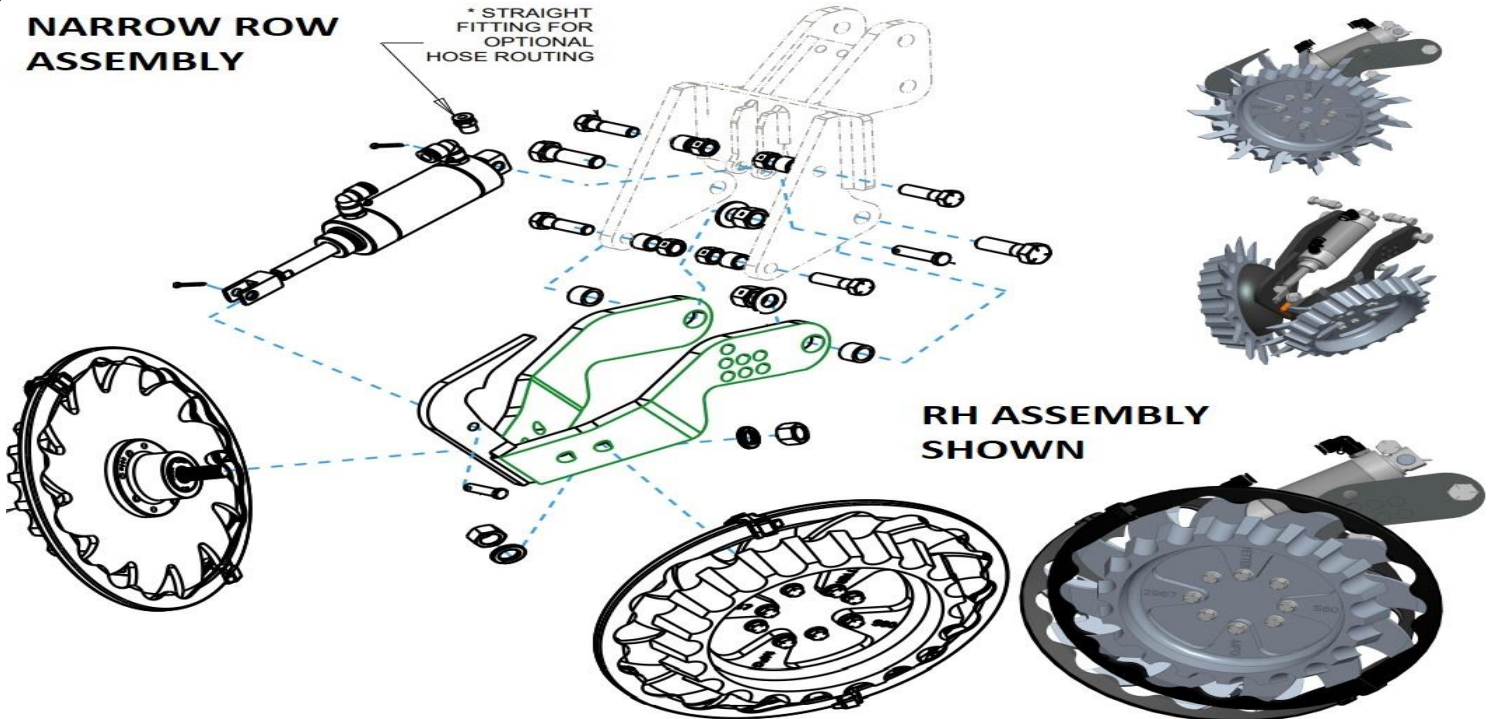
ITEM	PART #	DESCRIPTION	QTY
1	2502-503	3/4-10 X 2 HHCS GR 5 ZP	4
2	2520-504	3/4-10 HEX NUT ZP	8
3	2525-501	3/4 MED LOCK WASHER ZP	8
4	3831-208	SETBACK BRACKET W.A.	2

Assembly Instructions

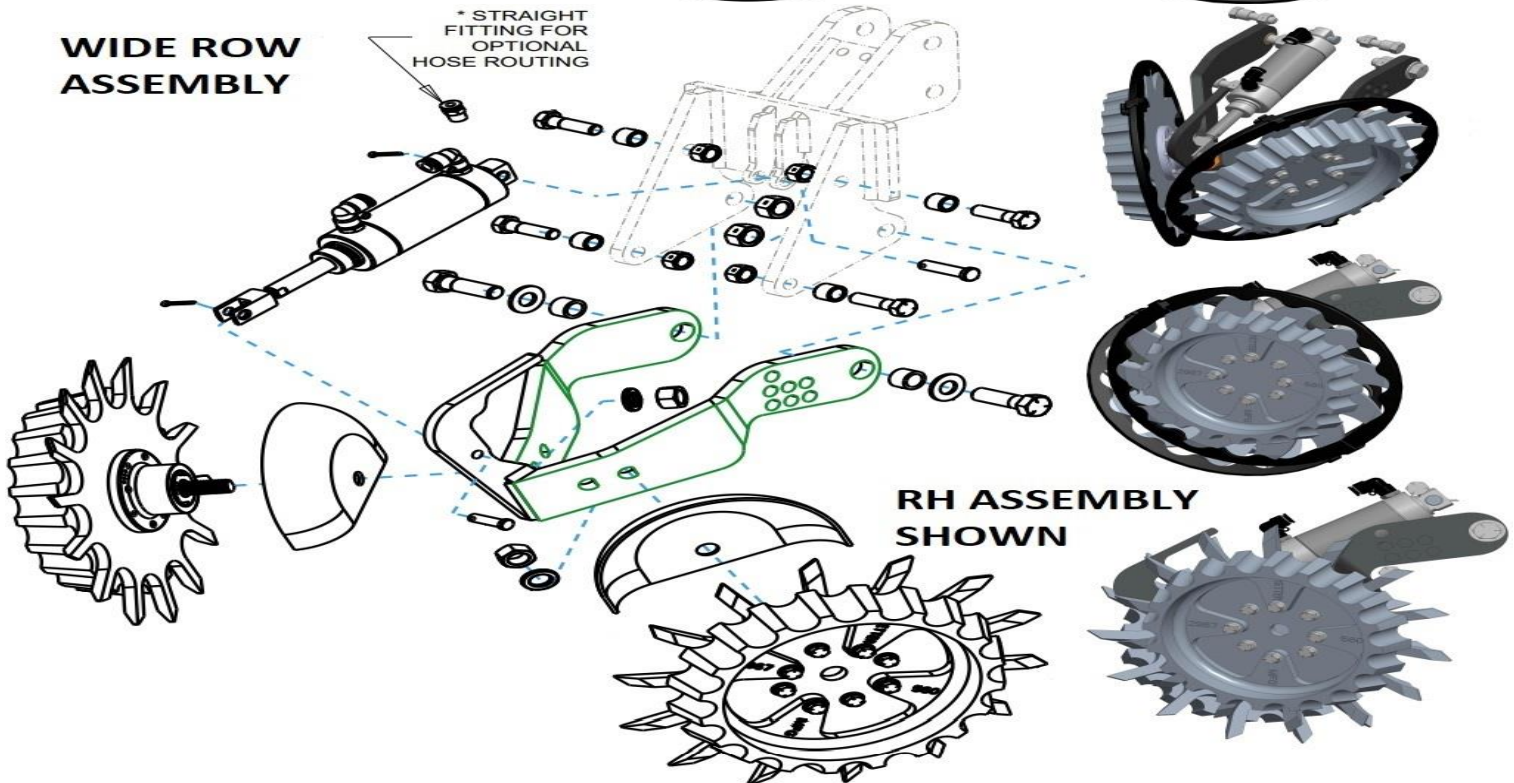
Row Cleaner Assembly

Assemble wide/narrow pivot arms, depending on application, to mount on strip freshener CC unit. Narrow arms go on inside of row cleaner mount plates & wide arms go on outside of row cleaner mount plate. Place a pivot bushing in rear hole on each side of pivot arms, align hole on each arm with rear hole on each side of row cleaner mount bracket, slide a 5/8" X 2" bolt through, & fasten with a 5/8" lock nut. Install down stop & up stop components next. Install a 1/2" X 1 3/4" bolt through remaining 2 holes on each side of row cleaner mount plate, slide a 9/16" spacer over each bolt, & fasten in place with a 1/2" lock nut. Assemble air cylinder to row cleaner; place clevis on rod end of cylinder over hole on pivot arm handle & install shorter pin & 1/8" cotter pin. Install anchor end of cylinder between mount tabs on row cleaner faceplate & install longer pin & 1/8" cotter pin. If using beveled wheel row cleaner assemblies, place half-moon bearing shield over D-bolt, slide D-bolt in D-hole on pivot arms, & fasten wheel assembly to pivot arm using a 5/8" lock washer & 5/8" nut. Shark tooth wheel row cleaner assemblies do not need half-moon bearing shield, just slide D-bolt thru pivot arm & fasten using 5/8" lock washer & 5/8" hex nut. Install row cleaner wheels in back set of holes on pivot arm or you can stagger them if desired: Left wheel leads, right wheel trails on left hand side of toolbar, right wheel leads, left wheel trails on right hand side of toolbar. **REMOVE PLASTIC GUARDS FROM WHEEL ASSEMBLIES AFTER INSTALLATION IS COMPLETE!!!**

NARROW ROW ASSEMBLY



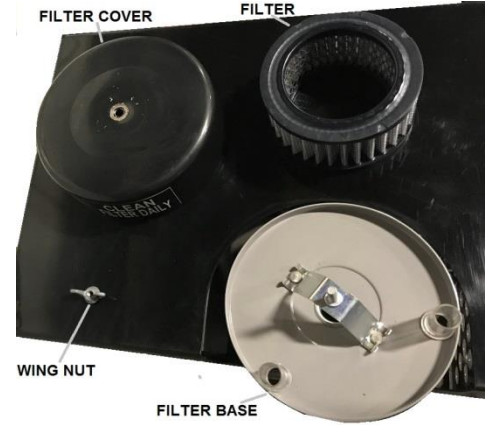
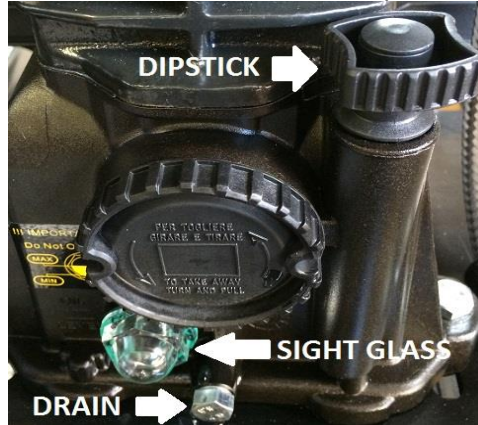
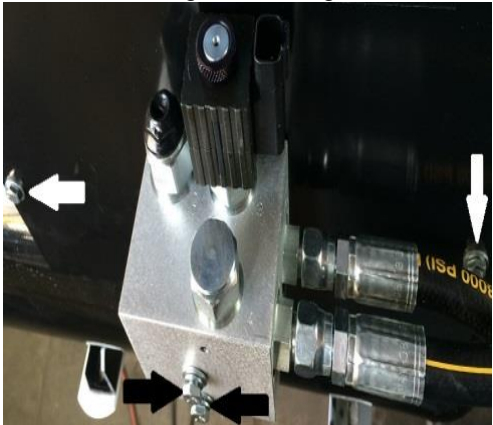
WIDE ROW ASSEMBLY



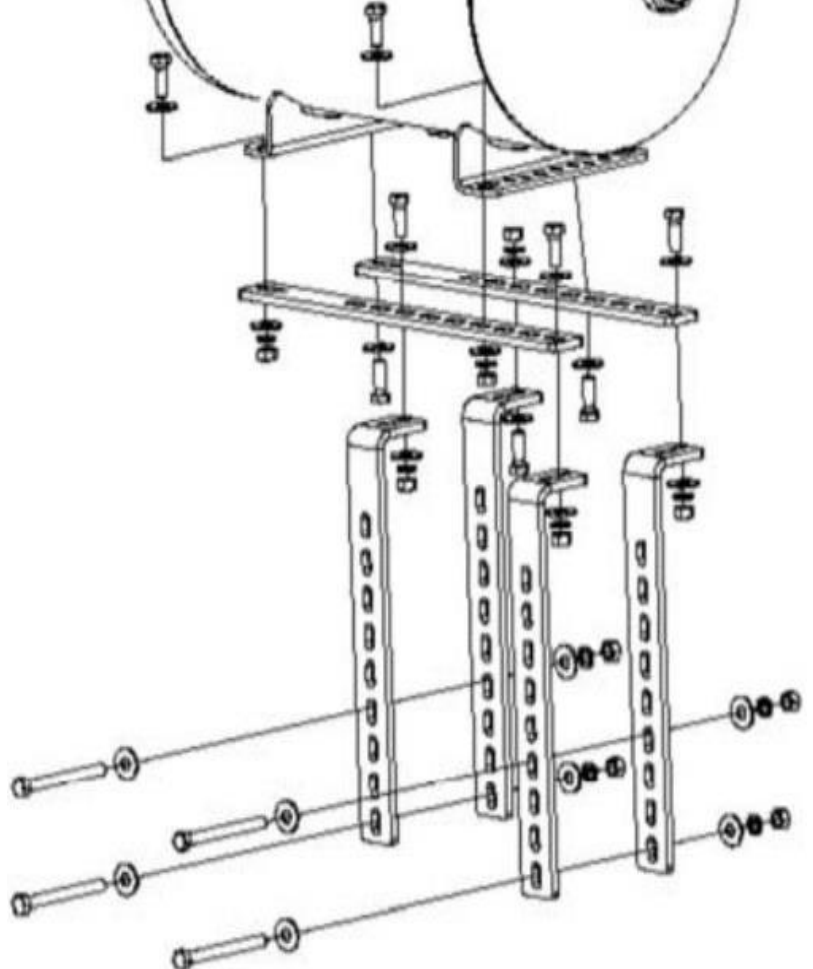
Assembly Instructions

Hydraulic Compressor Assembly (if ordered)

Prepping – The crate labeled 2940-055 should include the Yetter hydraulic compressor, 1 liter bottle of oil, 2940-181 hyd. comp. solenoid/pressure switch harness, & 2940-189 10' hyd. communication harness. The 2940-181 & 2940-189 can be discarded. Remove compressor from crate. Remove housing by removing 6 bolts (4 are pictured in picture 1 below, the other 2 are on opposite side of the housing) using a ratchet with 7/16 socket & a 7/16 wrench. Remove the dipstick & slowly fill pump with provided oil until oil reaches the fill line on the sight glass. Fill pump slowly as there is a significant delay between oil entering pump & seeing oil on the sight glass. Confirm the oil level is full on the dipstick as well. Reinstall the dipstick, housing, & control block. Remove the wing nut on the air filter housing, remove the air filter cover, & inspect the condition of the air filter. Reinstall the filter, cover, & wing nut making sure the filter is sealed between the filter base plate & cover.



Mounting – Each strip till machine will have its own unique mounting location. Select an area to mount the compressor that is centrally located near hitch of tractor. **YOU SHOULD EXERCISE YOUR OWN BEST JUDGEMENT TO FIT YOUR SITUATION.** Use mounts supplied or depending on application different mounts may need to be built or Yetter mounts may need modified. Be sure to check clearance in all locations, especially noting tractor tires, folding/unfolding toolbar for transport mode, marker arms, & fertilizer tanks. The 2940-086 universal mount kit is most commonly used mount for this application, longer bolts may be needed.

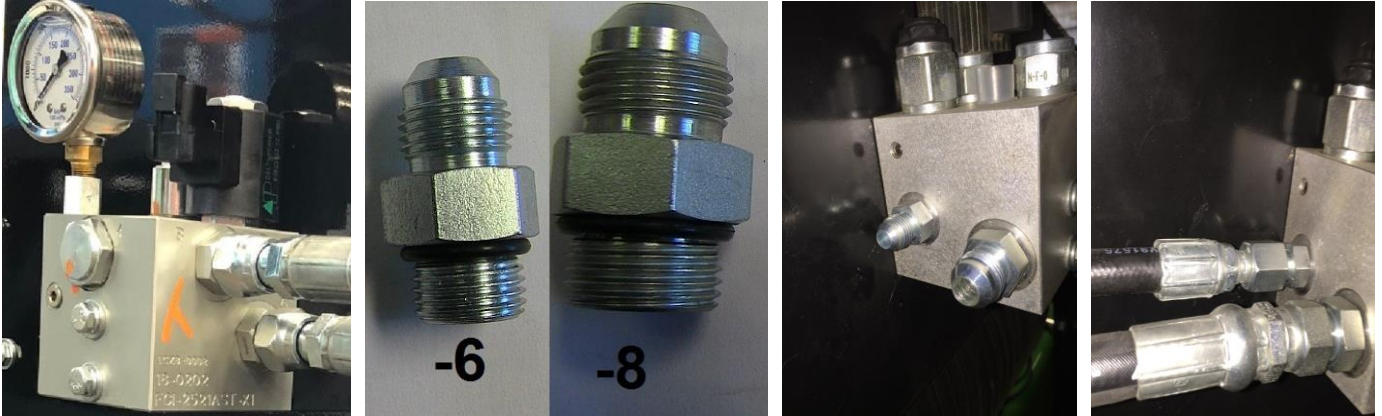


Assembly Instructions

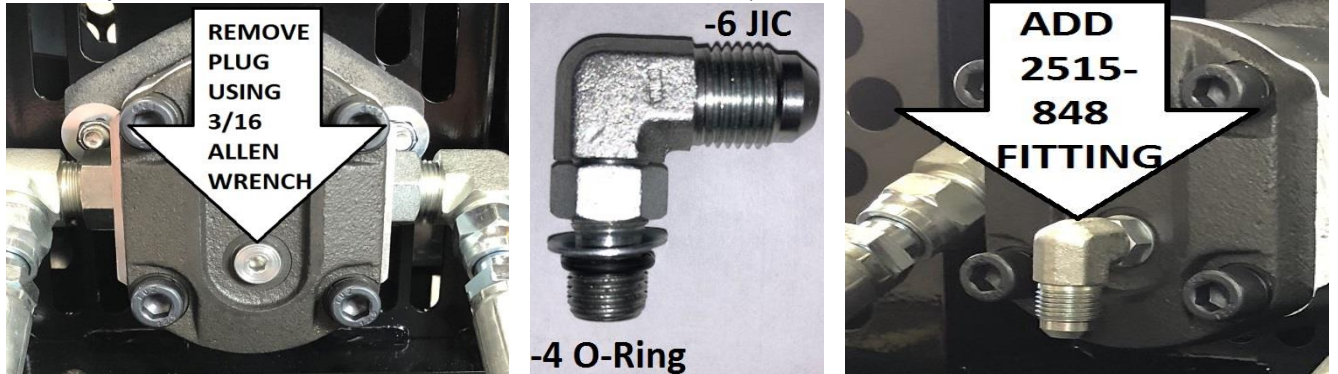
Hydraulic Compressor Assembly (if ordered)

Plumbing

- A) Attach the hydraulic pressure gauge to the port on the hydraulic block labeled GP (may already be assembled).
- B) Remove the cap from the - 6 port (also labeled P on the Hydraulic Control Block) & install the 2515-431 - 6 ORB (O-Ring Boss) to - 6 JIC straight adaptor fitting so that the O-Ring end goes into the hydraulic block & the JIC end faces away from the block. Install 1) 2515-831 3/8 - 6 10ft hydraulic hose to that fitting.
- C) Remove the cap from the - 8 port (also labeled T on the Hydraulic Control Block) & install the 2515-833 - 8 ORB to - 8 JIC straight adaptor fitting so that the O-Ring end goes into the hydraulic block & the JIC end faces away from the block. Install the 2515-832 1/2 - 8 10ft hydraulic hose to that fitting.



- C) Remove the cap plug from the - 4 port on the motor using a 3/16 hex key wrench or screwdriver if this has a rubber plug (this is the Case Drain port) & install the 2515-848 -4 ORB to - 6 JIC 90 degree adaptor fitting so that the O-Ring end goes into the hydraulic motor & the JIC end faces downward. Install 1) 2515-831 3/8 - 6 10ft hydraulic hose to that fitting.



Attach 1 pioneer coupler to the 1/2" hydraulic hose for the compressors return using -8JIC - -8ORB adaptor. Attach 1 pioneer coupler to the 3/8" hydraulic hose for the compressor pressure using -6JIC - -8ORB adaptor. Connect the hydraulic hose attached to case drain on the motor to the case drain connector on the tractor. Case drain coupler not provided. The Yetter hyd. compressor is equipped with a case drain port on the motor. Case Drain is a pressure free circuit that provides a flow path to the reservoir for hydraulic fluid used to cool & lubricate the motor. Make sure to connect case drain to reservoir where the hydraulic flow to the compressor is received. If tractor isn't equipped with case drain, a kit may be purchased from the tractor OEM dealer.

PIONEER COUPLER



CASE DRAIN FLAT FACE COUPLERS



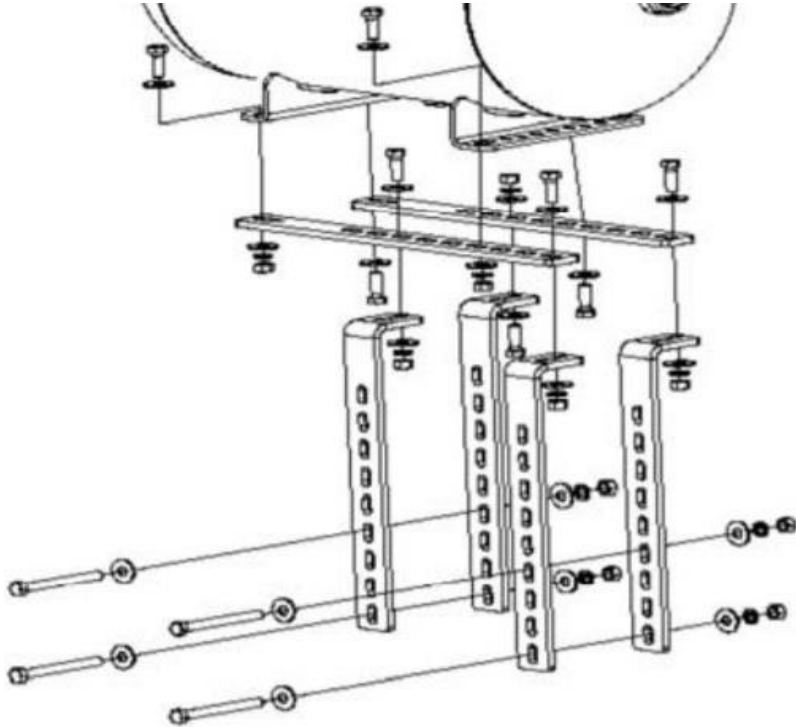
CONNECTED AT TRACTOR DRAIN



Assembly Instructions

Electric Compressor Assembly (if ordered)

Mounting – Each strip till machine will have its own unique mounting location. Select an area to mount the compressor that is centrally located near hitch of tractor. **YOU SHOULD EXERCISE YOUR OWN BEST JUDGEMENT TO FIT YOUR SITUATION.** Use mounts supplied or depending on application different mounts may need to be built or Yetter mounts may need modified. Be sure to check clearance in all locations, especially noting tractor tires, folding/unfolding toolbar for transport mode, marker arms, & fertilizer tanks. The 2940-086 universal mount kit will be most commonly used mount for this application.



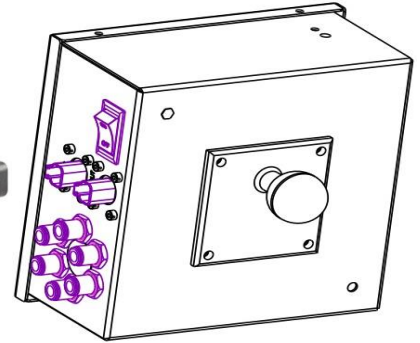
Power Cable Installation - : Install the 2940-150 main power cable with 80A breaker on the operating tractor's battery. Red cable installs on the positive (+) battery terminal post and the black cable installs on the negative (-) battery terminal post. From the open 2 pole Anderson connector of the 2940-150, safely route & install the appropriate length of main power extension cables, 2940-151 is a 10ft main power extension & 2940-163 is a 20ft main power extension, into the Anderson connector that comes out of the bottom of the compressor housing. If operating tractor is articulating or if compressor is further back on the planter than the hitch, more extension cables may be needed. **Cable length from the battery to the compressor should not exceed 50 feet. Longer than 50 feet distances cause the 80A breaker to become weak and trip often. If distance is greater than 50 feet, heavier cable needs made using 00 gauge wire.**



Assembly Instructions

Mount the Control Box

Attach the 2984-512 Ram ball base to the tractor's monitor mounting device. Some tractors have round tube & some have slotted flat steel. Pick a location near the right rear corner post so that adjustments can be made easily while viewing the strip freshener units' performance. Attach the 2984-513 double socket arm to the tractor mounted ball & the control box mounted ball & tighten the T-knob to fix the control box into place.

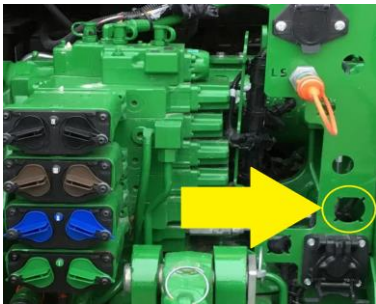
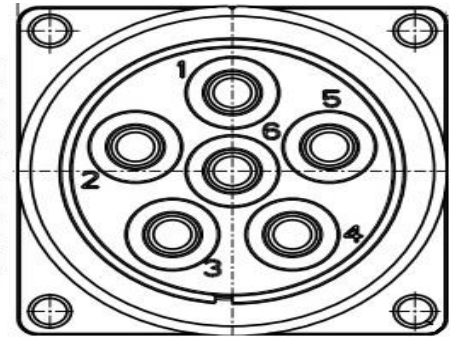


Plumbing the Control Box – Mounting the 2515-907 Coupler

Route the 2984-162 Cab Airline Bundle from the toolbar to the control box inside the tractor cab. Install each color airline into the port # that matches the circuit described below. Install the 2515-907 6 port airline coupler at the hitch of the tractor (mounting hardware not included), cut each color airline of the 2984-162 at the coupler & install the airline into each side of the coupler as shown in the diagram below. At the end of the 2984-162 that is at the toolbar, cut each color (except RED) of airline to length & tee each color into its corresponding circuit once the trunk airline is plumbed for each circuit. If the remaining length of airline from the 2984-162 isn't long enough to reach from the hitch to the toolbar, use airline out of the 100ft rolls & use the remainder of the 2984-162 somewhere else.

- 1 – Compressor Supply **RED**
- 2 – Row Cleaner Down **BLACK**
- 3 – Row Cleaner Up **BLUE**
- 4 – Row Unit Down Force **ORANGE**
- 5 – Rolling Basket Down **GREEN**
- 6 – Rolling Basket Up **YELLOW**

1	COMP	RED	COMP
2	RC DN	BLACK	RC DN
3	RC UP	BLUE	RC UP
4	DF	ORANGE	DF
5	RB DN	GREEN	RB DN
6	RB UP	YELLOW	RB UP



1	COMPRESSOR SUPPLY
2	ROW CLEANER DOWN
3	ROW CLEANER UP
4	ROW UNIT DOWN FORCE
5	ROLLING BASKET DOWN
6	ROLLING BASKET UP



2515-907 6 PORT COUPLER

Plumbing the Compressor

Install the 1200-353 3/8 Stem to 1/4PC reducer into the outlet 3/8" outlet elbow on the compressor. Install the 1/4" **RED** airline from the 2984-162 Cab Airline Bundle into the 1/4"PC.



Assembly Instructions

Switched Power – Electric or Hydraulic Compressors

Attach the male 2 pin connector of the 2940-153 to the female 2 pin connector on the 2984-156 Cab Controller that is closest to the front side. Install the connector not provided for your tractor at the bare end of the 2940-153 and connect to tractors switched power source. Connect the black wire on the Yetter harness to the black wire of the switched power harness. Connect the red wire on the Yetter harness to the orange wire on the switched power harness. Connecting the red wire on the Yetter harness to the red wire on the switched power harness will provide constant power to the switch on the Yetter control box and may lead to draining the tractor's battery.

At the compressor, install the compressor control harness; 1) male 2 pin connector plugs into extension harness from tractor cab, 1) male 2 pin connector plugs into the compressors solenoid, & 1) 2 pin female connector plugs into pressure switch.

Install 1) 2940-154 30' extension from the connector near the back side of the cab controller to the hitch of the tractor. Install as many of the 2940-154 30' Extensions as necessary to connect the Y harness at the compressor to the 2 pin connector at the hitch of the tractor.



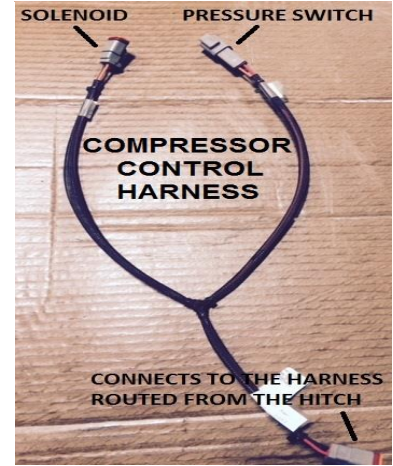
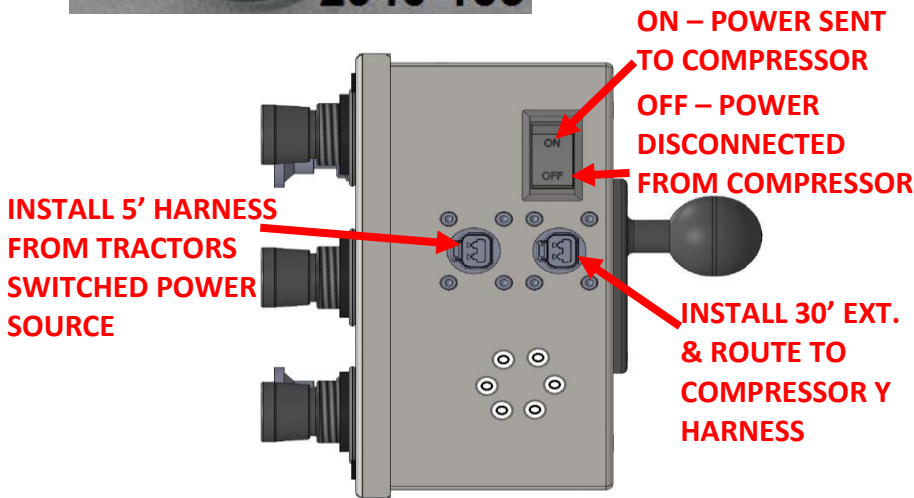
Switched Power Source
Connector part #'s:

JD PART #: RE67013

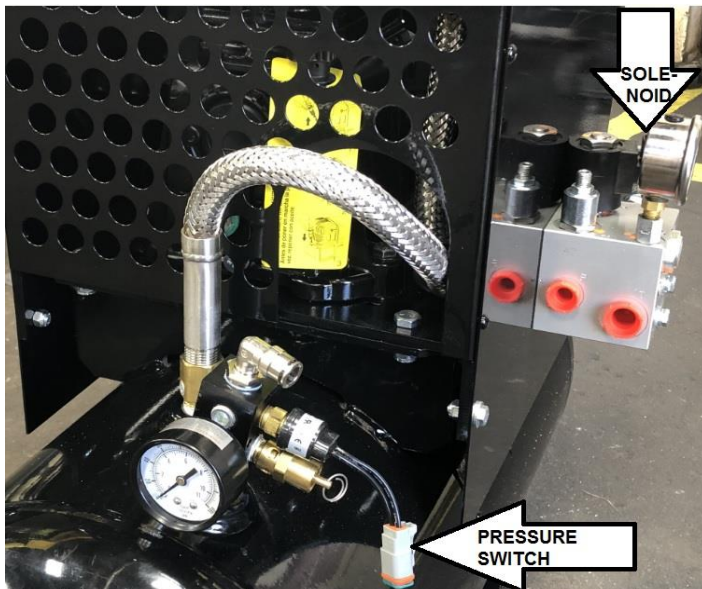
CNH PART #: 187103A1

CAT P/N: AG233356

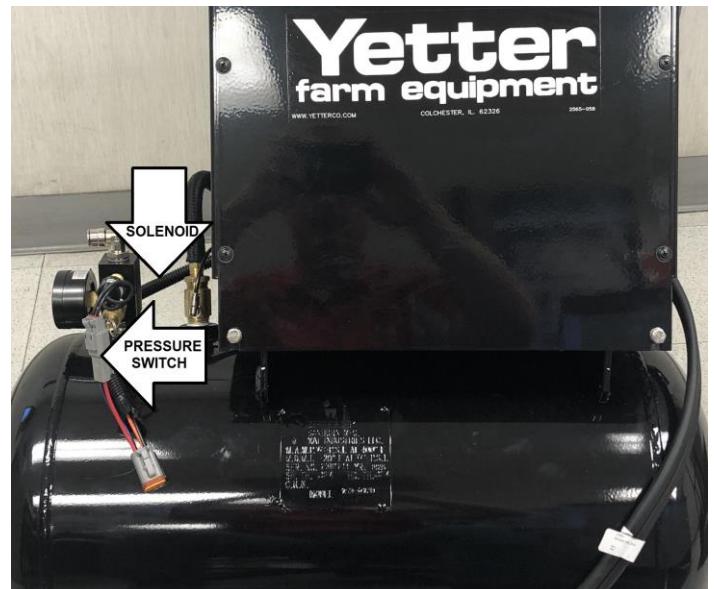
----->



HYDRAULIC COMPRESSOR



ELECTRIC COMPRESSOR



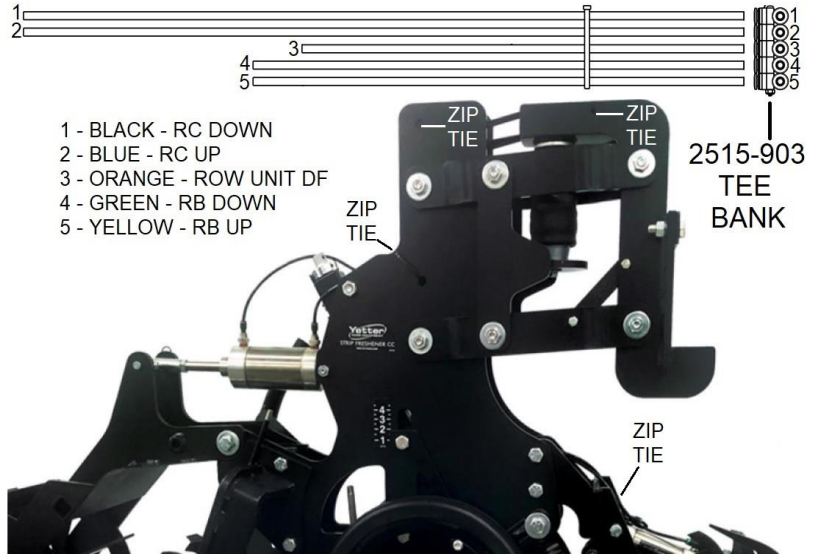
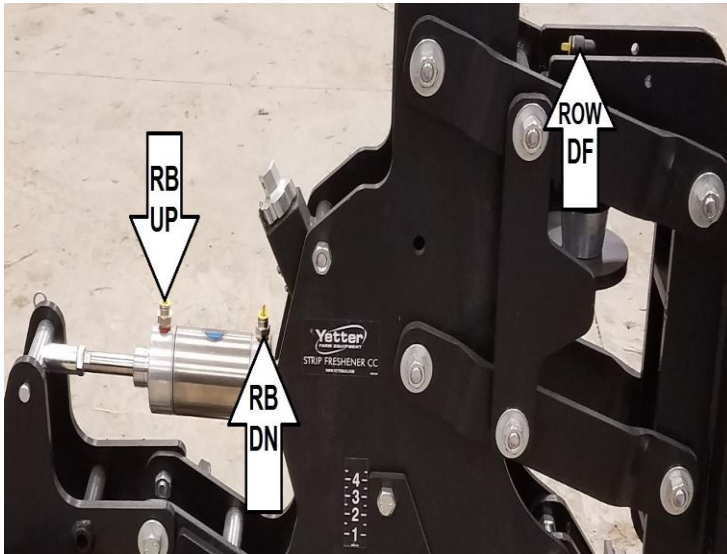
Assembly Instructions

Plumbing Each Strip Freshener – Row Unit Bundle

Row Cleaner Down – Use 1/4" **BLACK** plumb this circuit **Row Cleaner Up** – Use 1/4" **BLUE** airline to plumb this circuit **Row Unit Down Force** – Use 1/4" **ORANGE** airline to plumb this circuit **Rolling Basket Down** – Use 1/4" **GREEN** airline to plumb this circuit **Rolling Basket Up** – Use 1/4" **YELLOW** airline to plumb this circuit

Step 1: Install 2984-161 Row Unit Bundle W/ Tee Bank at each row unit. Use zip ties to keep airlines away from wear/pinch points on each row

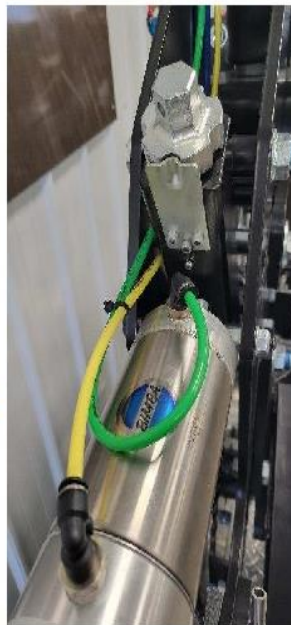
1/4" TEE



ROW CLEANER

ROLLING BASKET

BACKSIDE TO TOOLBAR



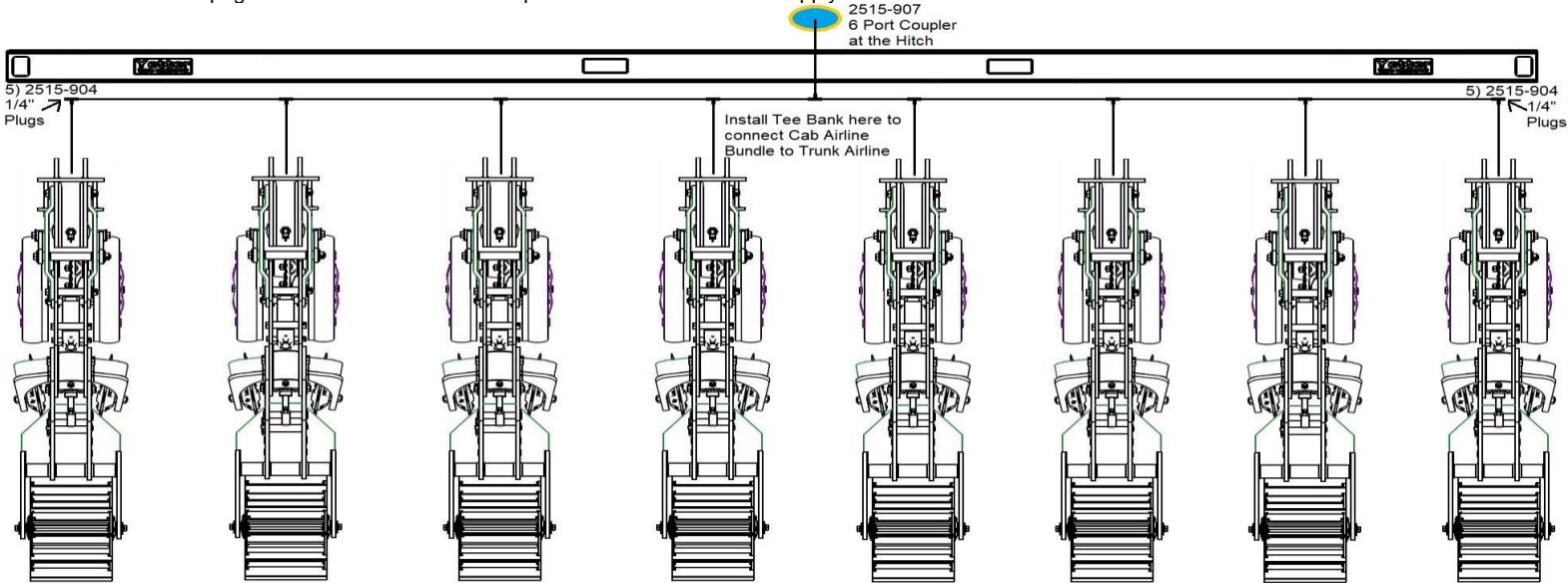
Assembly Instructions

Plumbing Strip Freshener Trunk Airlines

General Plumbing Instructions

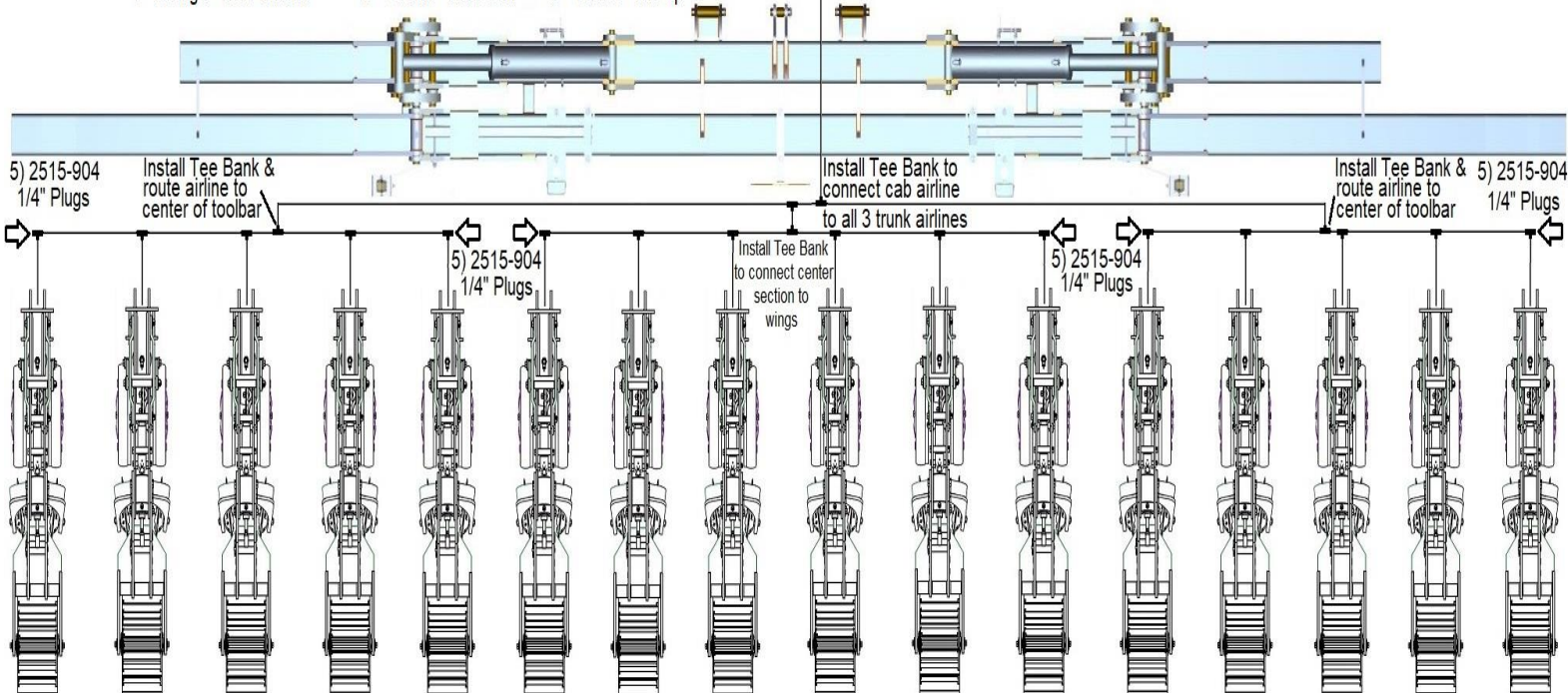
Smaller, rigid toolbars will have 1 trunk airline from 1st row to last row for each circuit. Folding toolbars will have 3 trunk airline groups for each circuit; left wing, center frame, & right wing. See diagrams below for rigid (8 row shown) & folding (16 row shown) as a template for your application. Trunk airlines should be routed on top side of toolbar keeping airline away from wear points & pinch points. Each end of airline should be cut flush. Make sure to leave plenty of slack at hinges for folding/unfolding & for when toolbar flexes. On front fold toolbars, route the airline from the 6 port hitch coupler down 1 or both draft tubes to feed trunk airlines.

Rigid Toolbar – After each row unit airline bundle & tee bank are installed on each row, use the 100' rolls of each color of airline to install airline between each row & make sure to keep the airline color coordinated for each circuit. At each end row's tee bank, use 2515-904 1/4" plugs to cap off the end of the tee bank. If you do not want to use the plugs, you could remove the row unit airline bundle & tee bank from each outside row & use the 100ft rolls to connect row 1 to row 2s tee bank & the last row to the next to last rows tee bank. When the trunk airline is complete, install a tee bank centrally located on the toolbar, install the 2984-162 Cab Airline Bundle from page 11 into this tee bank to complete the installation of the supply airline into the trunk airline.



Folding Toolbar – After each row unit airline bundle/tee bank are installed on each row, use 100' rolls of each color of airline to install airline between each row, keep airline color coordinated for each circuit. Narrow transport toolbars may only have 4 rows on center section so number of rows for each sections' trunk airline will vary. Plumb airline between each row on left wing, then center section, & then right wing. Use 5) 2515-904 1/4" Plugs to cap off the tee bank on 1st & last row of each section. At center of each sections' trunk airline, cut each color of airline & install a Tee Bank. Install each color of airline from Tee Bank on left wing & right wing to the center of toolbar. Use a Tee Bank to connect airlines from each wing by circuit, & then install each color of airline from the remaining port of this Tee Bank to Tee Bank on center section. Install another Tee Bank next to Tee Bank that connects all 3 sections together & install each color airline between this Tee Bank & 2515-907 6 Port Coupler at Hitch. This should complete plumbing installation as 2984-156 Cab Controller should be supplying air to each circuit on each section of toolbar.

- 1 - Red - Compressor Supply
- 2 - Black - RC Down
- 3 - Blue - RC Up
- 4 - Orange - Row Unit DF
- 5 - Green - RB Down
- 6 - Yellow - RB Up

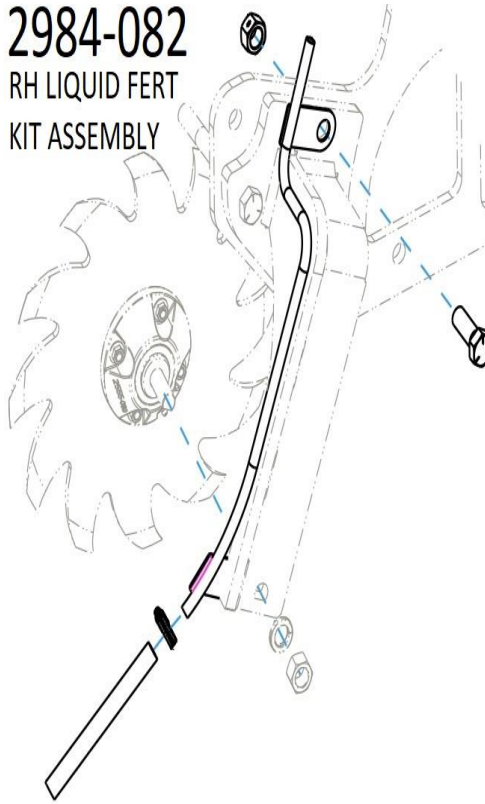


Assembly Instructions

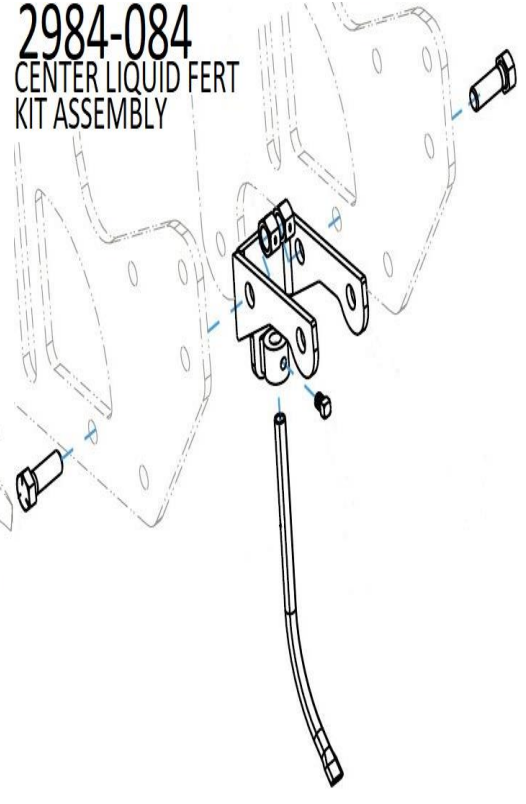
Installation of the Fertilizer Tubes (If Applicable)

Below are assembly diagrams for the 4 fertilizer tube kits offered for the 2984 Strip Freshener CC units. An additional clamp on hose is offered for each of the liquid kits to get the fertilizer closer to the soil profile to help keep the fertilizer in the desired location & keep splatter to a minimum. When installing the fertilizer delivery hoses, follow the same route as the airlines. Follow the OEM installation instructions on flow rate, orifices, etc.

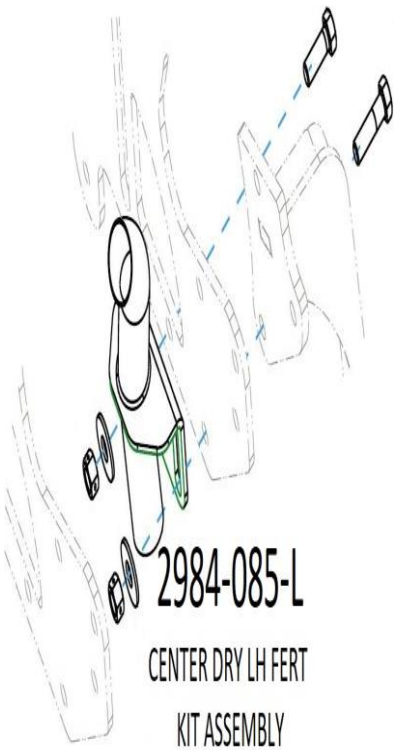
2984-082
RH LIQUID FERT
KIT ASSEMBLY



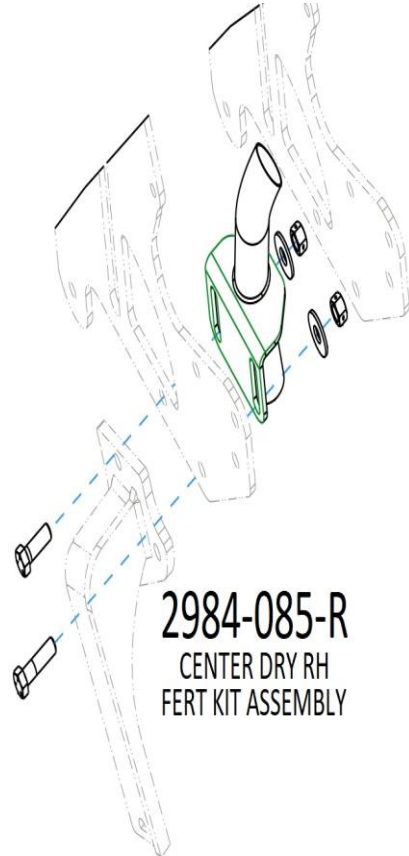
2984-084
CENTER LIQUID FERT
KIT ASSEMBLY



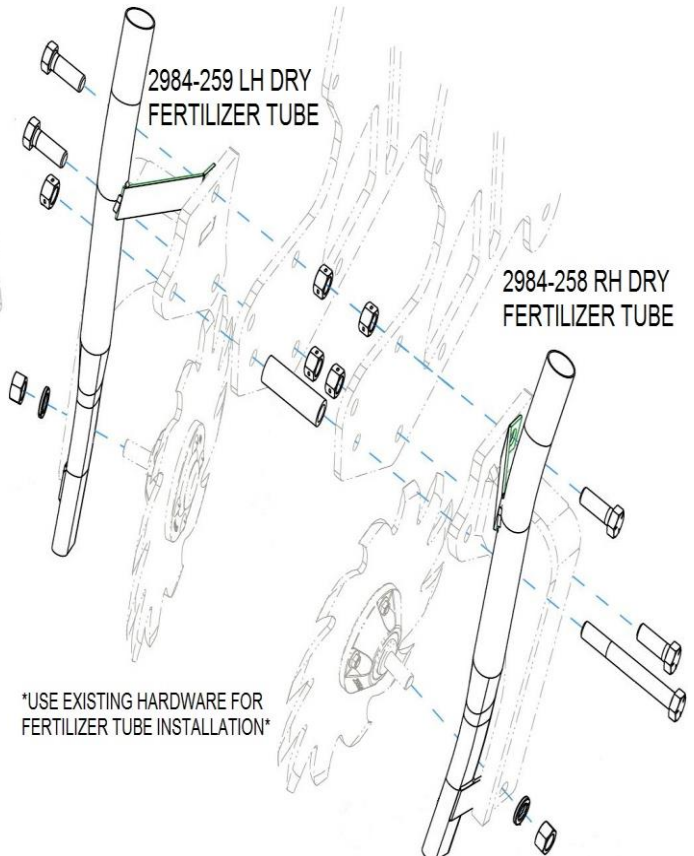
2984-083
LH LIQUID FERT KIT ASSEMBLY



2984-085-L
CENTER DRY LH FERT
KIT ASSEMBLY



2984-085-R
CENTER DRY RH
FERT KIT ASSEMBLY



**2984-259 LH DRY
FERTILIZER TUBE**

**2984-258 RH DRY
FERTILIZER TUBE**

*USE EXISTING HARDWARE FOR
FERTILIZER TUBE INSTALLATION*



OPERATION PRECAUTIONS

STOP



Read this before using the Yetter product.

MACHINE OPERATION

Pneumatic System Check:

Make sure the toolbars compressor source is engaged. Allow the compressor to engage & complete 1 full cycle before applying pressure to any circuit.

Pull the selector valve knob for the row cleaner circuit. Pull the regulator knob (unlock) for the row cleaner up pressure circuit adjustment & turn the knob until ALL row cleaners move to the up position. Push the regulator knob back in to lock in place. Pull the regulator knob for the row unit down force circuit adjustment & turn the knob until the row unit down force gauge reads 50psi on the cab controller. Push the regulator knob back in to lock in place. Pull the selector valve knob for the rolling basket circuit. Pull the regulator knob for the rolling basket up pressure circuit adjustment & turn the knob until ALL rolling baskets move to the up position. Push the regulator knob back in to lock in place. Exit the tractor cab inspecting the blue, orange, & yellow airline at the bulkhead connector at hitch & all 3 of the circuits that have air pressure applied (row cleaner up, row unit down force, & rolling basket up). Check for leaks at the tee fittings, air fittings at the cylinders/air bags, & each cylinder/air bag. Repair leaks as needed. Once each of these 3 circuits is leak free, return to the tractor cab.

Push the selector valve for the row cleaner & rolling basket in (all rolling baskets and row cleaners should lower). Pull the regulator knob for the row cleaner down pressure circuit adjustment & turn the knob until the row cleaner gauge reads 50psi. Push the regulator knob back in to lock in place. Pull the regulator knob for the rolling basket down pressure circuit adjustment & turn the knob until the rolling basket gauge reads 50psi. Push the regulator knob back in to lock in place. Exit the tractor cab inspecting the black & green airline at the bulkhead connector at hitch. Lift each row cleaner & rolling basket to ensure down pressure in each cylinder is present & equally applied to each row. Check for leaks at each tee bank, air fittings at the cylinders, & each cylinder. Once all circuits are leak free, return to the tractor cab & return all adjustable circuits to 0psi. Pull the Row Lock to vent the row unit down force to 0psi & then push back in.

Row Unit Check:

Inspect each individual strip freshener CC unit for loose or damaged hardware. Make sure all pivot points (row unit parallel linkage, row cleaner, rolling basket) travel freely.

IMPORTANT: failure to properly set frame height & levelness can result in less than successful operation of Yetter product & may result in damaged equipment. All operators should read & thoroughly understand the instructions given prior to using the Yetter product.

NOTE: DO NOT use this product if the toolbar is not adjusted properly!

Leveling the Toolbar:

Lower operating Toolbar Frames, such as planters, need to have toolbar height adjust to 21"-23" with the rear of parallel arms in the lower holes on the strip freshener CC side plates.

Higher operating Toolbar Frames need to have toolbar height adjusted to 24-26" with rear of parallel arms in the upper holes on the strip freshener CC side plates.

SEE DIMENSIONS DIAGRAM AT THE BOTTOM OF PAGE 4

With the frame lowered to proper operating height (**Usually 22"-26"**, depending on toolbar application) Check to be sure toolbar is level side to side. **Check** when toolbar is in **field** & has been **fully loaded** with fertilizer, etc. Also, a field check with a bubble level on the frame should be made of the hitch height to ensure level operation front to back.

It is important for the toolbar to operate level laterally. Tire pressure must be maintained at pressures specified by the manufacturer.

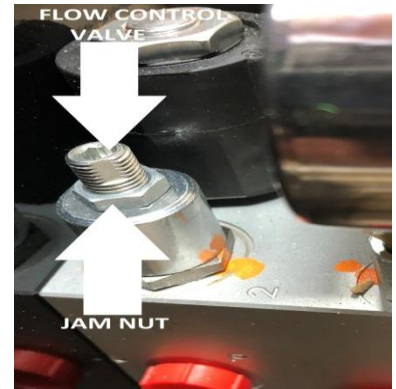
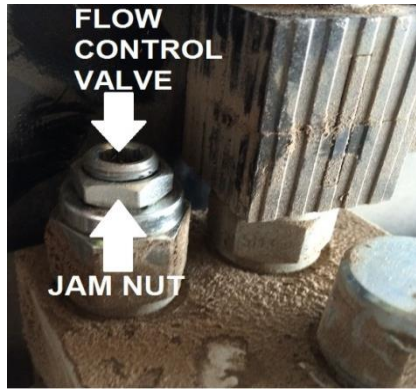
Field conditions change and will dictate toolbar frame heights. Lower the toolbar and pull forward to allow units to get to desired depth & then recheck toolbar levelness.

Row unit parallel linkage should be parallel to the ground or slightly downhill from front to back.

OPERATION PRECAUTIONS

To ensure hydraulic compressor motor doesn't exceed recommended operating RPM level, the hydraulic oil flow control valve has been preset. In some instances, compressor may run below optimum rpm, or will not reach 145psi of tank pressure read at the gauge on compressor unit. If this is the case, an adjustment to the flow control valve will need made. Only open the flow control valve enough to allow the compressor to build to 145psi tank pressure read at the gauge on the compressor unit. Opening the flow control too far could cause over speeding and reduced service life of the compressor. Follow the instructions below to make the proper adjustment.

NOTE: Before making any adjustments to the flow control valve, adjust the tractor hydraulic flow fully open. Adjusting the tractor's hydraulic flow will affect the compressor's RPM. The hydraulic motor speed on the hydraulic compressor should not exceed 1350RPM. RPM's on the hydraulic compressor may be checked via the fan blades with an optical tachometer.



- STEP 1:** Remove the black seal from hydraulic flow control valve and jam nut (2018 & newer hyd. compressors will not have seal).
- STEP 2:** Flip the switch to ON on the 2984 Strip Freshener control box & supply hydraulic pressure to the compressor.
Make adjustments while hydraulic motor is running. Open tank drain to allow continuous running if necessary.
- STEP 3:** Insert an Allen wrench into flow control valve. 2013 - 05/2018 models use a 5/16, 06/2018 – present use a 3/16.
- STEP 4:** Loosen jam nut by turning counterclockwise. 2013 - 05/2018 models use a 11/16, 06/2018 – present use a 1/2.
- STEP 5:** Using Allen wrench, **SLIGHTLY** turn flow control valve counterclockwise (the equivalent to 3 degrees or 1/32 of a turn) to increase the hydraulic motor speed.
- STEP 6:** Hold the Allen wrench in place and tighten the jam nut. Each time an adjustment is made, allow the compressor to build to its potential 145psi shut off mark. If 145psi is not achieved, drain tank pressure until compressor turns on, and make another adjustment. Repeat these steps until 145psi is achieved so that the compressor runs smoothly without struggle. **DO NOT RUN MOTOR ON COMPRESSOR MORE THAN 1350RPM!** RPMs can be checked with an optical tachometer using the fan blades. Once the flow control valve is set properly, hold the Allen wrench in place and tighten the jam nut.

OPERATION

The Tank Pressure should always be above 100psi. If using Yetter Electric/Hydraulic Compressor units, each compressor will shut off at 145psi & engage to recover back to 145psi when tank pressure drops to 120psi. Make sure to have all circuits set at 0psi when setting the toolbar & units for optimum performance begins. Follow these steps to set the strip freshener CC units to achieve the best results:

- Step 1:** Set depth (approximate) on each row unit. Adjust screw adjust knob (15/16 wrench) to achieve your preferred depth. Adjustments can be made in 1/4" increments. Rotating the screw adjust knob clockwise will raise the gauge wheels making the units go deeper. Rotating the screw adjust knob counterclockwise will lower the gauge wheels making the units go shallower. The depth decal on the side of each unit is only a reference & NOT an actual depth in inches as to where the unit is set. For example, 3 does not mean 3 inches deep necessarily. Actual depth is determined by how low the cutting coulters is below the gauge wheels. Other factors can play in to setting the depth such as row cleaner and rolling basket settings.
- Step 2:** Apply row unit down force until each unit's ride is consistent, smooth, & correct depth is achieved. **Row Unit Downforce should never be above 100psi.** Row unit down force may need re-adjusted once the row cleaner is set properly. Push Row Lock down to lock pressure in circuit. To lower DF pressure, pull regulator knob to unlock, rotate knob counterclockwise, pull row lock knob out for 3-5seconds, push row lock knob back in. Repeat as necessary until desired pressure is achieved & then push regulator knob in to lock. To add DF pressure, simply pull regulator knob out, rotate clockwise to desired pressure, & push regulator knob in to lock.
- Step 3:** Fine tune the row cleaners by applying up or down pressure. Row cleaners should only be cleaning residue from the strip & not engaging the soil.
- Step 4:** Apply pressure to rolling basket to condition strip & incorporate fertilizer if applicable. Row unit downforce needs readjusted once rolling basket is set.
- Step 5:** Recheck depth of each row unit & condition of strips, adjust as needed. **(SEE STEP 1)** Check depth on each row by removing loose soil until bottom of each strip is found. For most accurate measurement, remove residue away from top of soil surface next to each strip where measuring & measure from bottom of each strip to top of soil surface.

INITIAL SETTINGS

	<u>FRESHENING STRIPS</u>	<u>NEW STRIPS</u>
Row Unit DF:	20-35psi	40-60psi
Row Cleaners:	20-40psi UP	15-25psi DN
Rolling Basket:	30psi DN	30psi DN

NOTE: Adjustments outside these ranges may be necessary for optimal performance for your conditions

OPERATION

ROW CLEANER UP PRESSURE CONTROL

PULL KNOB TO UNLOCK
TURN CLOCKWISE TO INCREASE AIR
TURN COUNTERCLOCKWISE TO DECREASE AIR
PUSH KNOB TO LOCK

ROW CLEANER DOWN PRESSURE CONTROL

PULL KNOB TO UNLOCK
TURN CLOCKWISE TO INCREASE AIR
TURN COUNTERCLOCKWISE TO DECREASE AIR
PUSH KNOB TO LOCK

ROW CLEANER PRESSURE GAUGE

ROW UNIT DOWNFORCE PRESSURE CONTROL

PULL KNOB TO UNLOCK
TURN CLOCKWISE TO INCREASE AIR
TURN COUNTERCLOCKWISE TO DECREASE AIR (MUST ALSO PULL ROW LOCK TO DECREASE AIR & THEN PUSH TO LOCK AGAIN)
PUSH KNOB TO LOCK

ROW UNIT DOWNFORCE PRESSURE GAUGE

ROW CLEANER SELECTOR VALVE

PULL UP TO APPLY AIR TO UP PRESSURE SIDE OF ROW CLEANER CYLINDER
PUSH DOWN TO APPLY AIR TO DOWN PRESSURE SIDE OF ROW CLEANER CYLINDER

TANK PRESSURE FROM AIR SOURCE

MINIMUM OF 100PSI
MAXIMUM OF 145PSI

ROW LOCK

PULL UP TO VENT AIR IN ROW UNIT DOWNFORCE CIRCUIT
PUSH DOWN TO LOCK AIR IN ROW UNIT DOWNFORCE CIRCUIT

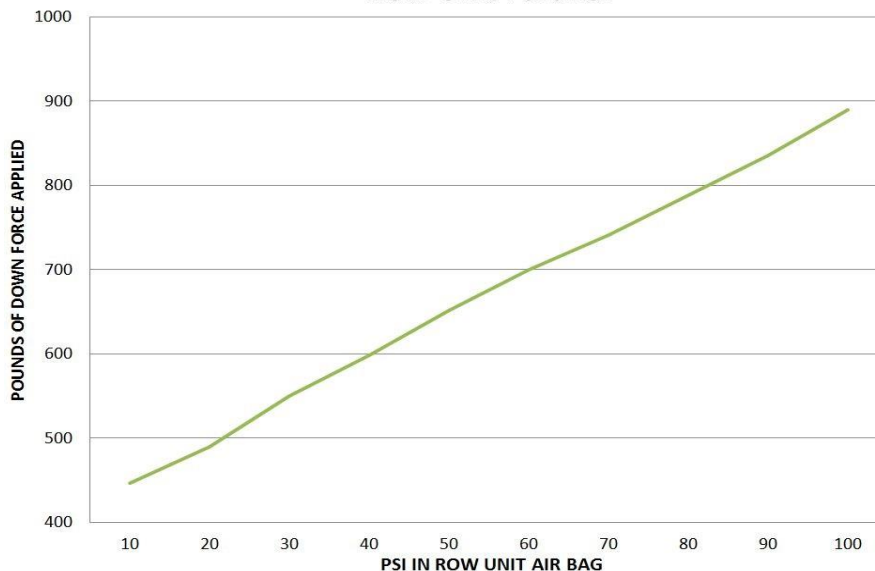
ROLLING BASKET SELECTOR VALVE

PULL UP TO APPLY AIR TO UP PRESSURE SIDE OF ROLLING BASKET AIR CYLINDER
PUSH DOWN TO APPLY AIR TO DOWN PRESSURE SIDE OF ROLLING BASKET CYLINDER

ROLLING BASKET UP PRESSURE CONTROL

PULL KNOB TO UNLOCK
TURN CLOCKWISE TO INCREASE AIR
TURN COUNTERCLOCKWISE TO DECREASE AIR
PUSH KNOB TO LOCK

Row Unit Parallel



ROLLING BASKET DOWN PRESSURE CONTROL

PULL KNOB TO UNLOCK
TURN CLOCKWISE TO INCREASE AIR
TURN COUNTERCLOCKWISE TO DECREASE AIR
PUSH KNOB TO LOCK

ROLLING BASKET PRESSURE GAUGE

MAINTENANCE

Yetter Compressor Maintenance

WARNING:



Keep extremities out of the compressor housing when compressor is running, has potential to run, or recently shut off as there are rotating & high temperature parts that may cause injury. Always turn tractor off & disconnect power before performing any maintenance.

LUBRICATION:

Hydraulic compressors are shipped empty of pump lubrication & need oil added before operation. Provided is a 1 Liter bottle of grade 111 synthetic. Add oil until oil level is seen half way up on the sight glass. Recheck oil level on the dipstick. Yetter part # for new bottle is 2940-550.

GUARDS:

Always ensure the housing and guards are in place during operation.

AIR FILTER CARTRIDGE:

Hydraulic Compressor Filter Part # - 2940-549. Electric Compressor Filter Part # - 2940-395, Pre-Cleaner Part # - 2940-396

MAINTENANCE SCHEDULE GUIDE

DAILY

- Check oil level and fill as needed (**hydraulic compressor only**)
- Check air filter cleanliness and clean/replace as needed
- Check hoses for fluid leaks and replace/fix as needed
- Check air lines for air leaks and replace/fix as needed
- Check component parts of the compressor for damage (pressure switch, cooling fan, gauge, etc)
- Open Tank Drain Valve (10 seconds) (**see illustration to the right**) to allow moisture to drain----->

Closed



Open



SEASONALLY/200 COMPRESSOR HOURS

- Change compressor oil (**hydraulic compressor only**)
- Change inlet air filter
- Check fluid hoses and air lines for weakness or weathering and replace as needed.
- Check hydraulic fittings for proper connections with no leaks, replace as needed.



FIRST OIL CHANGE SHOULD TAKE PLACE AFTER APPROXIMATELY 50 RUNNING HOURS (hydraulic compressor only)

CLEANING OR REPLACING THE 2940-106 AIR FILTER

2015 – 2016 MODEL



2017 – PRESENT MODEL



Filter cleanliness is critical to maintain the performance & service life of the compressor. Recommendations for cleaning are DAILY & replace every 200 hours OR at beginning of every planting season. Dirt sucked passed the filter will ruin the pump.

STEP 1: Remove the wing nut & filter cover.

STEP 2: Remove the filter. (If cleaning, tap the filter on a solid surface to remove dirt from the pleats & clean the filter base. **DO NOT USE COMPRESSED AIR TO CLEAN FILTER!**)

STEP 3: Install new or cleaned filter.

STEP 4: Install filter cover & wing nut removed in step 1. **TIGHTEN WING NUT SECURELY**

REPLACING THE COOLING FAN (HYDRAULIC COMPRESSOR)

Remove the filter cover & filter, remove housing (6 bolts), remove hydraulic motor (2 bolts), loosen LH bolt on the end of the shaft, remove the coupler, & replace fan. Reassemble coupler on shaft & tighten LH bolt, reinstall the hydraulic motor, & reassemble the housing, filter, & filter cover. Removing the coupler from the shaft may be difficult. Use a pry bar to hold pressure on the coupler, unthread the LH bolt halfway, & tap with a hammer. Rotate the fan some & repeat this process until coupler breaks loose.

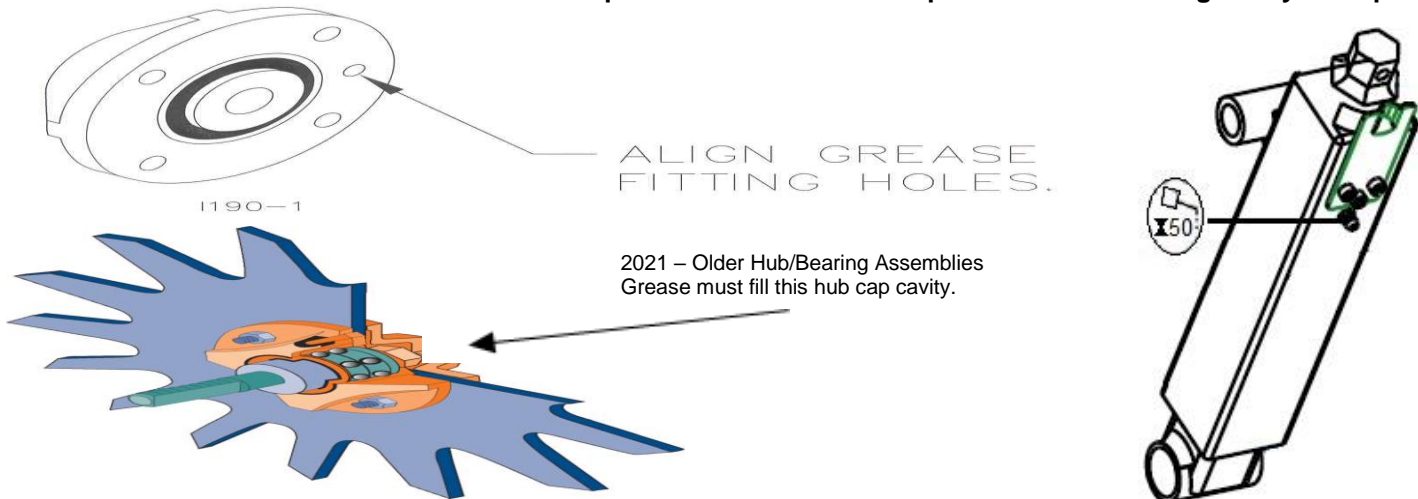
MAINTENANCE



- Step 1:** Remove the pre-cleaner (if equipped) from the filter cover. Remove the filter cap by turning the cap clockwise.
Step 2: Clean the pre-cleaner & filter. Replace if needed.
Step 3: Install the filter & filter cap, placing the tab in the slots & turning the cap counter clockwise. Make sure the breather hole on the filter cap is facing down. Install the pre-cleaner.

Lubricate all bearings and moving parts as assembled and make certain that they work freely.

WARNING: Never work around the toolbar/implement while in a raised position without using safety lockups.



CAUTION: To help prevent serious injury or death to you or other caused by unexpected movement, service machine on a level surface. Lower machine to ground or sufficiently lock or block raised machine before servicing. If machine is connected to a tractor, engage parking brake, place transmission in PARK, shut off engine, & remove the key. If machine is detached from a tractor, block wheel & use shop stands to prevent movement.

CAUTION: Do not clean, lubricate, or adjust a machine while in motion.

Use grease based on NLGI consistency number and the expected air temperature range during the service interval.

Use a **multi-purpose polyurea, water resistant, moderate speed, and NLGI grade #2** grease.

Other greases may be used if they meet the **NLGI Performance Classification: GC-LB**

Important: Some types of grease thickener are not compatible with others. Consult your grease supplier before mixing different types of grease.

Alternative Lubricants

Conditions in certain geographical areas may require special lubricants and lubrication practices which do not appear in the operator's manual. If there are any questions, consult Yetter Manufacturing Co. to obtain the latest information & recommendation.

Part #	Description	Ounces of Grease
2967-404	13" Taper Tooth RM Wheel	1.12 Oz
2967-602	13" Shark Tooth RM Wheel	1.12 Oz
2967-186	Floater Wheel Kit w/ RM Wheel	2.08 Oz
2967-596	Heavy Duty or Bevel R.M. Wheel W/Floater Wheel Kit	2.40 Oz
2571-601	13" Shark Tooth Finger Wheel	1.12 Oz

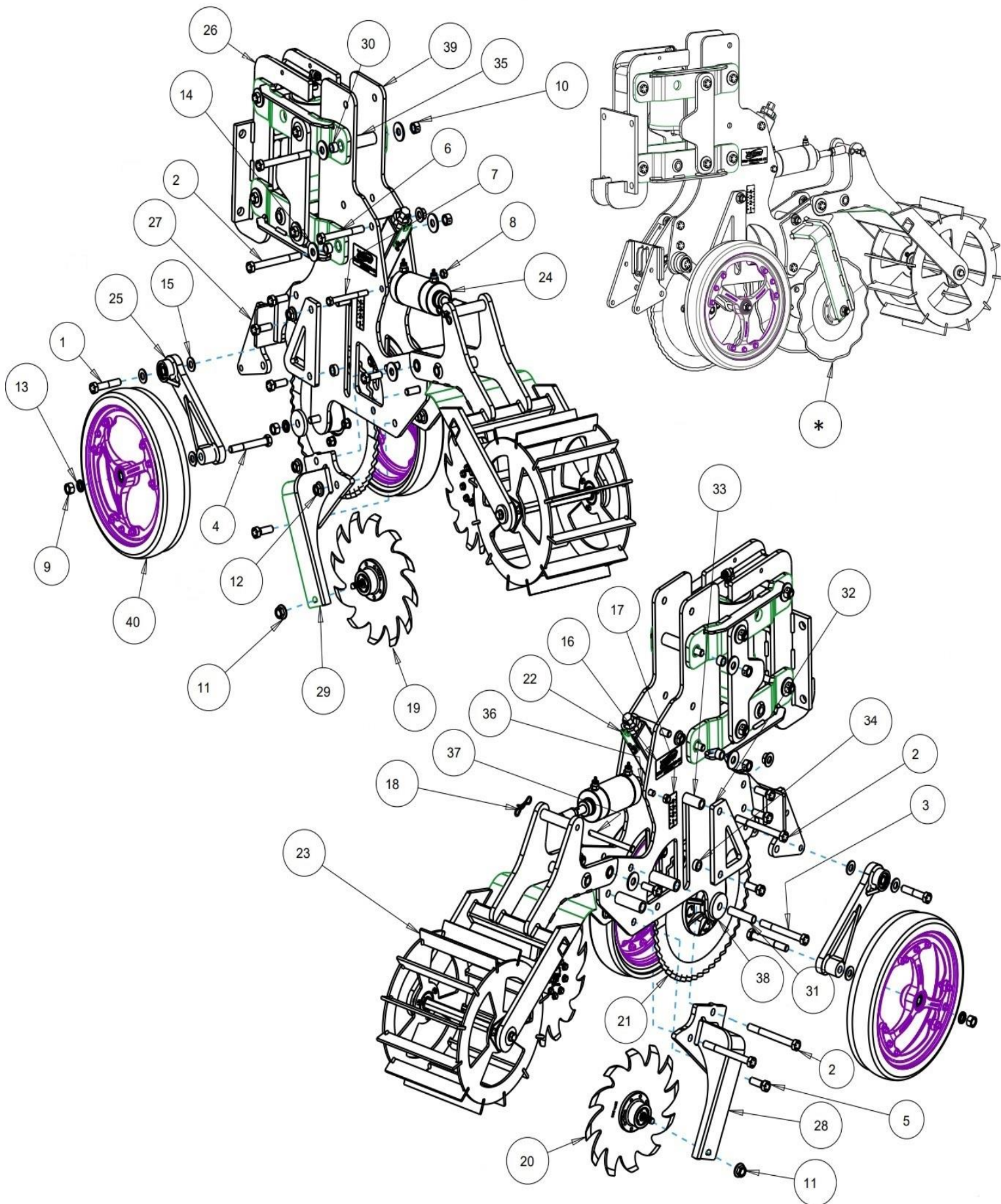
Refilling the cavity with grease on each wheel assembly every 50 hours is required!

All bearings on this unit are sealed bearings. Grease is needed to fill hub cavity to protect seal from damage/contaminants.

Storing Lubricants

Your machine can operate at peak efficiency only if clean lubricants are used. Use clean containers to handle all lubricants. Store them in an area protected from dust, moisture, and other contaminants.

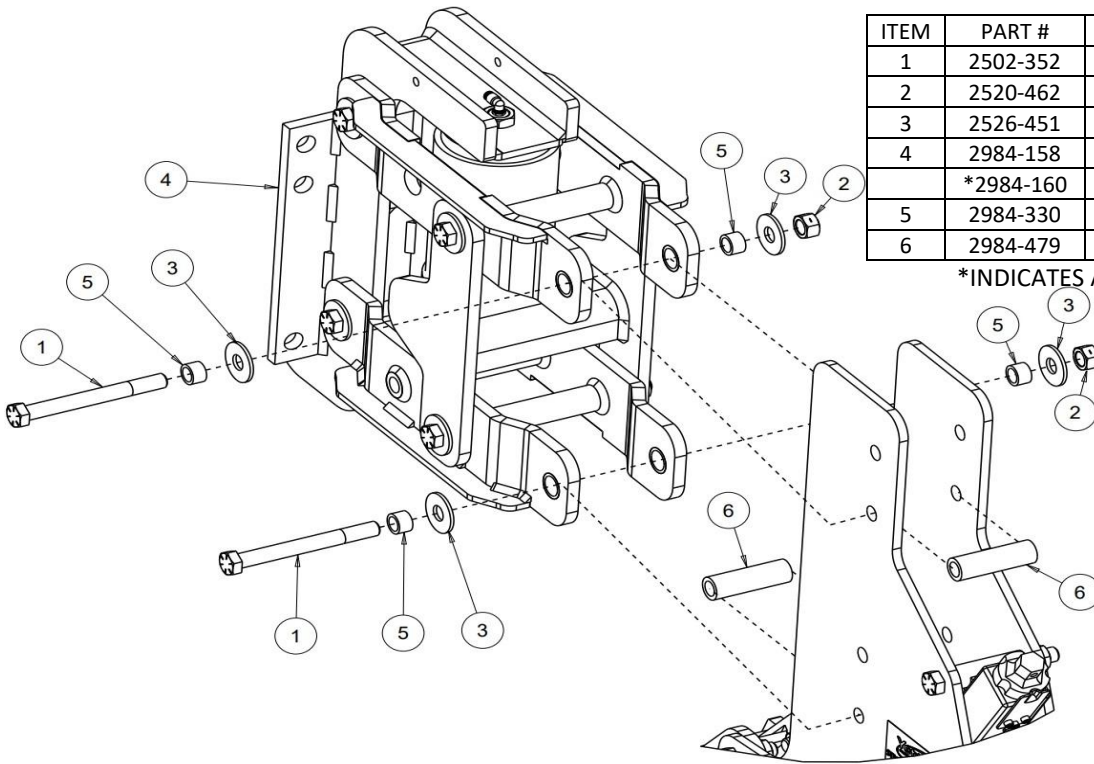
2984-050/051 STRIP FRESHENER CC PART IDENTIFICATION



2984-050 STRIP FRESHENER CC PART IDENTIFICATION

ITEM	PART NO.	DESCRIPTION	QTY
1	2502-330	5/8-11 X 3 HHCS GRADE 8 ZP	2
2	2502-352	5/8-11 X 6 HHCS GRADE 8 ZP	6
3	2502-384	5/8-11 X 5.5 HHCS GR8 ZP	1
4	2502-433	5/8-11 X 4-1/2 HHCS GR8 ZP	2
5	2502-440	5/8-11 X 1 3/4 HHCS GR8 ZP	8
6	2502-441	5/8-11 X 5 HHCS GR 8 ZP	1
7	2510-312	1/2" DIA X 4" L SHOULDER SCREW	1
8	2520-252	3/8-16 HEX FLANGE TOP LOCK NUT, GR G, ZP	1
9	2520-452	5/8-11 HEX NUT GR 8 ZP	3
10	2520-462	5/8-11 HEX LOCK NUT GR 8 ZP	3
11	2520-465	5/8-11 SER. FLANGE NUT, GR 8, ZP	2
12	2520-478	5/8-11 SER. FLNG NUT, GR 8, ZP W/THDLOCK	14
13	2525-451	5/8 MED. LOCKWASHER ZP.	3
14	2526-451	5/8 STD FLATWASHER ZP	8
15	2526-454	5/8 SAE FLATWASHER HRD'ND ZP	6
16	2565-356	STRIP FRESHENER DECAL	2
17	2565-836	ADJUSTMENT DECAL	2
18	2570-448	.120 BOWTIE LOCKING COTTER ZP	1
19	2966-140-ST	SHARKTOOTH ASSY,RH,3" D-BOLT	1
20	2966-141-ST	SHARKTOOTH ASSY,LH,3" D-BOLT	1
*	2984-159	13 WAVE WHEEL ASSEMBLY (NOT SHOWN)	2
21	2984-143	RIPPLE BLADE ASSEMBLY	1
22	2984-144	DEPTH ADJUST ASSEMBLY	1
23	2984-146	ROLLING BASKET ASSEMBLY, 2984-050	1
24	2984-153	AIR CYLINDER ASSEMBLY	1
25	2984-157	GAUGE WHEEL ARM ASS'Y	2
26	2984-158	PARALLEL ARM ASSEMBLY	1
	2984-160	PARALLEL ARM ASSEMBLY 7X7 OR 7X9	1
27	2984-241	RM ARM MOUNT W.A.	1
28	2984-248	R.H. SHARKTOOTH MOUNT W.A.	1
29	2984-249	L.H. SHARKTOOTH MOUNT W.A.	1
30	2984-330	9/16" BUSHING CHROME PLATED	6
31	2984-455	BEARING BORE ADAPTER, ZP	1
32	2984-468	DEPTH STOP	2
33	2984-469	TOP DEPTH STOP BUSHING	1
34	2984-470	DEPTH ADJ LOWER BUSHING	2
35	2984-479	CROSS BUSHING	5
36	2984-495	STRUT BUSHING SHORT	2
37	2984-497	AIR CYLINDER ROD PIN	1
38	2984-501	WASHER, .688ID X 2.50 OD X .375THK	2
39	2984-551	SIDE PLATE	2
40	6000-070	3" X 16" SPOKED GAUGE WHEEL	2

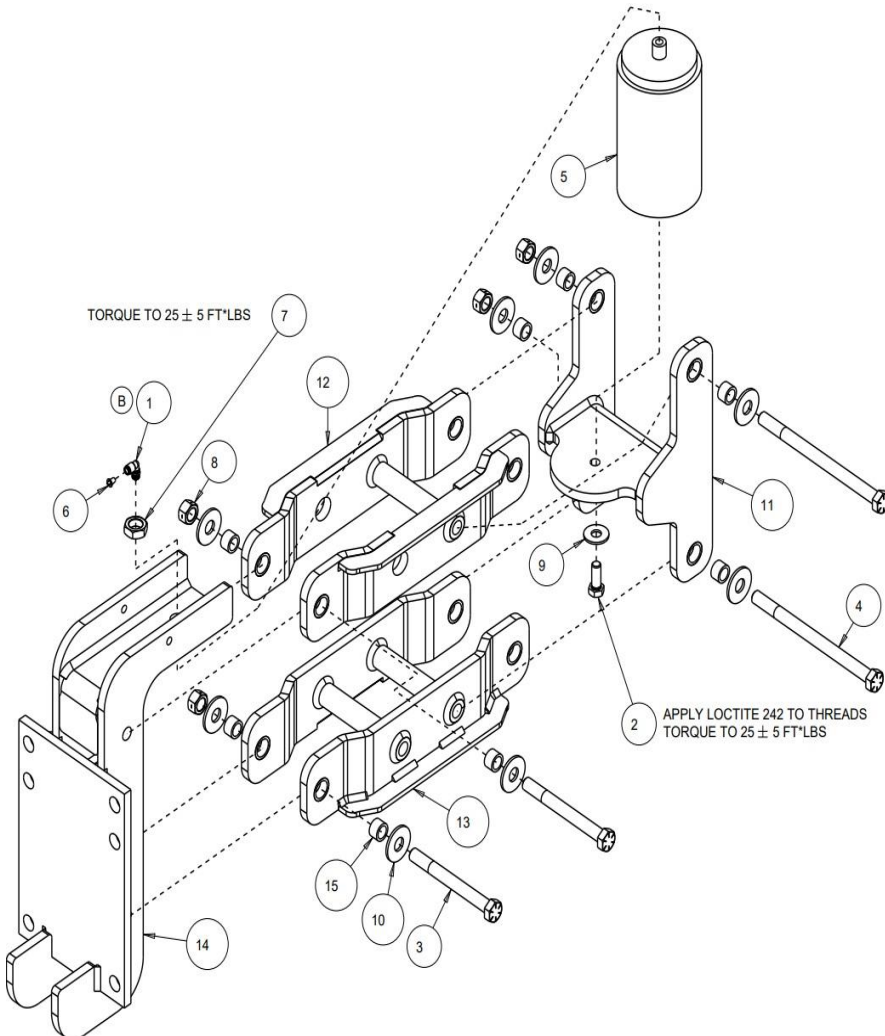
PIVOT HARDWARE PART IDENTIFICATION



ITEM	PART #	DESCRIPTION	QTY
1	2502-352	5/8-11 X 6 HHCS GR 8 ZP	6
2	2520-462	5/8-11 HEX LOCK NUT GR 8 ZP	3
3	2526-451	5/8 STD FLAT WASHER ZP	8
4	2984-158	PARALLEL ARM ASSEMBLY	1
	*2984-160	PARALLEL ARM ASSEMBLY 7X7/7X9	1
5	2984-330	9/16" BUSHING CHROME PLATED	6
6	2984-479	CROSS BUSHING	5

*INDICATES ASSEMBLY THAT IS SHOWN

2984-158 PARALLEL LINKAGE ASSEMBLY PART IDENTIFICATION

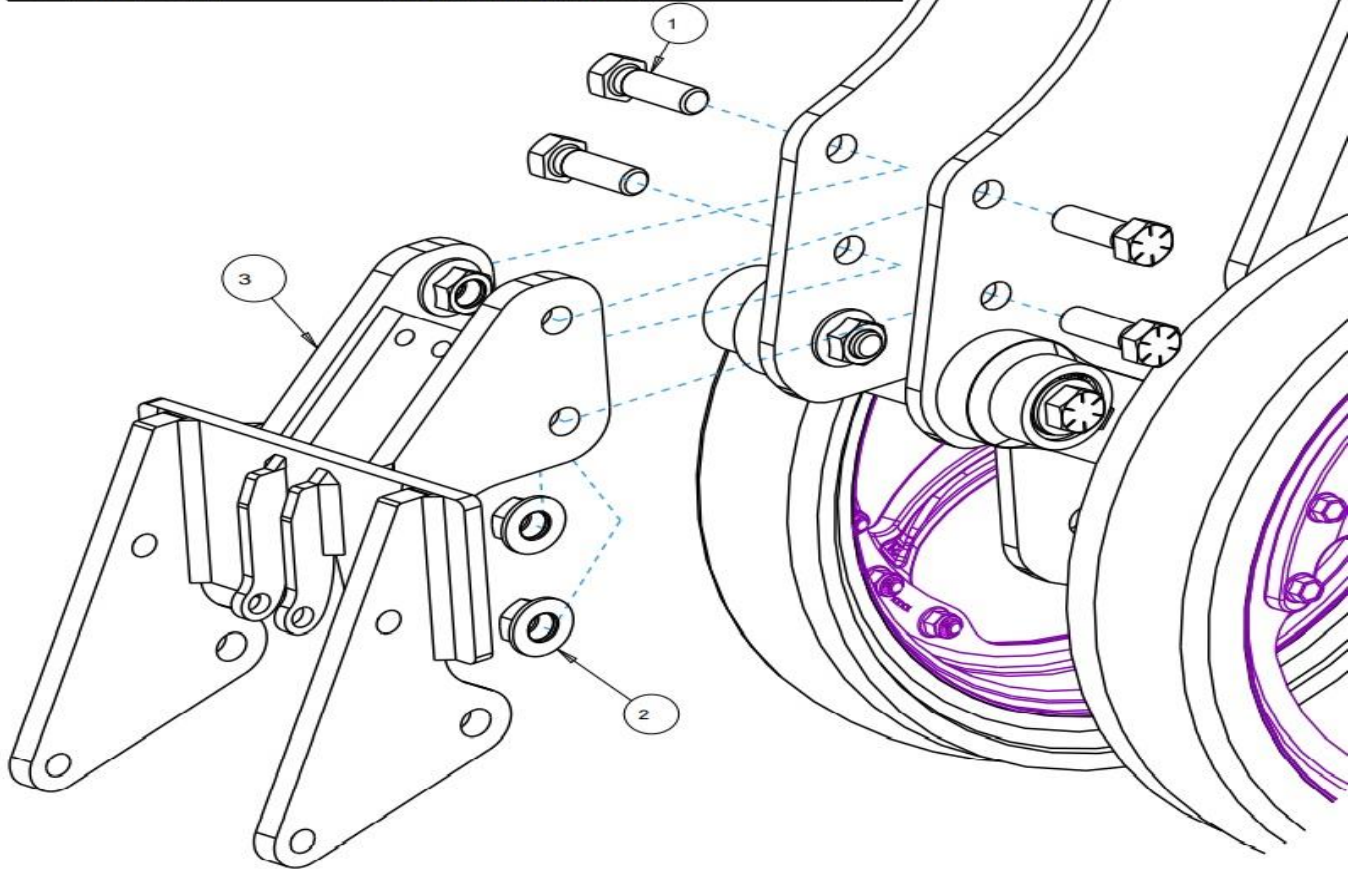


ITEM	PART #	DESCRIPTION	QTY
1	1200-323	¼ TUBE TO 1/8NPT ELBOW FITTING	1
2	2502-293	½-13 X 1 ¼ HHCS GR 5 ZP	1
3	2502-352	5/8-11 X 6 HHCS GR 8 ZP	2
4	2502-439	5/8-11 X 9 HHCS GR 8 ZP	2
5	2515-304	AIR BAG	1
6	2515-856	¼" AIR FITTING PLUG	1
7	2520-312	¾'16 JAM HEX NUT ZP	1
8	2520-462	5/8-11 HEX LOCK NUT GR 8 ZP	4
9	2526-351	½ STD FLATWASHER ZP	1
10	2526-451	5/8 STD FLATWASHER ZP	8
11	2984-262	AIR BAG BASE WELDMENT	1
12	2984-263	UPPER PARALLEL ARM W.A.	1
13	2984-264	LOWER PARALLEL ARM W.A.	1
14	2984-242	TOOLBAR MOUNT W.A.	1
	*2984-266	7X7/7X9 TOOLBAR MOUNT W.A.	1
15	2984-330	9/16" BUSHING CHROME PLATED	8

*INDICATES ASSEMBLY THAT IS SHOWN

2984-241 RM ARM MOUNT PART ID

ITEM	PART NO.	DESCRIPTION	QTY
1	2502-440	5/8-11 X 1 3/4 HHCS GR8 ZP	10
2	2520-478	5/8-11 SER. FLNG NUT, GR 8, ZP W/THDLOCK	16
3	2984-241	RM ARM MOUNT W.A.	1

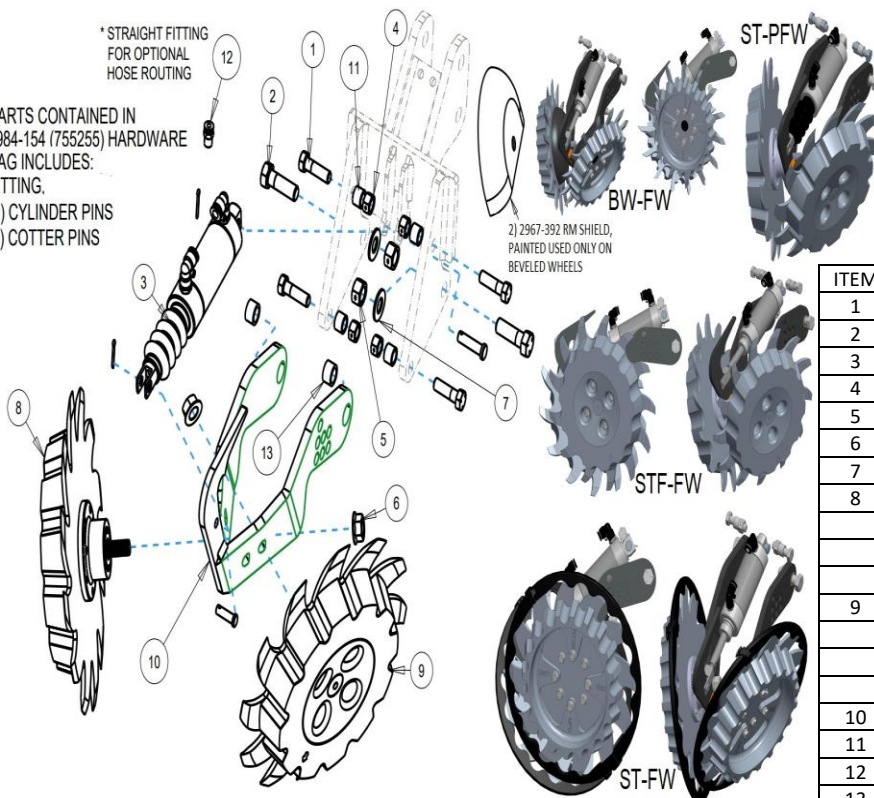


2984-090A-NR ROW CLEANER ASSEMBLY PART ID

* STRAIGHT FITTING
FOR OPTIONAL
HOSE ROUTING

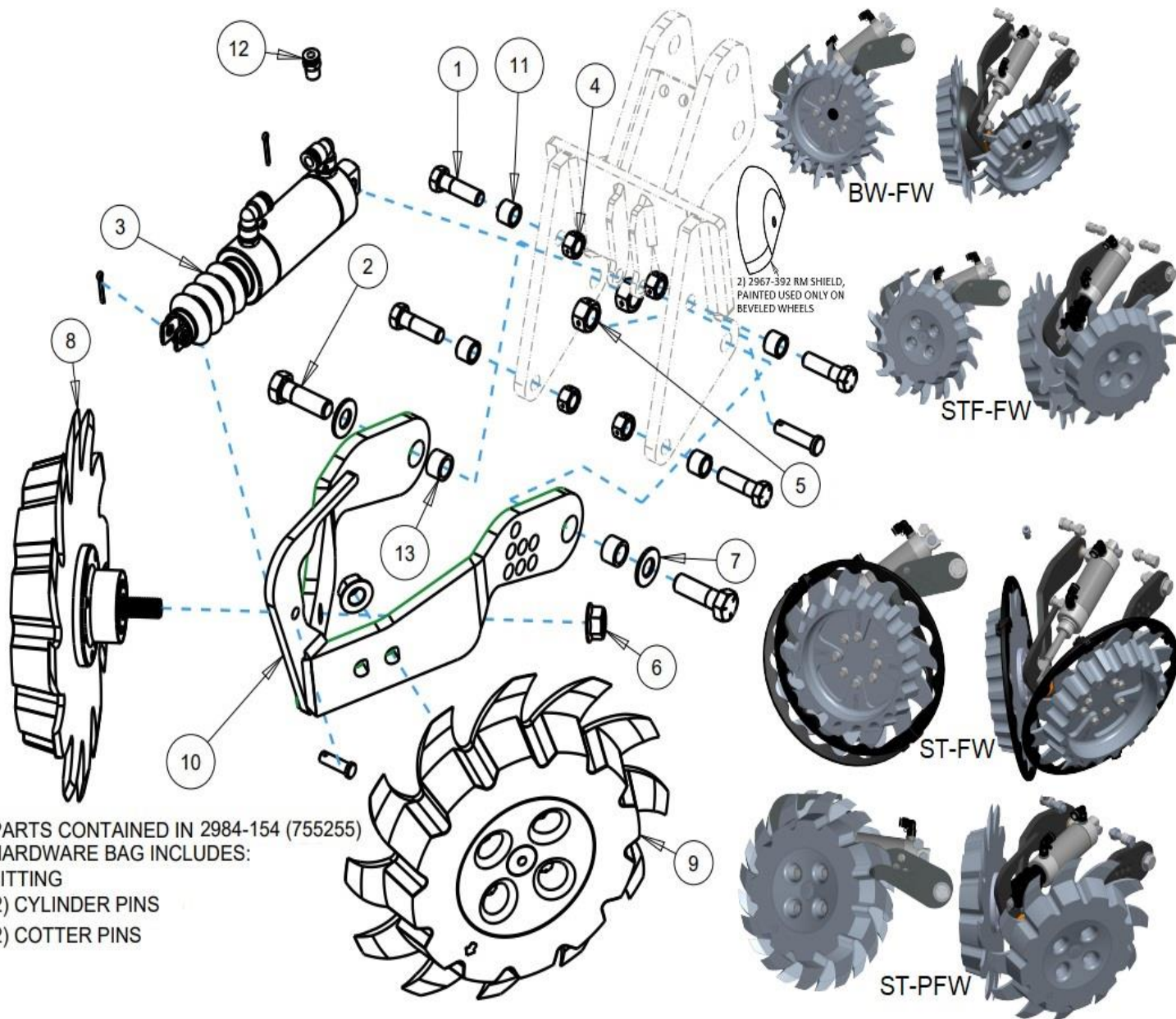
* PARTS CONTAINED IN
2984-154 (755255) HARDWARE
BAG INCLUDES:
FITTING.

(2) CYLINDER PINS
(2) COTTER PINS



ITEM	PART #	DESCRIPTION	QTY
1	2502-317	½-13 X 1 ¼ HHCS GR 5 ZP	4
2	2502-391	5/8-11 X 2 HHCS GR 5 ZP	2
3	2515-305	AIR CYLINDER	1
4	2520-357	½-13 LOCK HEX NUT GR A ZP	4
5	2520-459	5/8-11 LOCK HEX NUT GR B ZP	2
6	2520-465	5/8-11 SERRATED FLG NUT GR 8 ZP	2
7	2526-453	5/8 SAE FLATWASHER ZP	2
8	2966-140-BW-FW	RH BEVEL W/ FLTR WHL, 3" D BLT	1
	2966-140-STFW	RH SHKTTH W/ FLTR WHL, 3" D BLT	1
	2966-140-ST-PFW	RH SHKTTH W/ PLY FLTR, 3" D BLT	1
	2966-140-STF-FW	RH SHKTTH FNGR W/ PLY FLTR, 3" D BLT	1
9	2966-141-BW-FW	LH BEVEL W/ FLTR WHL, 3" D BLT	1
	2966-141-STFW	LH SHKTTH W/ FLTR WHL, 3" D BLT	1
	2966-141-ST-PFW	LH SHKTTH W/ PLY FLTR, 3" D BLT	1
	2966-141-STF-FW	LH SHKTTH FNGR W/ PLY FLTR, 3" D BLT	1
10	2966-291	ARM. NARROW TITAN	1
11	2967-622	9/16 SPACER ZP	4
12	2984-154	CYLINDER PIN KIT	1
13	600-335	9/16 BUSHING	2

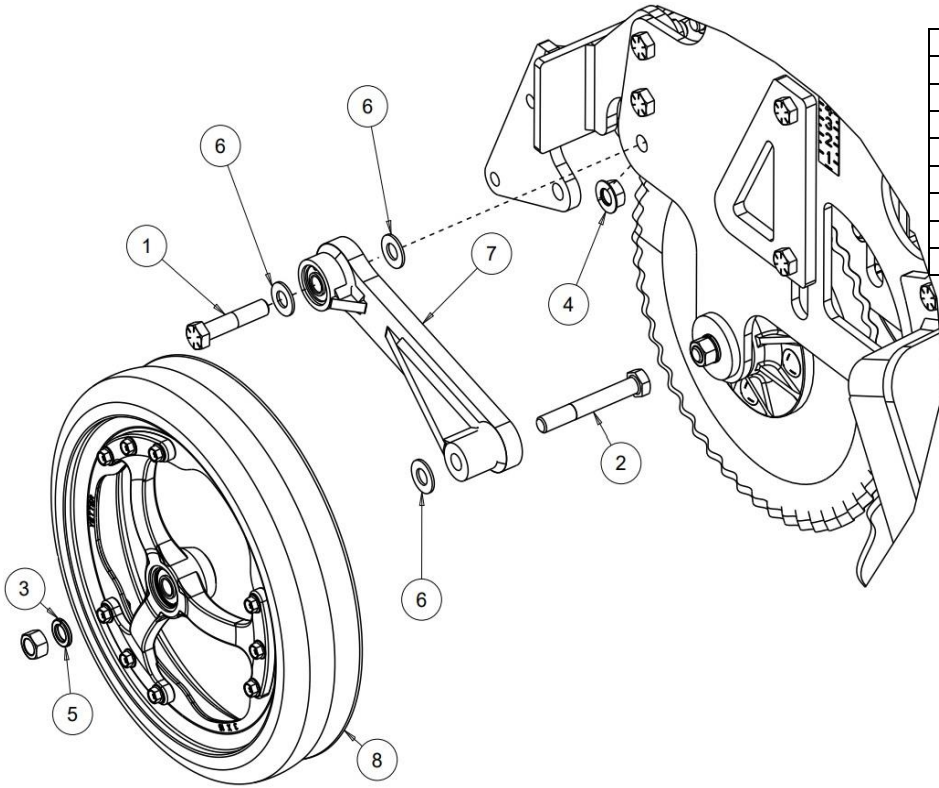
2984-090A-W ROW CLEANER ASSEMBLY PART IDENTIFICATION



* PARTS CONTAINED IN 2984-154 (755255)
HARDWARE BAG INCLUDES:
FITTING
(2) CYLINDER PINS
(2) COTTER PINS

ITEM	PART #	DESCRIPTION	QTY
1	2502-317	½-13 X 1 ¾ HHCS GR 5 ZP	4
2	2502-391	5/8-11 X 2 HHCS GR 5 ZP	2
3	2515-305	AIR CYLINDER	1
4	2520-357	½-13 LOCK HEX NUT GR A ZP	4
5	2520-459	5/8-11 LOCK HEX NUT GR B ZP	2
6	2520-465	5/8-11 SERRATED FLG NUT GR 8 ZP	2
7	2526-453	5/8 SAE FLATWASHER ZP	2
8	2966-140-BW-FW	RH BEVEL W/ FLTR WHL, 3" D BLT	1
	2966-140-STFW	RH SHKTTH W/ FLTR WHL, 3" D BLT	1
	2966-140-ST-PFW	RH SHKTTH W/ PLY FLTR, 3" D BLT	1
	2966-140-STF-FW	RH SHKTTH FNGR W/ PLY FLTR, 3" D BLT	1
9	2966-141-BW-FW	LH BEVEL W/ FLTR WHL, 3" D BLT	1
	2966-141-STFW	LH SHKTTH W/ FLTR WHL, 3" D BLT	1
	2966-141-ST-PFW	LH SHKTTH W/ PLY FLTR, 3" D BLT	1
	2966-141-STF-FW	LH SHKTTH FNGR W/ PLY FLTR, 3" D BLT	1
10	2966-292	ARM. WIDE TITAN	1
11	2967-622	9/16 SPACER ZP	4
12	2984-154	CYLINDER PIN KIT	1
13	6000-335	9/16 BUSHING	2

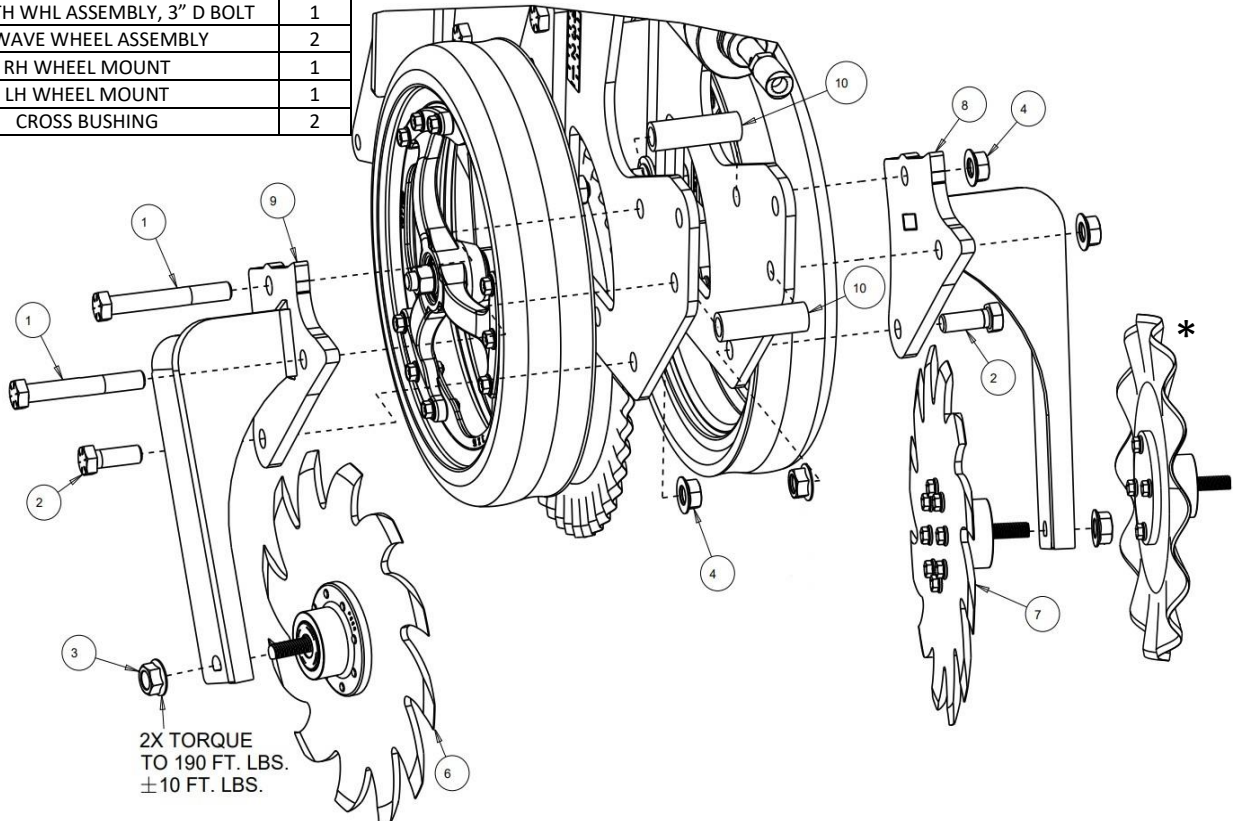
GAUGE WHEEL ASSEMBLY PARTS IDENTIFICATION



ITEM	PART #	DESCRIPTION	QTY
1	2502-330	5/8-11 X 3 HHCS GR 8 ZP	2
2	2502-433	5/8-11 X 4 1/2 HHCS GR 8	2
3	2520-452	5/8-11 HEX NUT GR 8 ZP	3
4	2520-478	5/8-11 SER FLG NUT GR 8 ZP W/ THRD LK	2
5	2525-451	5/8 MED LOCK WASHER ZP	3
6	2526-454	5/8 SAE FLAT WASHER HRD'ND ZP	4
7	2984-157	GAUGE WHEEL ARM ASSEMBLY	2
8	6000-070	3" X 16" SPOKED GAUGE WHEEL	2

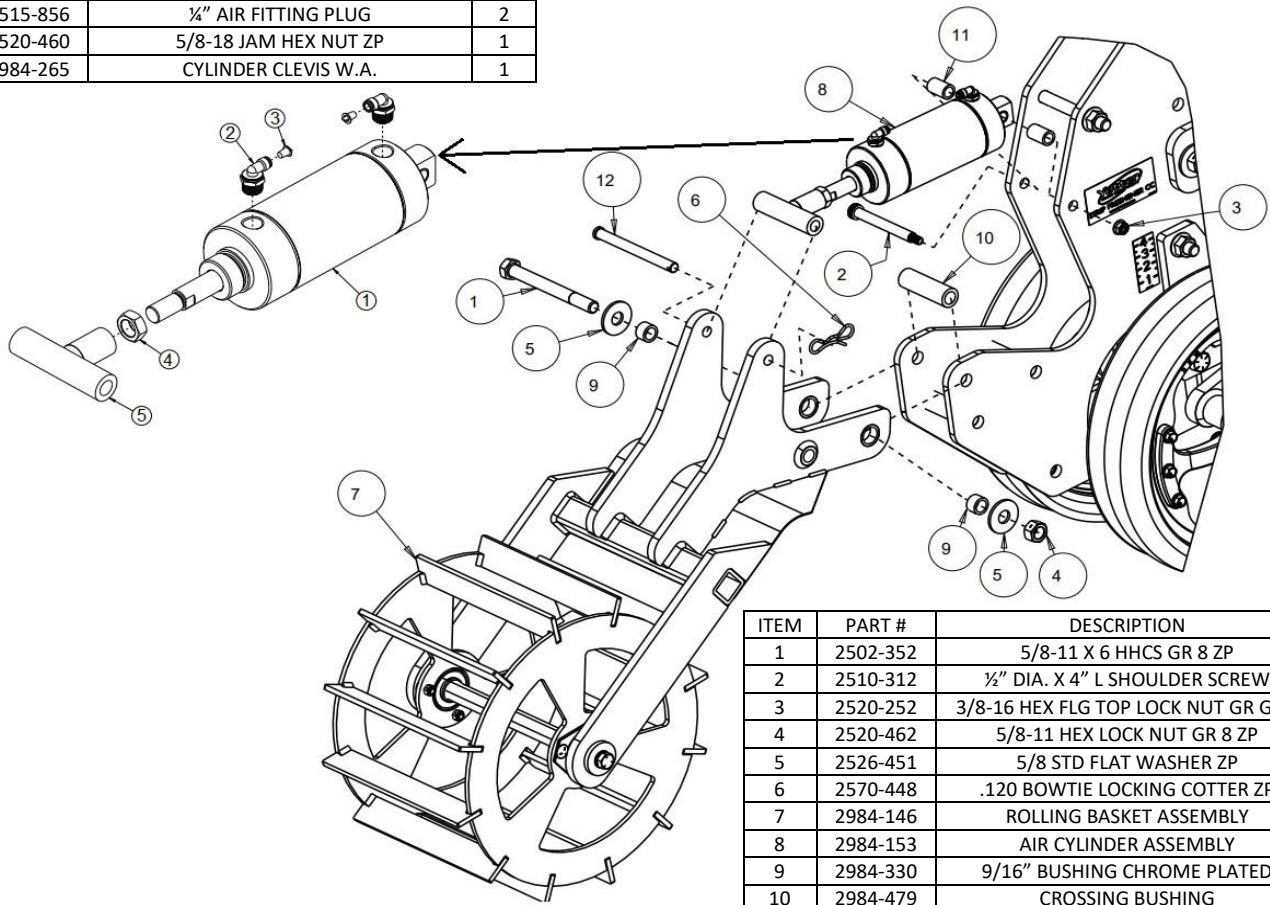
BERMING DISC ASSEMBLY PART IDENTIFICATION

ITEM	PART #	DESCRIPTION	QTY
1	2502-352	5/8-11 X 6 HHCS GR 8 ZP	4
2	2502-440	5/8-11 X 1 3/4 HHCS GR 8 ZP	2
3	2520-465	5/8-11 SER FLG NUT GR 8 ZP	2
4	2520-478	5/8-11 SER FLG NUT GR 8 ZP W/ THRD LK	6
6	2966-140-ST	RH SHKTTT WHL ASSEMBLY, 3" D BOLT	1
7	2966-141-ST	LH SHKTTT WHL ASSEMBLY, 3" D BOLT	1
*	2984-159	13 WAVE WHEEL ASSEMBLY	2
8	2984-248	RH WHEEL MOUNT	1
9	2984-249	LH WHEEL MOUNT	1
10	2984-479	CROSS BUSHING	2



ROLLING BASKET ASSEMBLY PART IDENTIFICATION

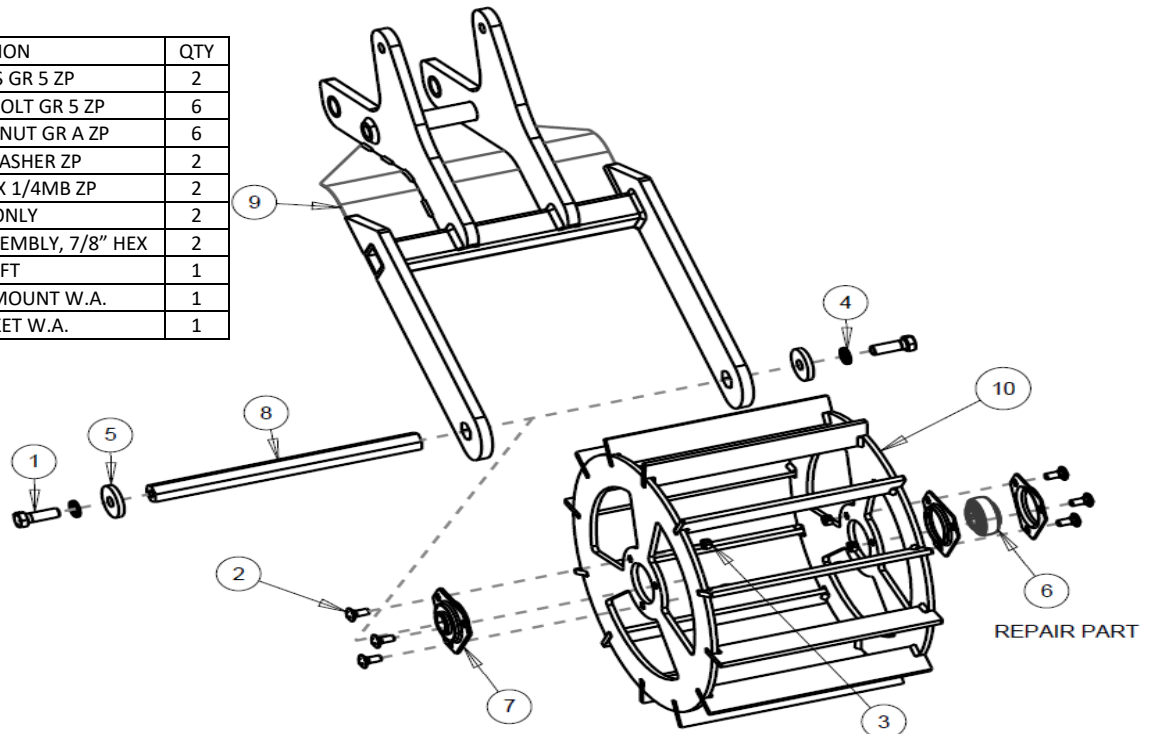
ITEM	PART #	DESCRIPTION	QTY
1	2515-306	3"BORE X 3" STROKE AIR CYLINDER	1
2	2515-307	90 DEG SW ELBOW, 1/4" TUBE X 3/8NPTM	2
3	2515-856	1/4" AIR FITTING PLUG	2
4	2520-460	5/8-18 JAM HEX NUT ZP	1
5	2984-265	CYLINDER CLEVIS W.A.	1



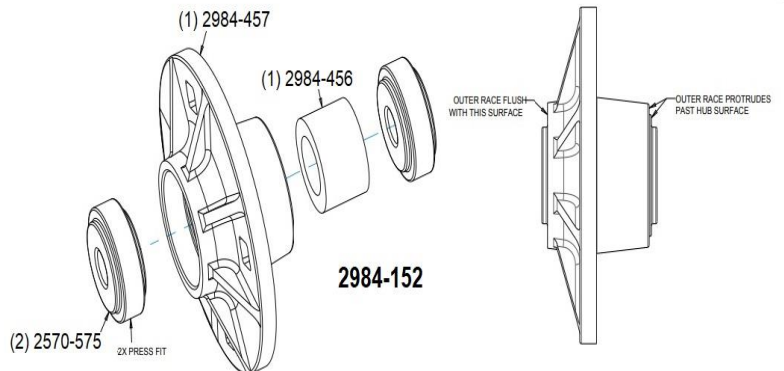
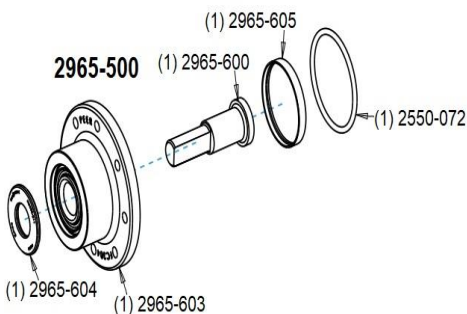
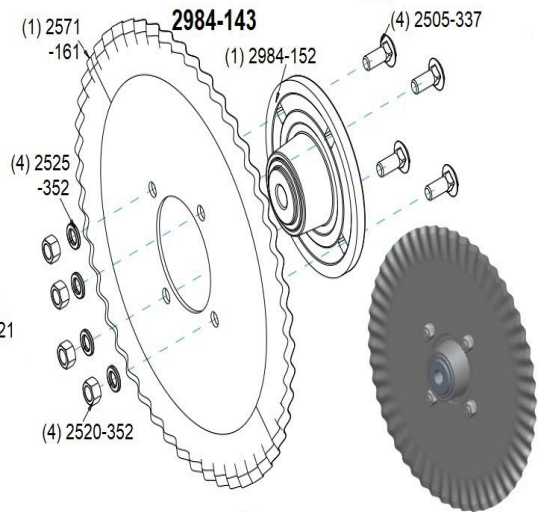
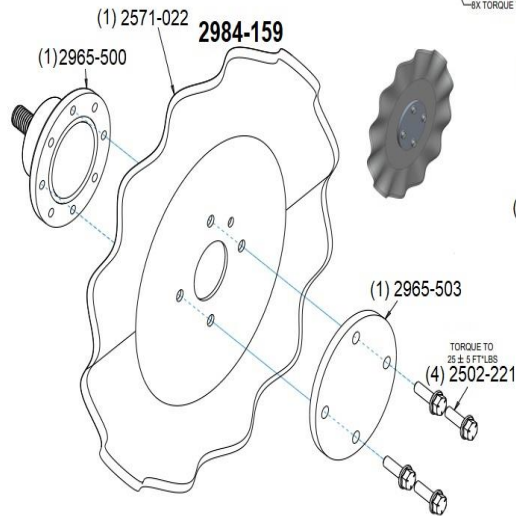
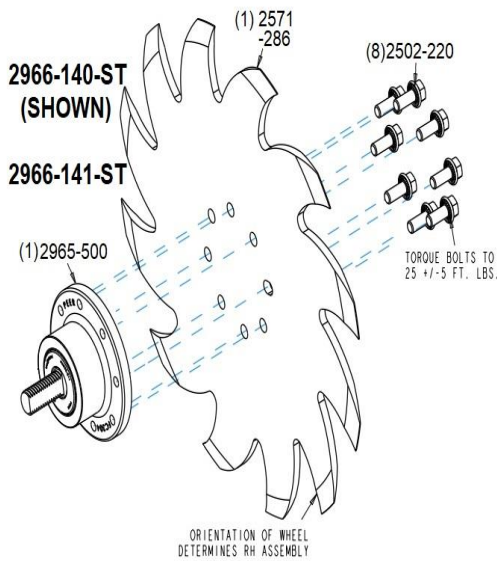
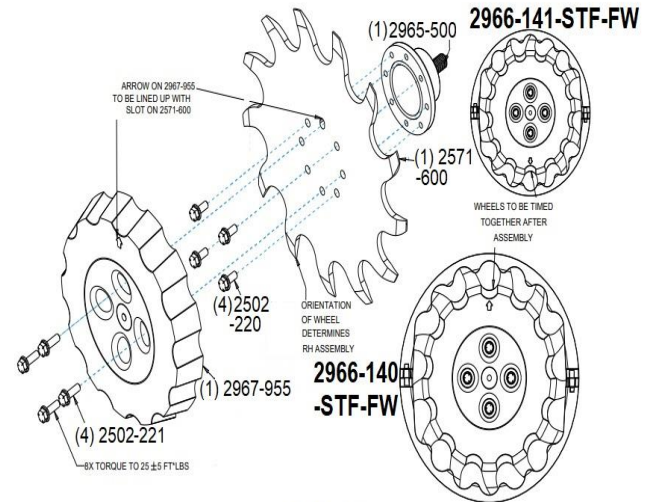
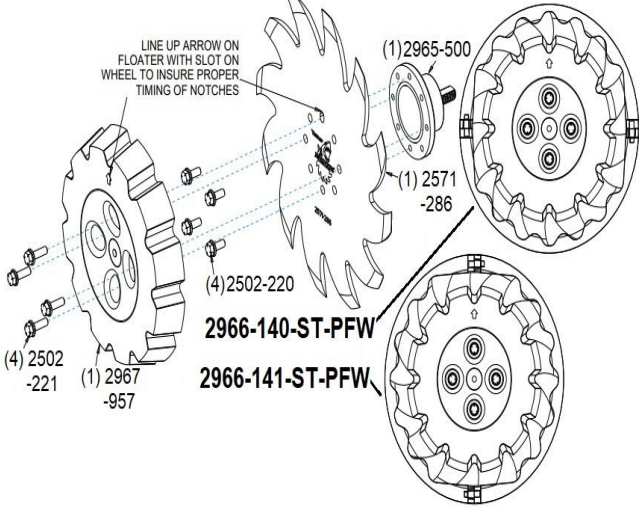
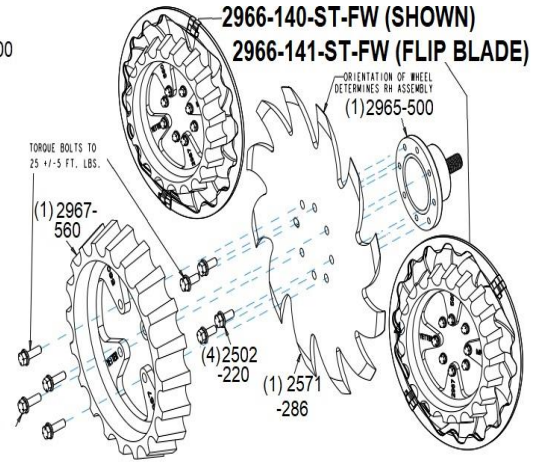
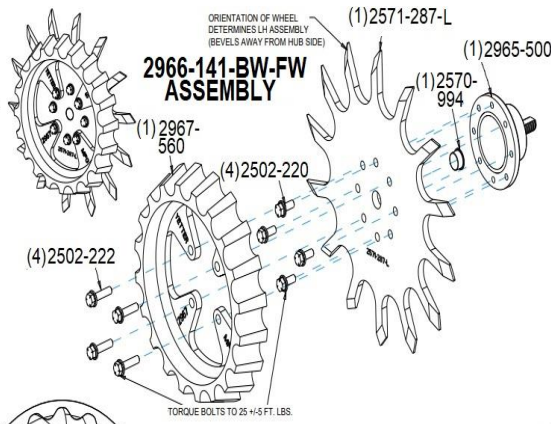
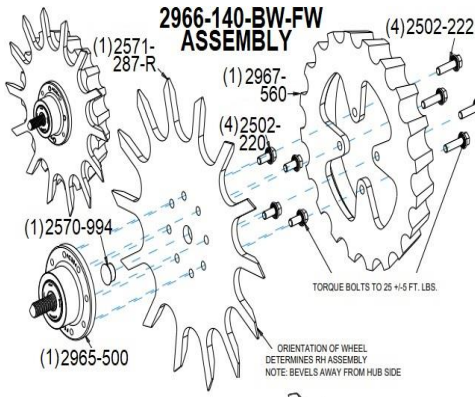
ITEM	PART #	DESCRIPTION	QTY
1	2502-352	5/8-11 X 6 HHCS GR 8 ZP	6
2	2510-312	1/2" DIA. X 4" L SHOULDER SCREW	1
3	2520-252	3/8-16 HEX FLG TOP LOCK NUT GR G ZP	1
4	2520-462	5/8-11 HEX LOCK NUT GR 8 ZP	3
5	2526-451	5/8 STD FLAT WASHER ZP	8
6	2570-448	.120 BOWTIE LOCKING COTTER ZP	1
7	2984-146	ROLLING BASKET ASSEMBLY	1
8	2984-153	AIR CYLINDER ASSEMBLY	1
9	2984-330	9/16" BUSHING CHROME PLATED	2
10	2984-479	CROSSING BUSHING	2
11	2984-495	STRUT BUSHING SHORT	2
12	2984-497	AIR CYLINDER ROD PIN	1

2984-146 ROLLING BASKET ASSEMBLY

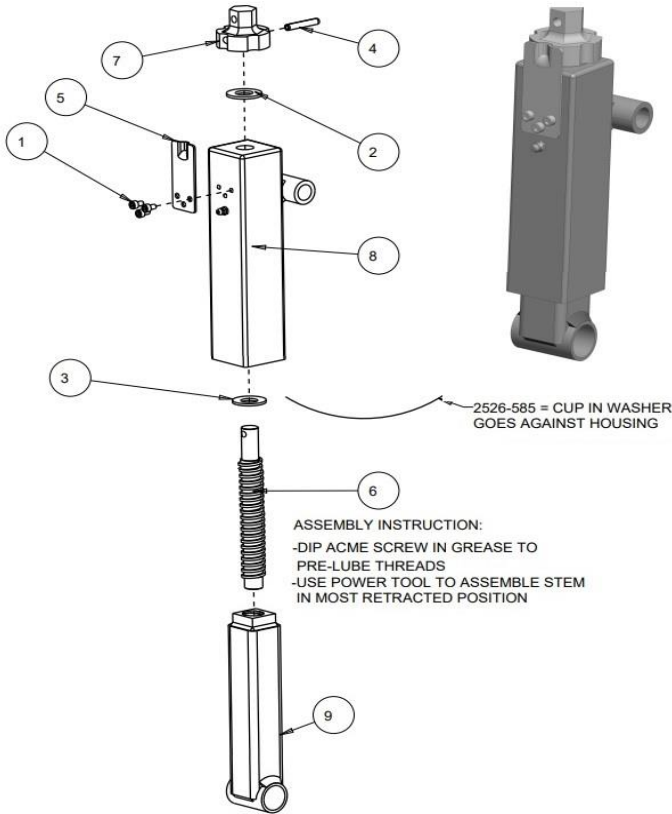
ITEM	PART #	DESCRIPTION	QTY
1	2502-294	1/2-13 X 1 1/2 JJCS GR 5 ZP	2
2	2505-205	5/16-18 X 3/4 CAR BOLT GR 5 ZP	6
3	2520-205	5/16-18 LOCK HEX NUT GR A ZP	6
4	2525-352	1/2 MED LOCK WASHER ZP	2
5	2526-402	9/16ID X 1 1/4 OD X 1/4MB ZP	2
6	2550-338	BEARING ONLY	2
7	2570-787	FLANGED BEARING ASSEMBLY, 7/8" HEX	2
8	2940-634	HEX SHAFT	1
9	2984-250	ROLLING BASKET MOUNT W.A.	1
10	2984-251	ROLLING BASKET W.A.	1



WHEEL ASSEMBLY & HUB/BEARING PART IDENTIFICATION

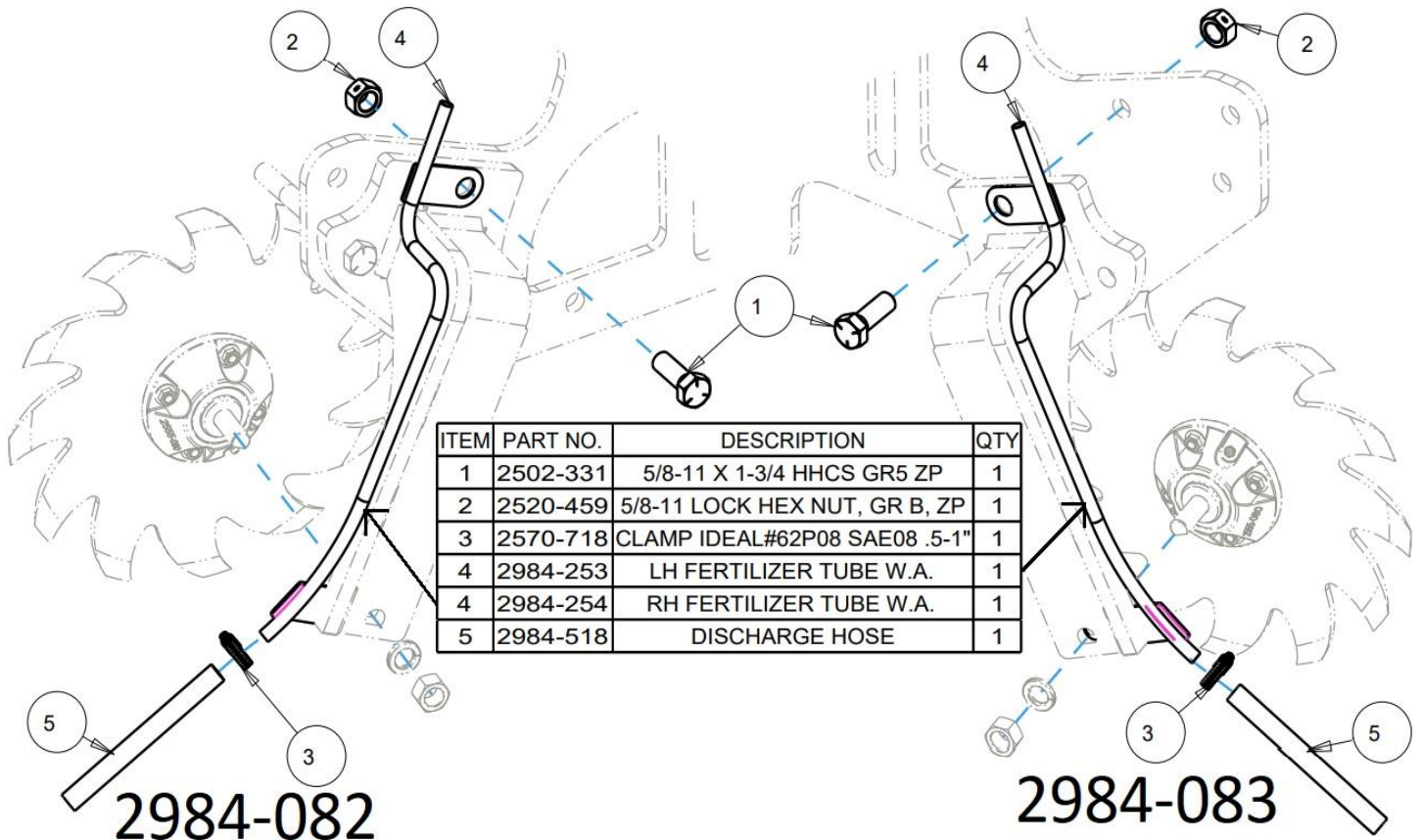


SCREW ADJUST ASSEMBLY PART IDENTIFICATION



ITEM	PART #	DESCRIPTION	QTY
1	2510-102	#10-32 X .31 HSHCPS ZP W/ THRD LCK	3
2	2526-453	5/8 SAE FLATWASHER ZP	1
3	2526-585	DISC SPRING	1
4	2530-158	PIN, COILED SPRING, 1/4 X 1 1/2 HD	1
5	2967-652	DETENT PLATE ZP	1
6	2967-657	ACME SCREW	1
7	2967-699	ADJUSTMENT KNOB	1
8	2984-245	DEPTH ADJUSTMENT HOUSING	1
	2533-110	GREASE ZERK, 1/4-28 STRAIGHT, SELF-TAP	1
9	2984-246	INNER TUBE W.A.	1

FERTILIZER TUBE ASSEMBLY PART IDENTIFICATION

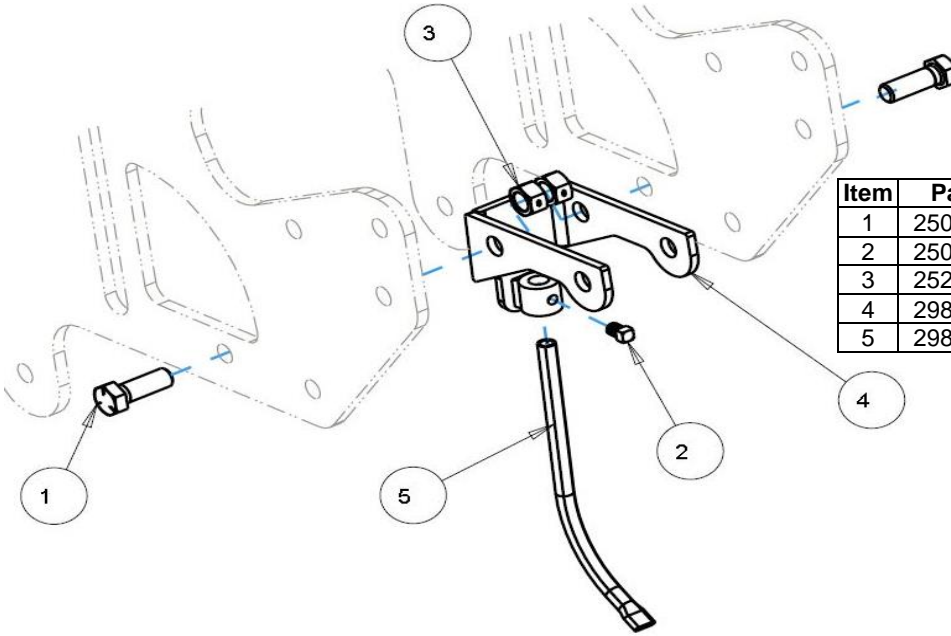


RH LIQUID FERT KIT ASSEMBLY

LH LIQUID FERT KIT ASSEMBLY

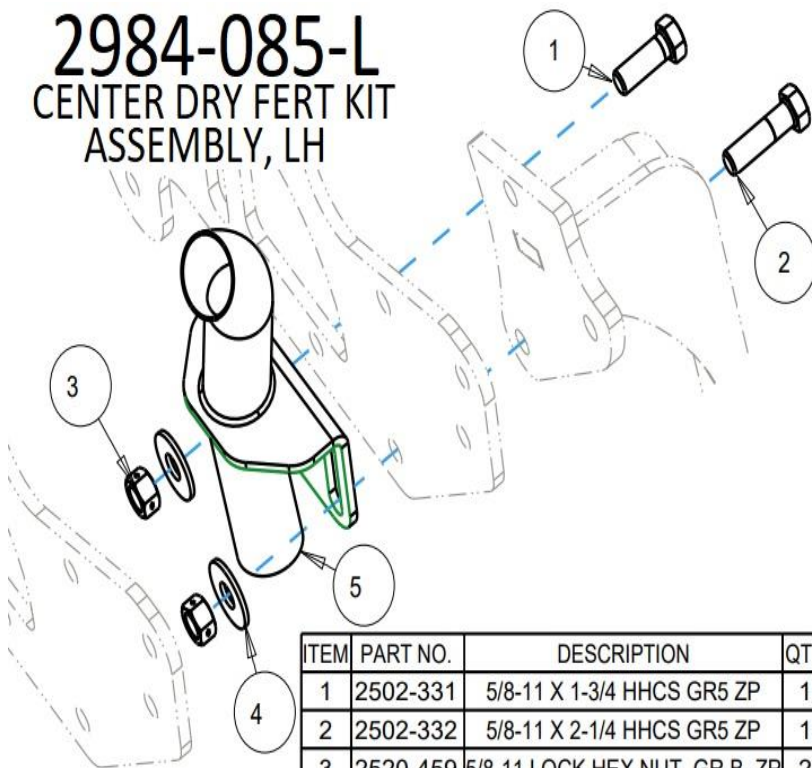
FERTILIZER TUBE ASSEMBLY PARTS IDENTIFICATION

2984-084 - CENTER LIQUID FERTILIZER KIT ASSEMBLY



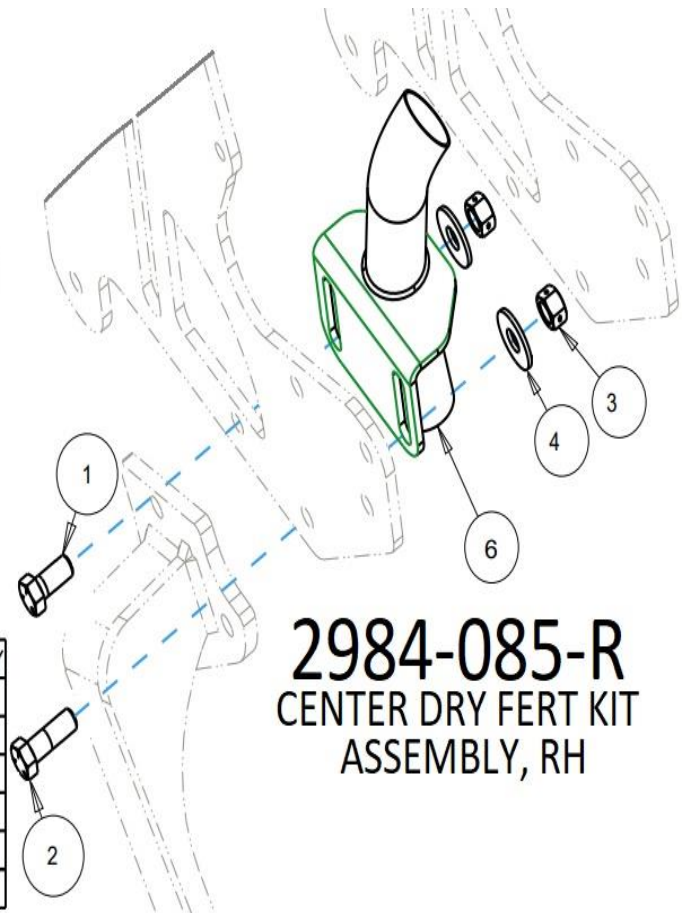
Item	Part #	Description	Qty
1	2502-331	5/8-11 X 1 3/4 HHCS GR 5 ZP	2
2	2503-256	3/8-16 X 1/2 SQ HCPSS GR 5 SS	1
3	2520-459	5/8-11 LOCK HEX NUT GR 8 ZP	2
4	2984-252	CENTER FERT MOUNT W.A.	1
5	2984-446	STRIP FRESHENER LIQ TUBE	1

2984-085-L CENTER DRY FERT KIT ASSEMBLY, LH



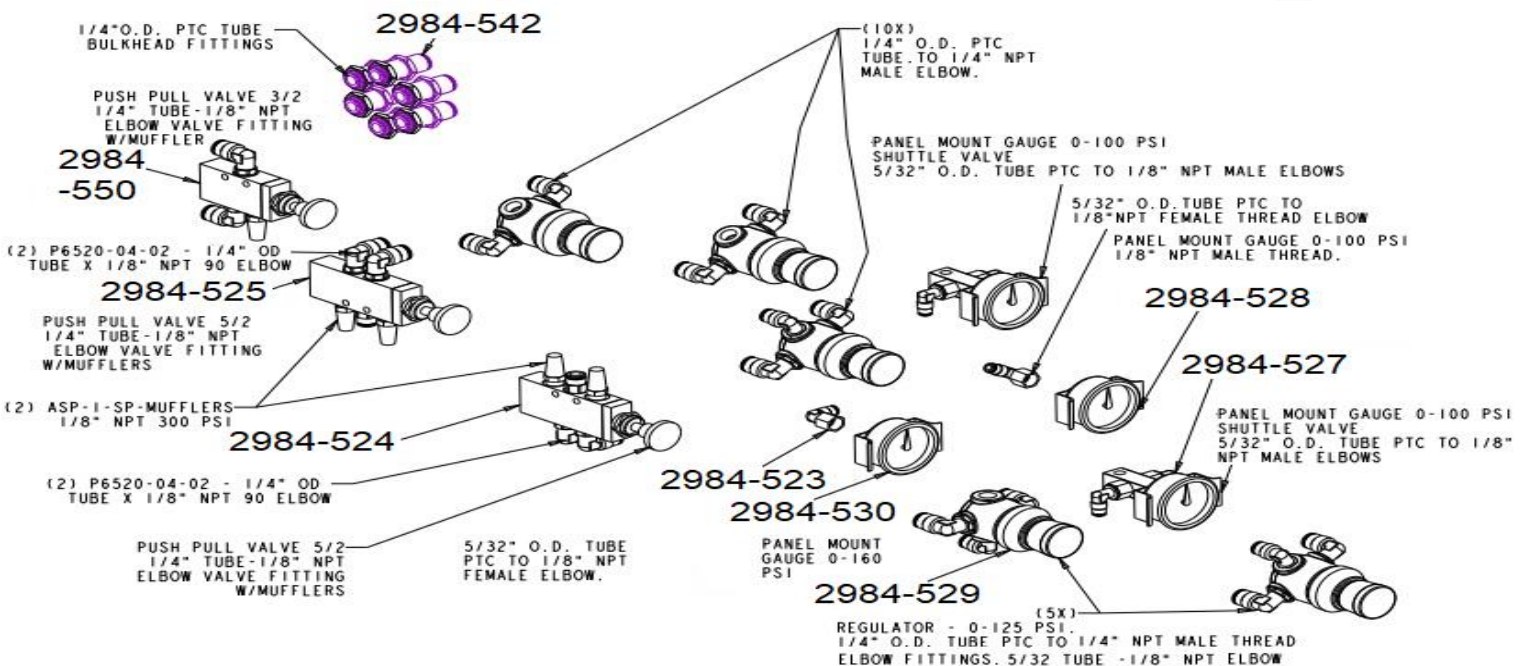
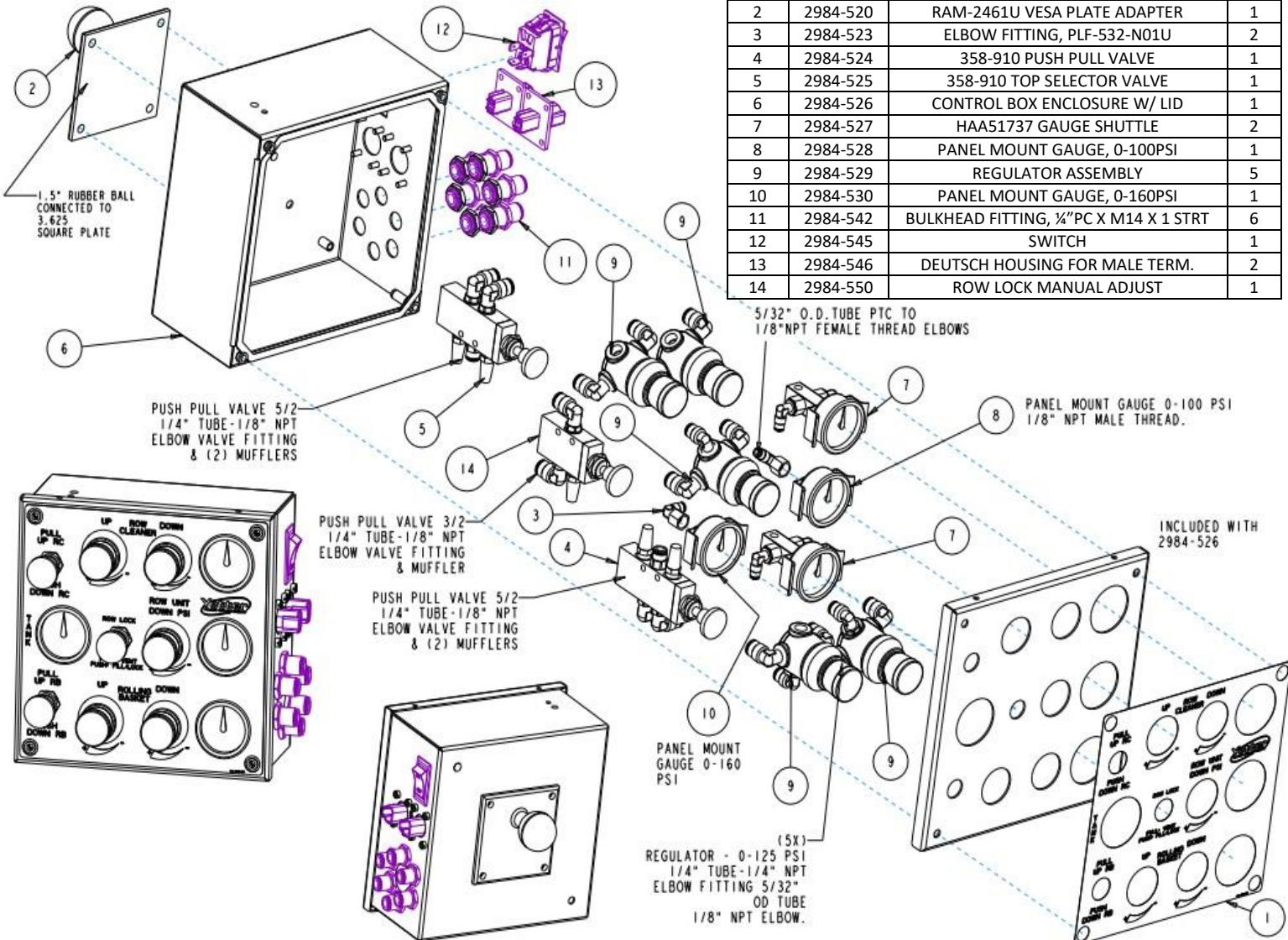
ITEM	PART NO.	DESCRIPTION	QTY
1	2502-331	5/8-11 X 1-3/4 HHCS GR5 ZP	1
2	2502-332	5/8-11 X 2-1/4 HHCS GR5 ZP	1
3	2520-459	5/8-11 LOCK HEX NUT, GR B, ZP	2
4	2526-451	5/8 STD FLATWASHER ZP	2
5	2984-255	CENTER FERT MOUNT WA, LH	1
6	2984-260	CENTER FERT MOUNT WA, RH	1

2984-085-R CENTER DRY FERT KIT ASSEMBLY, RH



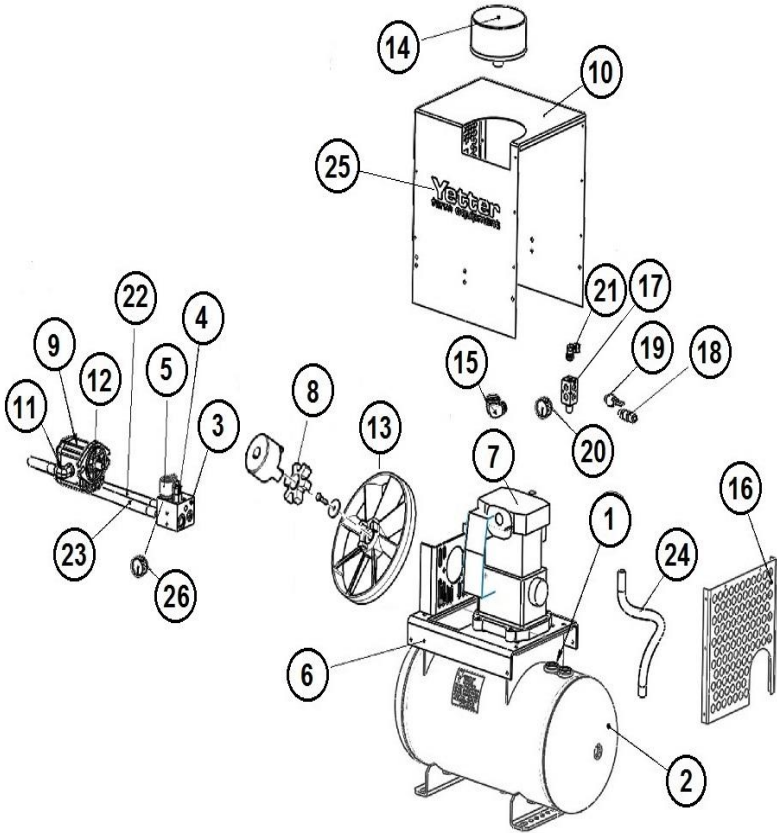
2984-156 CONTROL BOX PARTS IDENTIFICATION

ITEM	PART #	DESCRIPTION	QTY
1	2565-357	CONTROL BOX DECAL	1
2	2984-520	RAM-2461U VESA PLATE ADAPTER	1
3	2984-523	ELBOW FITTING, PLF-532-N01U	2
4	2984-524	358-910 PUSH PULL VALVE	1
5	2984-525	358-910 TOP SELECTOR VALVE	1
6	2984-526	CONTROL BOX ENCLOSURE W/ LID	1
7	2984-527	HAA51737 GAUGE SHUTTLE	2
8	2984-528	PANEL MOUNT GAUGE, 0-100PSI	1
9	2984-529	REGULATOR ASSEMBLY	5
10	2984-530	PANEL MOUNT GAUGE, 0-160PSI	1
11	2984-542	BULKHEAD FITTING, 3/8" PC X M14 X 1 STRT	6
12	2984-545	SWITCH	1
13	2984-546	DEUTSCH HOUSING FOR MALE TERM.	2
14	2984-550	ROW LOCK MANUAL ADJUST	1



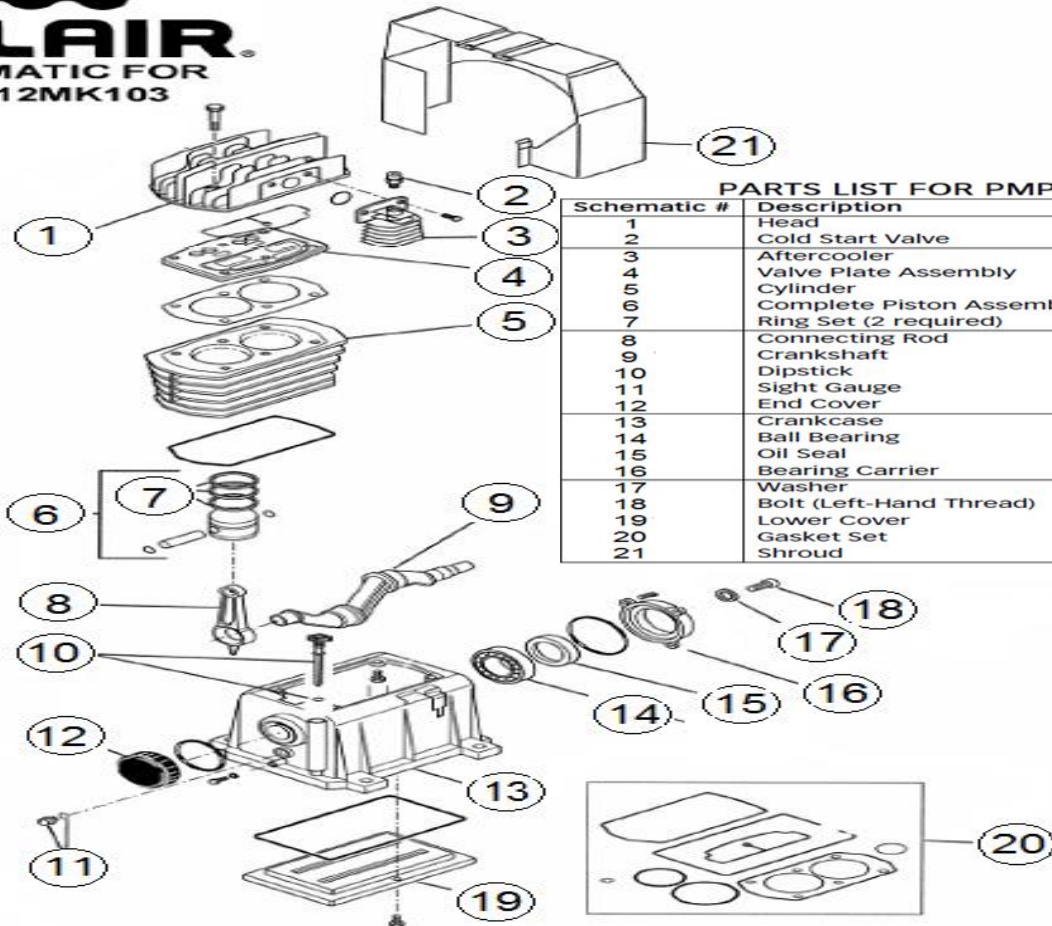
HYDRAULIC COMPRESSOR PARTS IDENTIFICATION

2940-106 HYD COMP PARTS IDENTIFICATION



Item	Part #	Description	Qty
1	N/A	CHECK VALVE	1
2	2940-440	12 GALLON TANK	1
3	2940-546	HYDRAULIC COMPRESSOR CONTROL BLOCK	1
4	N/A	FLOW CONTROL VALVE	1
5	2940-506	ON/OFF SOLENOID (COIL ONLY)	1
	2940-543	ON/OFF SOLENOID (CARTRIDGE VALVE)	1
6	N/A	FRAME	1
7	2940-545	ROL-AIR COMPRESSOR PUMP UNIT	1
8	2940-531	RUBBER SPIDER INSERT FOR LOVEJOY COUPLER	1
9	2940-554	HYDRAULIC MOTOR	1
10	N/A	HOUSING COVER	1
11	N/A	MOTOR ELBOW FITTING	1
12	N/A	INLET ELBOW FITTING	1
13	2940-519A	HYDRAULIC COMPRESSOR FAN, CAST (will fit on all Yetter Hyd. Compressors)	1
14	2940-549	HYDRAULIC COMPRESSOR AIR FILTER (FILTER ELEMENT ONLY)	1
15	N/A	FILTER ELBOW	1
16	N/A	BACK GUARD	1
17	N/A	AIR MANIFOLD	1
18	2940-416	175PSI TANK SAFETY RELIEF VALVE	1
19	2940-377	COMPRESSOR PRESSURE SWITCH 125-145PSI	1
20	2940-439	0-160PSI HYDRAULIC COMPRESSOR GAUGE	1
21	2940-635	3/8PTC X 3/8 NPT 90 DEGREE ELBOW FITTING, SWIVEL	1
22	N/A	TANK HOSE	1
23	N/A	INLET HOSE	1
24	N/A	PRESSURE LINE	1
25	2565-058	YETTER DECAL	1
26	2940-544	HYDRAULIC PRESSURE GAUGE WITH ADAPTER 0 - 5000PSI (LIQUID FILLED)	1

ROLAIR
SCHEMATIC FOR
PMP12MK103

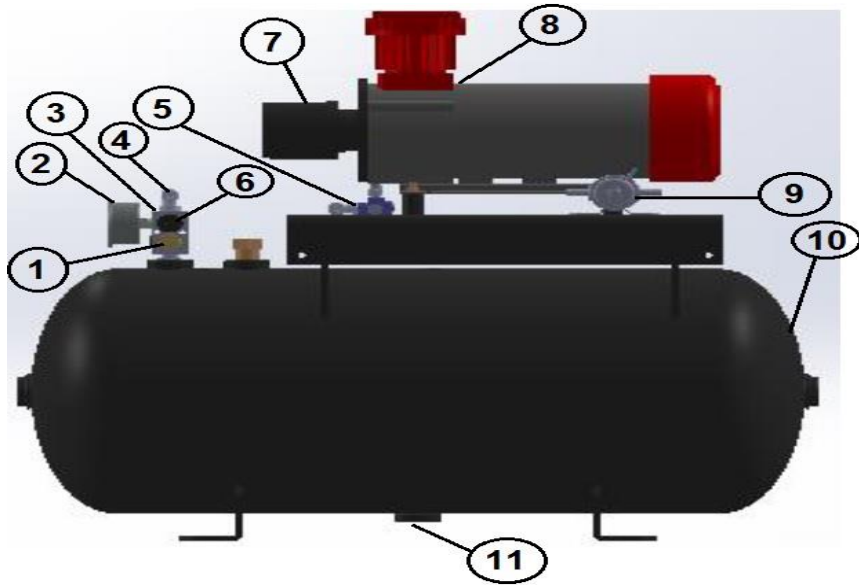


PARTS LIST FOR PMP12MK103

Schematic #	Description	Part #	Qty.
1	Head	FC113167020	1
2	Cold Start Valve	FC011158000	1
3	Aftercooler	FC116091024	1
4	Valve Plate Assembly	FC413167005	1
5	Cylinder	FC113167002	1
6	Complete Piston Assembly	FC413167006	2
7	Ring Set (2 required)	FC213167001	2
8	Connecting Rod	FC113150004	2
9	Crankshaft	FC113167003	1
10	Dipstick	FC312036000	1
11	Sight Gauge	FC012029000	1
12	End Cover	FC113149009	1
13	Crankcase	FC113167001	1
14	Ball Bearing	FC033027000	1
15	Oil Seal	FC010053000	1
16	Bearing Carrier	FC113149008	1
17	Washer	FC014005001	1
18	Bolt (Left-Hand Thread)	FC014001057	1
19	Lower Cover	FC113149015	1
20	Gasket Set	FC213167002	1
21	Shroud	FC113150002	1

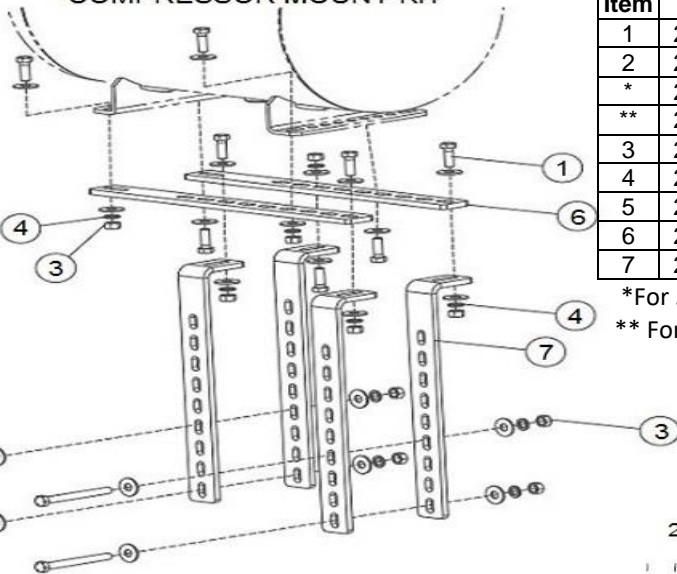
2940-101A PARTS IDENTIFICATION

Item	Part #	Description	Qty
1	2940-416	175PSI TANK SAFETY RELIEF VALVE	1
2	2940-439	0-160PSI HYDRAULIC COMPRESSOR GAUGE	1
3	N/A	AIR MANIFOLD	1
4	2940-635	3/8PC X 3/8NPT 90° ELBOW FITTING, SWIVEL	1
5	2940-336	HIGH PRESSURE RELIEF VALVE (NO FITTINGS)	1
	1200-323	1/4"PC TO 1/8NPT ELBOW	
6	2940-377	COMPRESSOR PRESSURE SWITCH 125-145PSI	1
7	2940-395	FILTER ELEMENT	1
8	2940-390	ELECTRIC COMPRESSOR	1
9	2940-391	COMPRESSOR RELAY	1
10	N/A	12 GALLON TANK	1
11	N/A	1/4 TURN TANK DRAIN VALVE	1



PARTS IDENTIFICATION

2940-086 DRAFT TUBE/UNIVERSAL COMPRESSOR MOUNT KIT

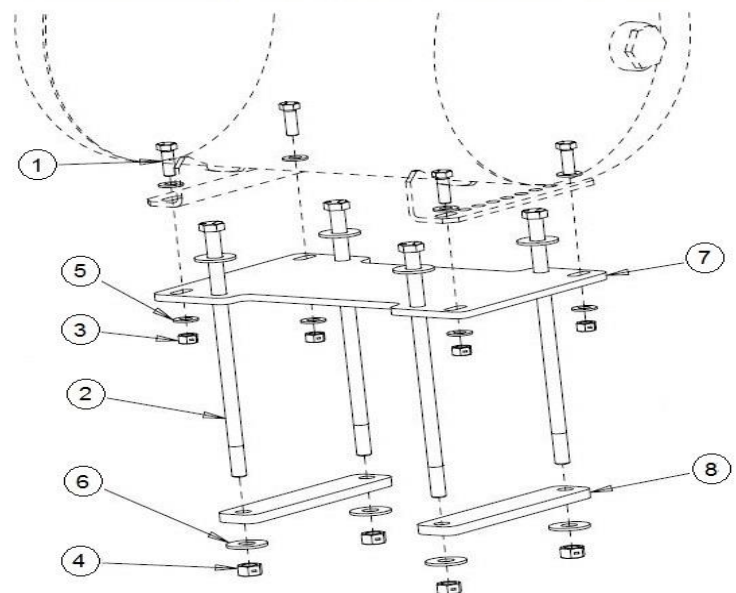


Item	Part #	Description	Qty
1	2502-294	1/2-13 X 1 1/2 HHCS GR 5 ZP	8
2	2502-349	1/2-13 X 5 FLTHD HHCS GR 5 ZP	4
*	2502-371	1/2-13 X 7 GR 5 ZP (NOT INCLUDED)	4
**	2502-374	1/2-13 X 9 GR 5 ZP (NOT INCLUDED)	4
3	2520-352	1/2-13 HEX NUT ZP	12
4	2525-352	1/2 MED LOCK WASHER ZP	12
5	2526-351	1/2 STANDARD FLAT WASHER ZP	24
6	2940-344	COMPRESSOR STRAP	2
7	2940-351	COMPRESSOR MOUNT BRACKET	4

*For 5"D X 7"T toolbar

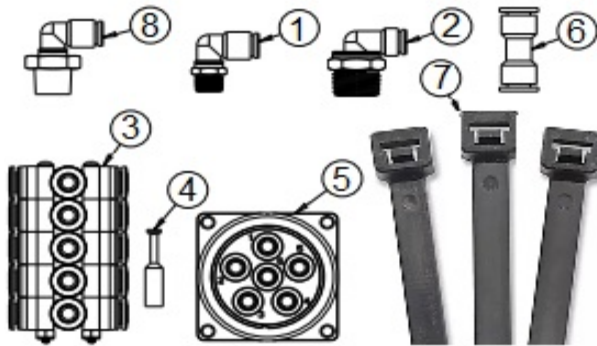
** For 7"D X 7"T toolbar

2940-090 8x12 & 2940-091 8x16 HYD COMP MOUNT KIT



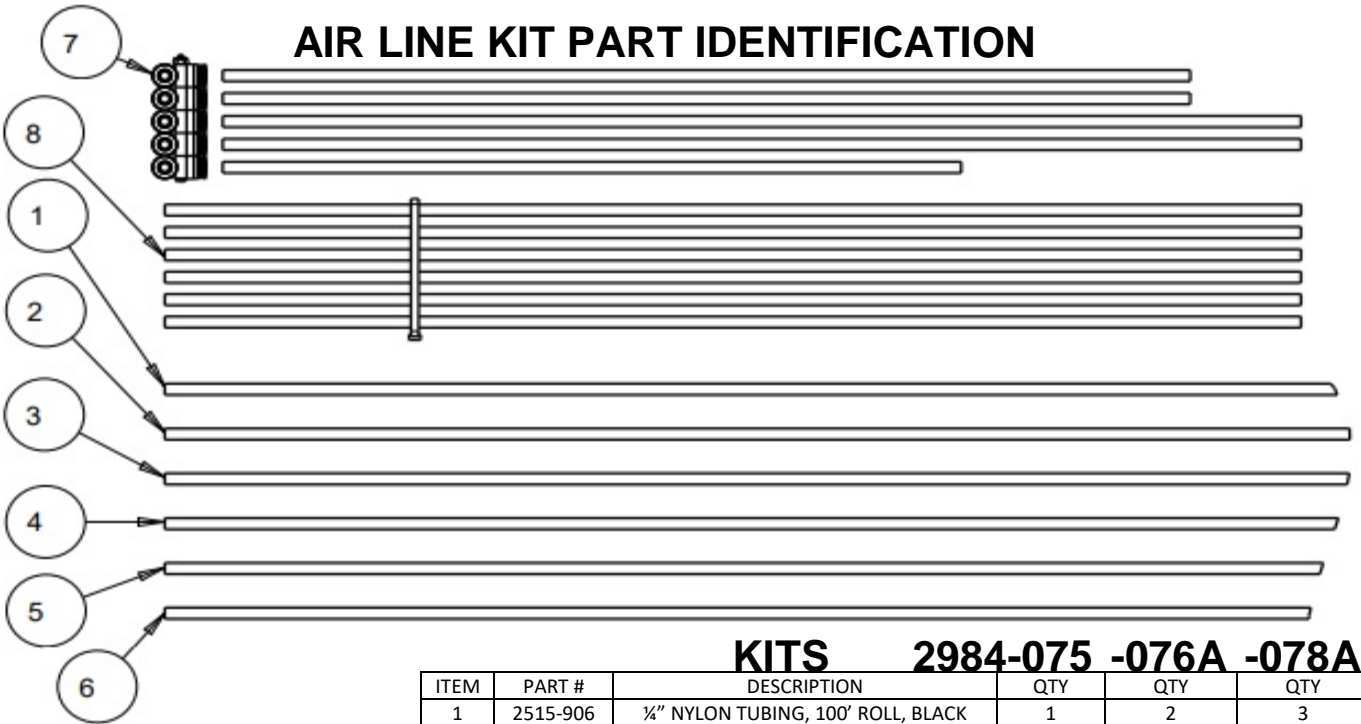
Item	Part #	Description	Qty
1	2502-294	1/2-13 X 1 1/2 HHCS GR 5 ZP	4
2	2502-388	5/8-11 X 14 HHCS GR 5 ZP (IN THE 2940-090 KIT)	4
	2502-389	5/8-11 X 18 HHCS GR 5 ZP (IN THE 2940-091 KIT)	4
3	2520-357	1/2-13 HEX LOCK NUT ZP	4
4	2520-459	5/8-11 HEX LOCK NUT ZP	4
5	2526-352	1/2 STANDARD FLAT WASHER ZP	8
6	2526-451	5/8 STANDARD FLAT WASHER ZP	8
7	2940-372	HYDRAULIC COMPRESSOR MOUNT PLATE	1
8	2940-373	MOUNT STRAP	2

2984-168 SMALL PARTS KIT IDENTIFICATION



ITEM	PART #	DESCRIPTION	QTY
1	1200-323	1/4" TUBE TO 1/8NPT MALE 90° SWIVEL	2
2	2515-307	1/4" TUBE X 3/8NPTM 90° SWIVEL	4
3	2515-903	5 CIRCUIT 1/4" TEE BANK ASSEMBLY	7
4	2515-904	1/4" PUSH PLUG	32
5	2515-907	6 PORT FLNG MOUNT PUSH CONNECTOR	1
6	2515-911	1/4" PUSH IN STRT UNION	4
7	2940-148	PKG OF 100 ZIP TIES	4
8	2940-423	1/4" TUBE X 1/4"NPT MALE 90° SWIVEL	4

AIR LINE KIT PART IDENTIFICATION



KITS 2984-075 -076A -078A

ITEM	PART #	DESCRIPTION	QTY	QTY	QTY
1	2515-906	1/4" NYLON TUBING, 100' ROLL, BLACK	1	2	3
2	2515-908	1/4" NYLON TUBING, 100' ROLL, BLUE	1	2	3
3	2515-909	1/4" NYLON TUBING, 100' ROLL, ORANGE	1	2	3
4	2515-910	1/4" NYLON TUBING, 100' ROLL, RED	1	1	1
5	2515-913	1/4" NYLON TUBING, 100' ROLL, GREEN	1	2	3
6	2515-914	1/4" NYLON TUBING, 100' ROLL, YELLOW	1	2	3
7	2984-161	ROW UNIT AIR LINE BUNDLE	12	16	24
8	2984-162	CAB TO HITCH AIRLINE BUNDLE	1	1	1

Troubleshooting Guide

Problem	Cause	Corrective Action
Compressor will not run	<ol style="list-style-type: none"> 1. air system is off 2. hydraulics disengaged 3. no power from battery 4. electrical connection issue 5. shut off psi(145psi) reached 6. worn compressor 7. Improper pressure switch function 	<ol style="list-style-type: none"> 1. Flip switch to ON on cab controller 2. engage compressor hydraulic circuit 3. check power connections from battery, check 2940-150 breaker at the battery 4. check harnesses from cab controller to compressor 5. compressor will restart after tank pressure drops below 125psi 6. replace compressor 7. replace pressure switch
Compressor runs continuously/air flow lower than normal	<ol style="list-style-type: none"> 1. excessive air usage 2. loose connections/air leak 3. Improper pressure switch function 4. clogged air filter element 5. worn compressor 6. defective safety valve 7. tank drain valve open 	<ol style="list-style-type: none"> 1. decrease air usage 2. perform leak check on all circuits 3. replace pressure switch 4. clean/replace filter element 5. replace compressor pump 6. replace safety valve 7. close tank drain valve
Hyd. Compressor struggles to build/won't build 145psi	flow control valve adjustment needed	Adjust flow control on hyd. block (see page 17)
Excessive noise from compressor	<ol style="list-style-type: none"> 1. loose mounting bolts 2. worn bearings 3. cylinder or piston is worn 4. compressor over speeding 	<ol style="list-style-type: none"> 1. tighten bolts 2. replace compressor 3. rebuild compressor 4. check compressor RPMs & slow motor down if needed, hydraulic plumbing of the compressor is incorrect
Excessive moisture in circuits	<ol style="list-style-type: none"> 1. excessive water in air tank 2. high humidity 	<ol style="list-style-type: none"> 1. drain tank, drain tank more frequently 2. move compressor to area with less humidity.
Hydraulic motor front seal leakage	<ol style="list-style-type: none"> 1. case drain clogged or unplugged 2. case drain not plumbed correctly 	<ol style="list-style-type: none"> 1. remove case drain plumbing and clean out debris/obstruction, replace seal 2. Plumb case drain according to instructions, replace seal
Not able to adjust air in a circuit	<ol style="list-style-type: none"> 1. regulator adjustment knob locked 2. selector valve has activated incorrect circuit 3. defective regulator 	<ol style="list-style-type: none"> 1. unlock regulator adjustment knob (pull) 2. adjust the selector valve to correct circuit 3. replace regulator
Too much residue in the strip	Row cleaner not set properly	<ol style="list-style-type: none"> 1. make row cleaner more aggressive 2. make row cleaner less aggressive (if residue is being thrown on row by adjacent row units)
Strips are not desirable	1. Large clods are left on/in strip	1. decrease row unit depth &/or rolling basket pressure (should decrease wet soil disturbance)





A Tradition of Solutions since 1930

Yetter Farm Equipment Co

PO BOX 358 109 S. McDonough

Colchester, IL 62326-0358

Phone: 309-776-4111

Toll Free: 800-447-5777

Email: info@yetterco.com

For updated models and manuals visit the Yetter website:

www.yetterco.com

© Yetter Farm Equipment Co. All Rights Reserved

2565-968_REV_D • 02/2024