

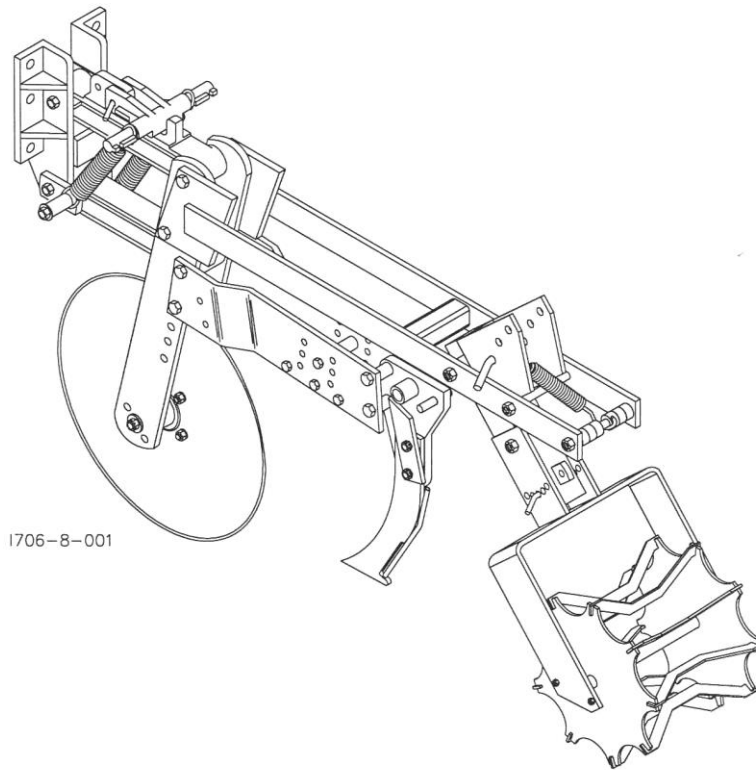


ROLLING BASKET ATTACHMENT

2984-026/2984-027

OPERATOR'S MANUAL
PART IDENTIFICATION

2565-738_REV_A 02/2024



1706-8-001

YETTER MANUFACTURING CO.
FOUNDED 1930

Colchester, IL 62326-0358

Toll free: 800/447-5777

309/776-3222 (Fax)

Website: www.yetterco.com

E-mail: info@yetterco.com

YETTER

FOREWORD

You've just joined an exclusive but rapidly growing club.

For our part, we want to welcome you to the group and thank you for buying a Yetter product.

We hope your new Yetter products will help you achieve both goals-increase your productivity and increase your efficiency so that you may generate more profit.

This operator's manual has been designed into four major sections: Foreword, Safety Precautions, Installation Instructions and Parts Breakdown.



This **SAFETY ALERT SYMBOL** indicates important safety messages in the manual. When you see this symbol, be alert to the possibility of **PERSONAL INJURY** and carefully read the message that follows.

The word **NOTE** is used to convey information that is out of context with the manual text. It contains special information such as specifications, techniques and reference information of a supplementary nature.

The word **IMPORTANT** is used in the text when immediate damage will occur to the machine due

to improper technique or operation. Important will apply to the same information as specified by note only of an immediate and urgent nature.

It is the responsibility of the user to read the operator's manual and comply with the safe and correct operating procedure and to lubricate and maintain the product according to the maintenance schedule in the operator's manual.

The user is responsible for inspecting his machine and for having parts repaired or replaced when continued use of the product would cause damage or excessive wear to the other parts.

It is the user's responsibility to deliver his machine to the Yetter dealer who sold him the product for service or replacement of defective parts, which are covered by the warranty policy.

If you are unable to understand or follow the instructions provided in this publication, consult your local Yetter dealer or contact:

YETTER MANUFACTURING CO.

309/776-4111

800/447-5777

309/776-3222 (FAX)

Website: www.yetterco.com

E-mail: info@yetterco.com

WARRANTY

Yetter Manufacturing warrants all products manufactured and sold by it against defects in material. This warranty being expressly limited to replacement at the factory of such parts or products as shall appear to be defective after inspection. This warranty does not obligate the Company to bear cost of labor in replacement of parts. It is the policy of the Company to make improvements without incurring obligations to add them to any unit already sold. No warranty is made or authorized to be made, other than herein set forth. This warranty is in effect for one year after purchase.

DEALER: _____

Yetter Manufacturing warrants its own products only and cannot be responsible for damages to equipment on which mounted.

SAFETY

A brief description of signal words that may be used in this manual:

CAUTION: Used as a general reminder of good safety practices or to direct attention to unsafe practices.

WARNING: Denotes a specific potential hazard.

DANGER: Denotes the most serious specific potential hazard.

SAFETY PRECAUTIONS

You can make your farm a safer place to live and work if you observe the safety precautions given. Study these precautions carefully and insist that those working with you and for you follow them.

Finally, remember this: an accident is usually caused by someone's carelessness, neglect or oversight.



WARNING

Never clean, lubricate or adjust a machine that is in motion. Always lower or block the implement before performing service.

If the machine must be serviced in the raised position, jack or block it up to prevent it from accidentally falling and injuring someone.

Do not allow riders on the tractor or implement.

Use speeds and caution dictated by the terrain being traversed. Do not operate on any slope steep enough to cause tipping or loss of control.

Be sure all personnel are clear of the immediate area before operating.

Read and understand the operator's manual and require all other persons who will operate the equipment to do the same.

Be familiar with all tractor and implement controls and be prepared to stop engine and implements quickly in an emergency.



CAUTION

Consult your implement and tractor operator's manual for correct and safe operating practices.

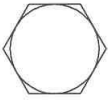



Beware of towed implement width and allow safe clearance.

FAILURE TO HEED MAY RESULT IN PERSONAL INJURY OR DEATH.

TABLE OF CONTENTS

Cover Page.....	1
Foreword.....	2
Safety Symbols and Meanings.....	3
Table of Contents.....	4
Torque Specifications.....	4
Adjustments.....	5
Assembly Instructions.....	6-10
Maintenance.....	11
Parts Identification.....	12-14
Trouble Shooting.....	15

The following table shows torque in ft. lbs. for coarse thread hardware.

BOLT DIA. AND THREADS PER INCH	 GRADE 2	 OR  GRADE 5 A-325	 GRADE 8
3/8-16	25	35	50
7/16-14	35	55	80
1/2-13	55	85	125
9/16-12	75	125	175
5/8-11	105	170	235
3/4-10	185	305	425
7/8-9	170	445	690
1-8	260	670	1030
1 1/8-7	365	900	1460
1 1/4-7	515	1275	2060
1 3/8-6	675	1675	2700
1 1/2-6	900	2150	3500
1 3/4-5	1410	3500	5600

Lubricate all bearings and moving parts as assembled and make certain that they work freely.



WARNING: Never work around the toolbar/implement while in a raised position without using safety lockups.

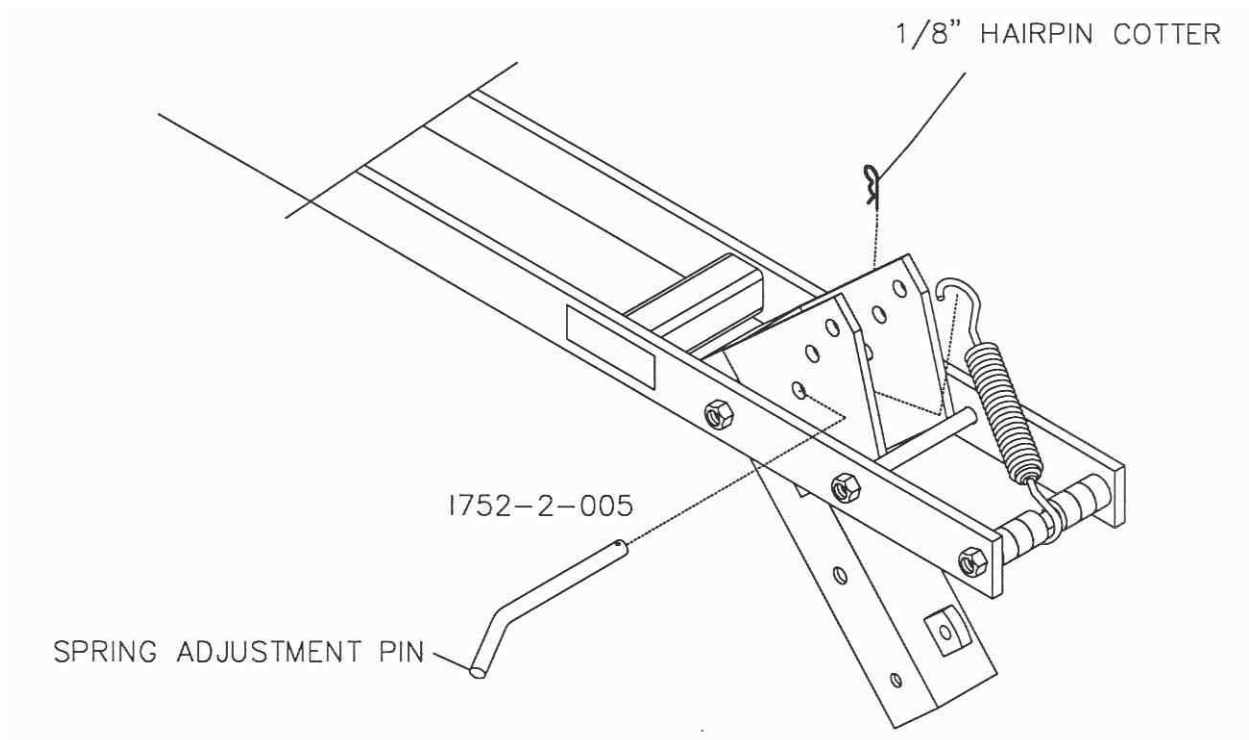
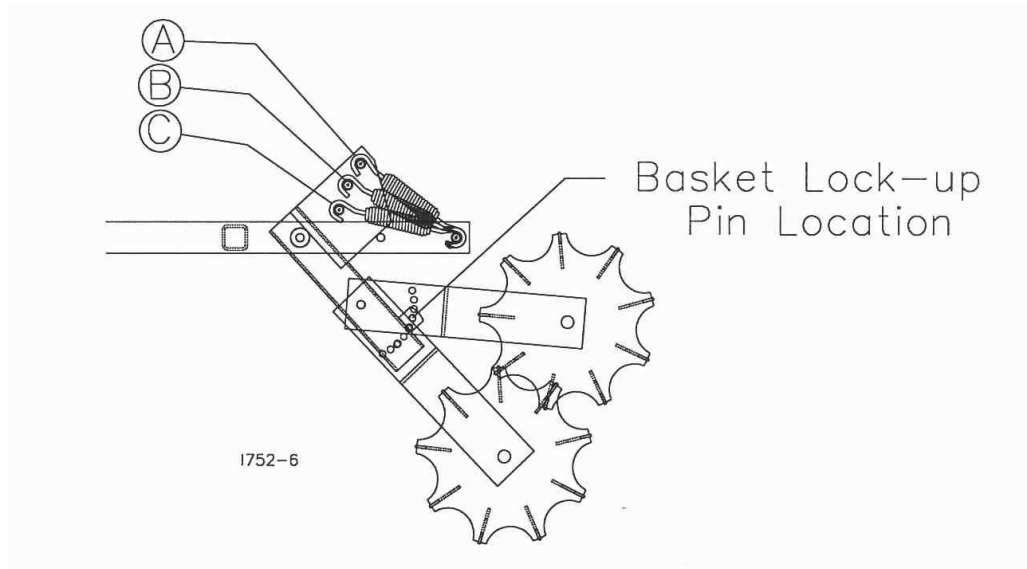


CAUTION: The Residue manager attachments are very heavy. Pay extra attention to lifting techniques while handling and or maneuvering the opener during assembly. Failure to do so may lead to personal injury.

ADJUSTMENTS

ROLLING BASKET ATTACHMENT

- 1) DOWN PRESSURE – SPRING DOWN PRESSURE CAN BE INCREASED BY MOVING SPRING TO HOLE “A”. DECREASE DOWN PRESSURE BY PLACING SPRING IN HOLE “C”.
- 2) DISENGAGE ROLLING BASKET ATTACHMENT – LIFT BASKET AND INSERT PIN. SEE DIAGRAM BELOW.

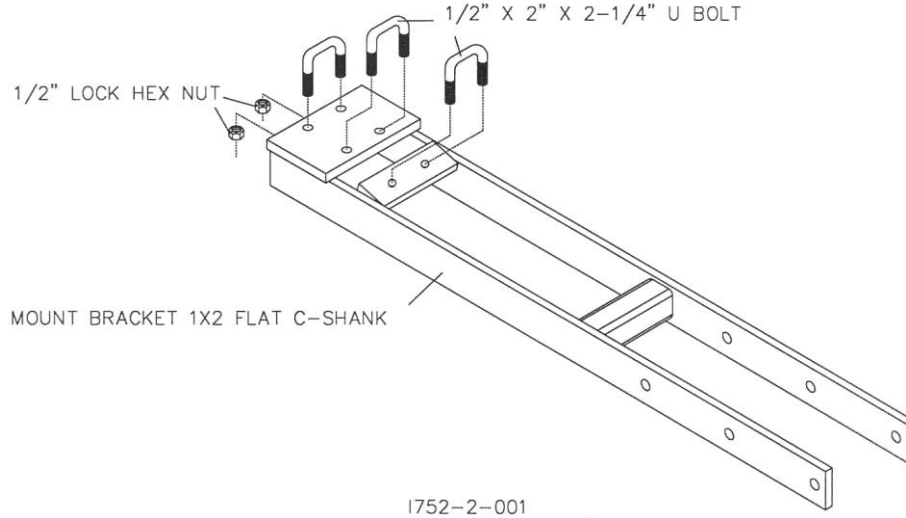


ASSEMBLY

ROLLING BASKET ATTACHMENT

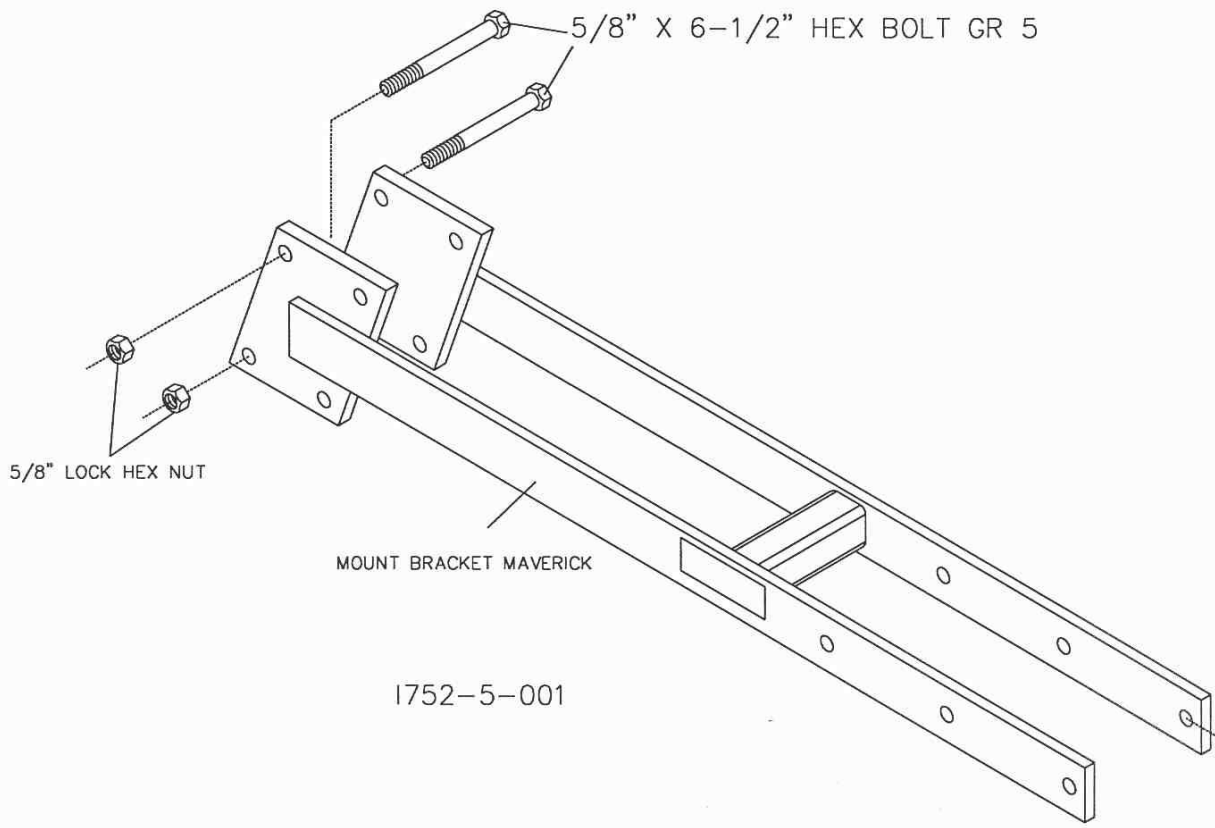
2984-026

ATTACH ROLLING BASKET MOUNT BRACKET TO THE "C-SHANK" USING THE 1/2" X 2" X 2 1/4" U-BOLTS, SECURE WITH 1/2" LOCK HEX NUTS.



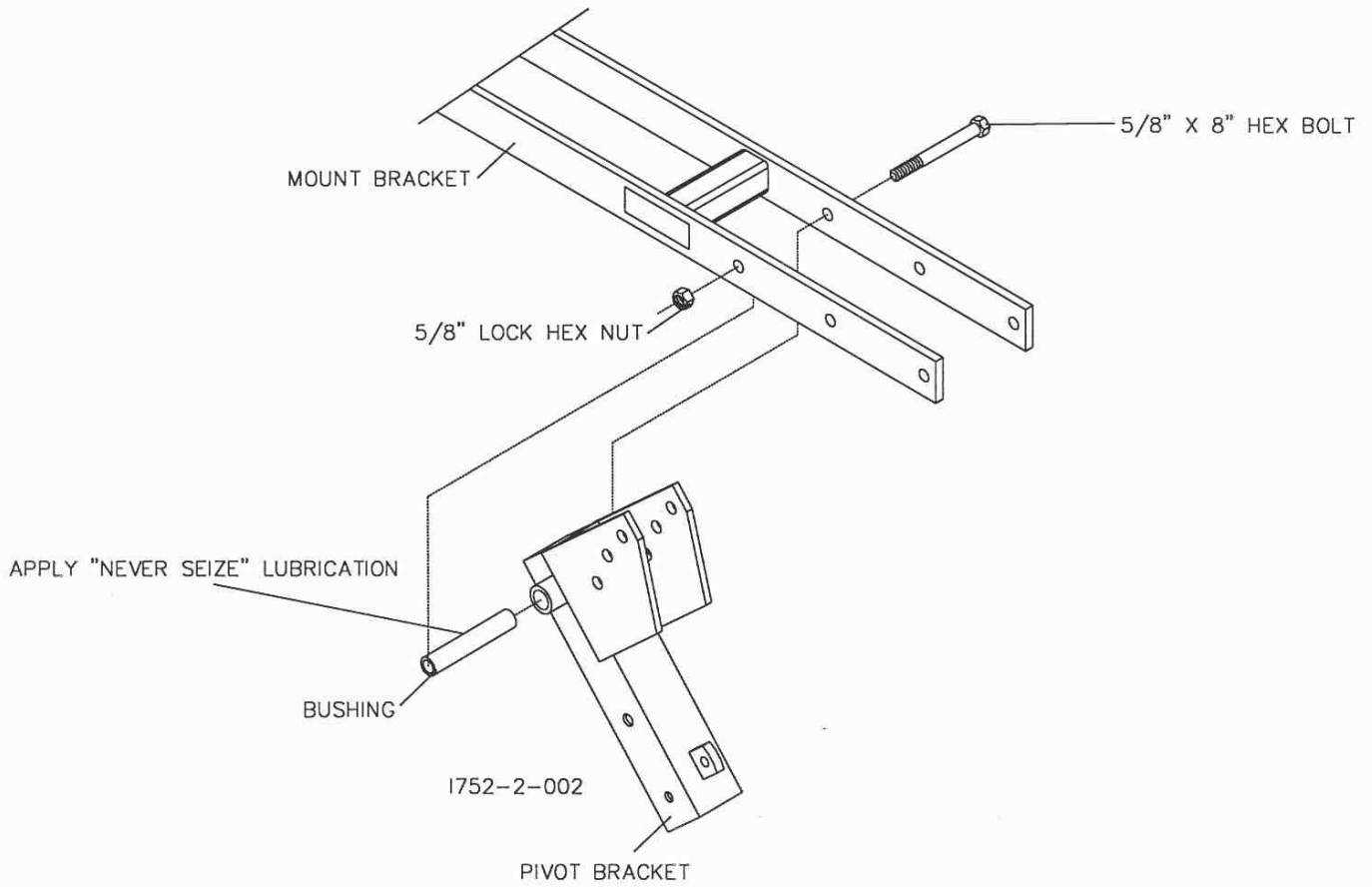
2984-027

ATTACH ROLLING BASKET MOUNT BRACKET TO THE MAVERICK™ OPENER USING THE 5/8" X 6 1/2" HEX BOLTS, SECURE WITH 5/8" LOCK HEX NUTS.



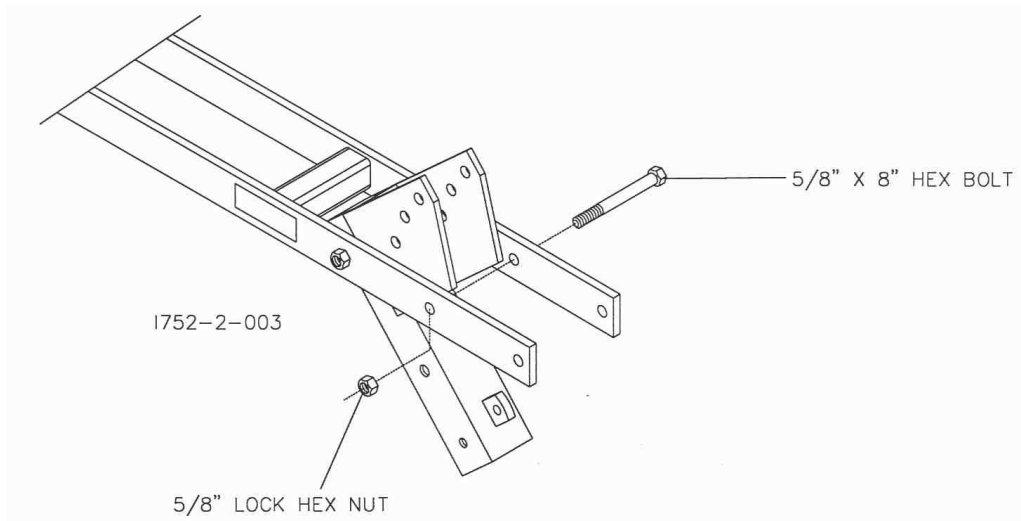
ASSEMBLY

ATTACH THE PIVOT BRACKET AND BUSHING (APPLY "NEVER SEIZE" LUBRICATION TO THE BUSHING BEFORE INSTALLING) TO THE MOUNT BRACKET USING THE 5/8" X 8" HEX BOLT AND 5/8" LOCK HEX NUT.

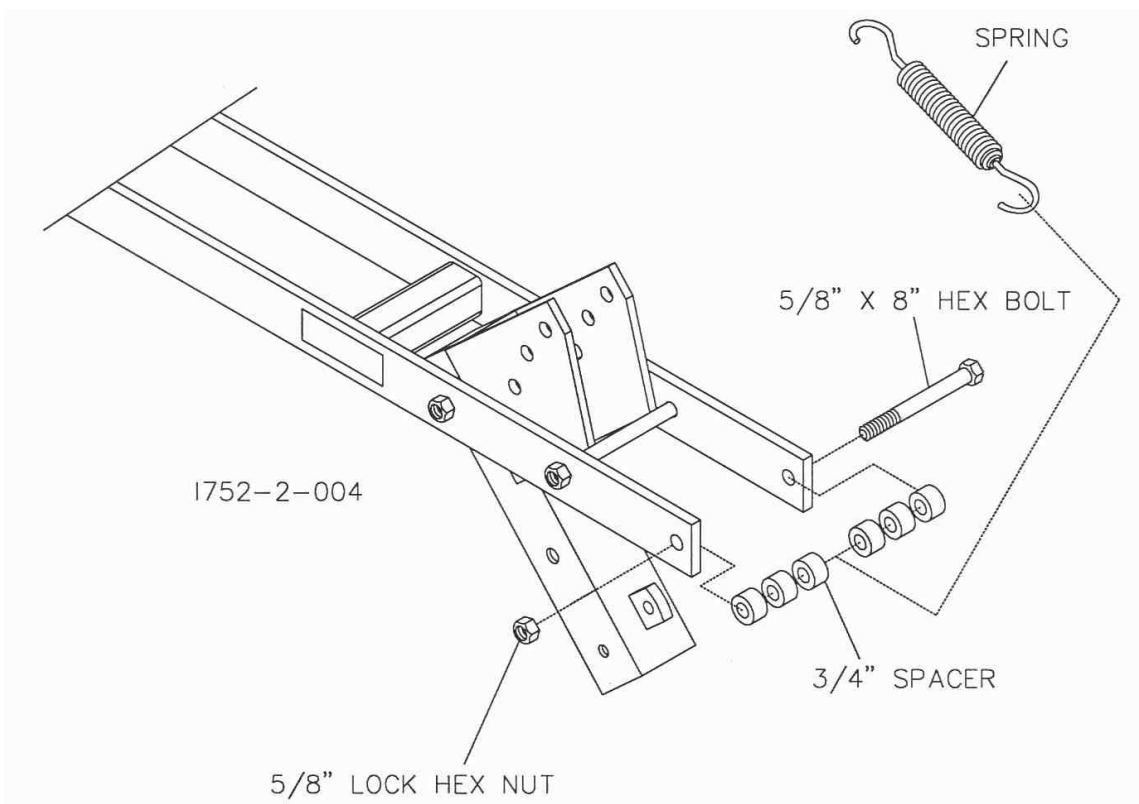


ASSEMBLY

LIFT THE PIVOT BRACKET AND INSTALL THE 5/8" X 8" HEX BOLT AND 5/8" LOCK HEX NUT.

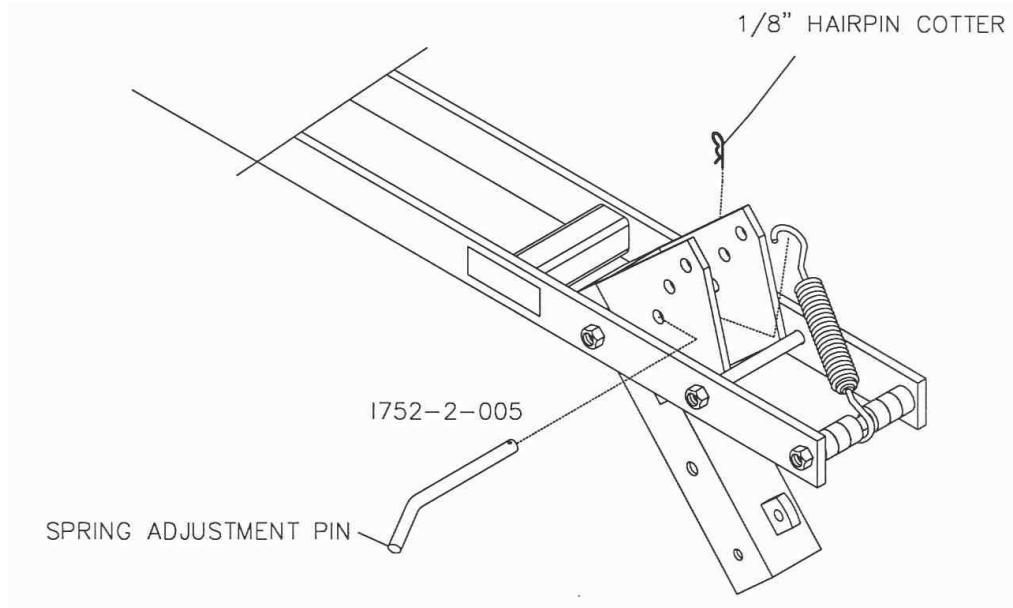


ATTACH THE EXTENSION SPRING TO THE MOUNT BRACKET. USE THE 5/8" X 8" HEX BOLT, (6) 3/4" SPACERS AND 5/8" LOCK HEX NUT.

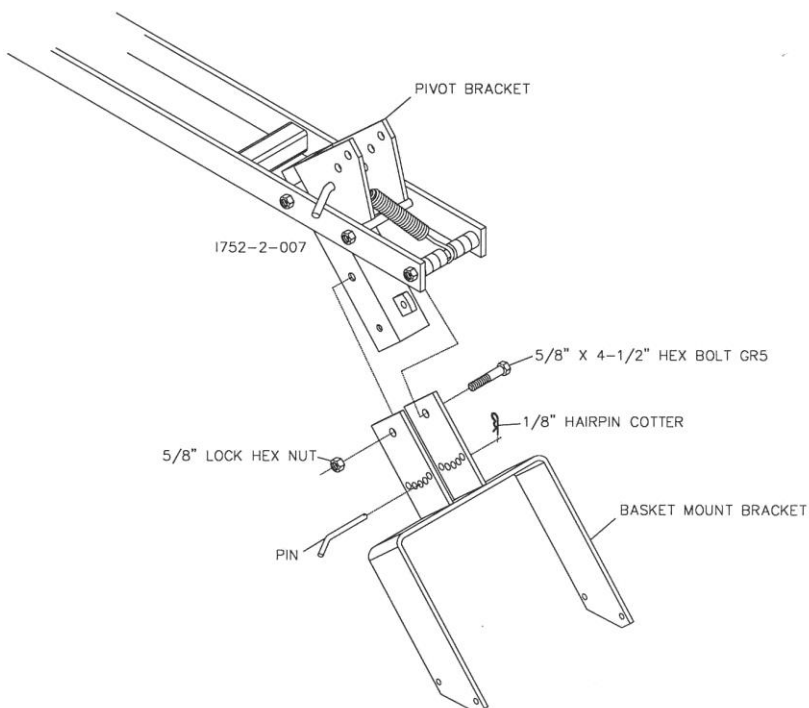


ASSEMBLY

INSTALL THE SPRING ADJUSTMENT PIN AND SECURE WITH THE 1/8" HAIRPIN COTTER.

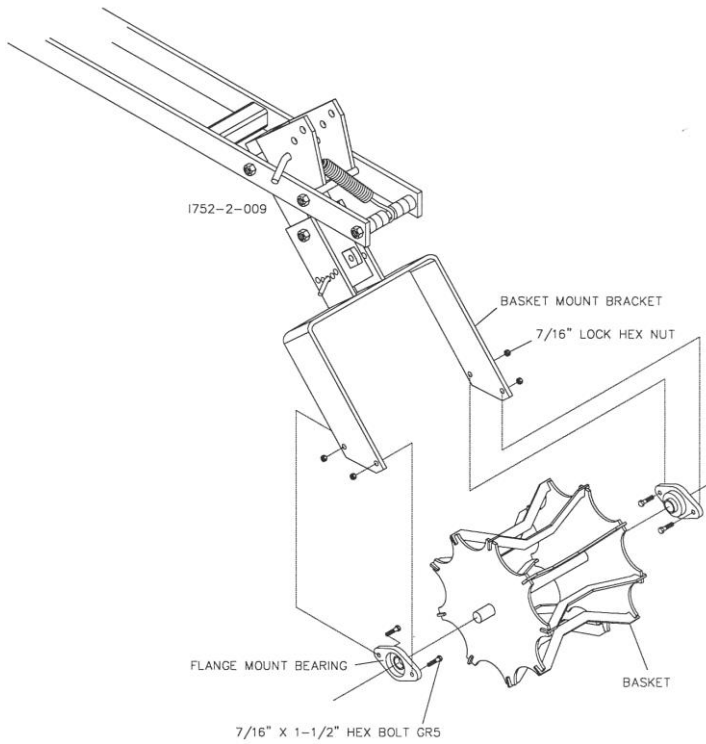


USE THE LIGHTEST SPRING PRESSURE THAT WILL PROVIDE A SATISFACTORY BERM.
ATTACH THE BASKET MOUNT BRACKET TO THE PIVOT BRACKET USING THE 5/8" X 4 1/2" HEX BOLT AND 5/8" LOCK HEX NUT. ALSO, INSTALL THE ADJUSTMENT PIN AND 1/8" HAIRPIN COTTER.

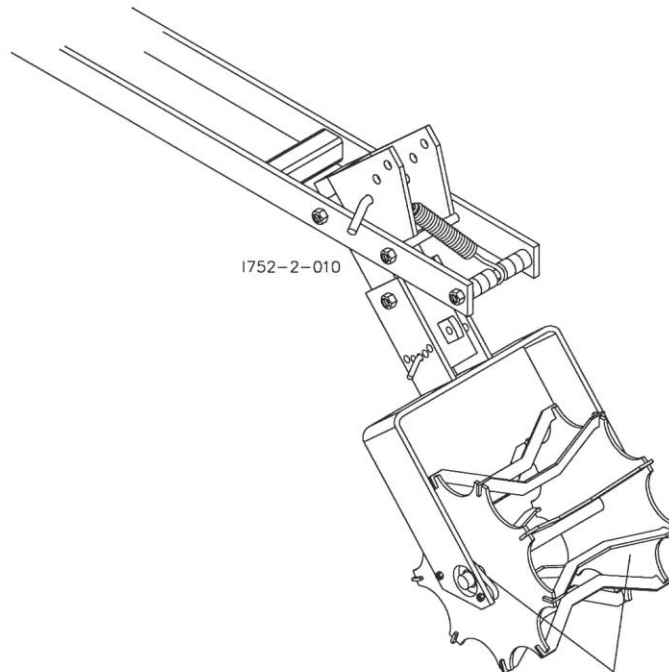


ASSEMBLY

INSTALL THE BASKET WITH FLANGE MOUNT BEARINGS TO THE BASKET MOUNT BRACKET USING (4) 7/16" X 1 1/2" HEX BOLT AND 7/16" LOCK HEX NUT.



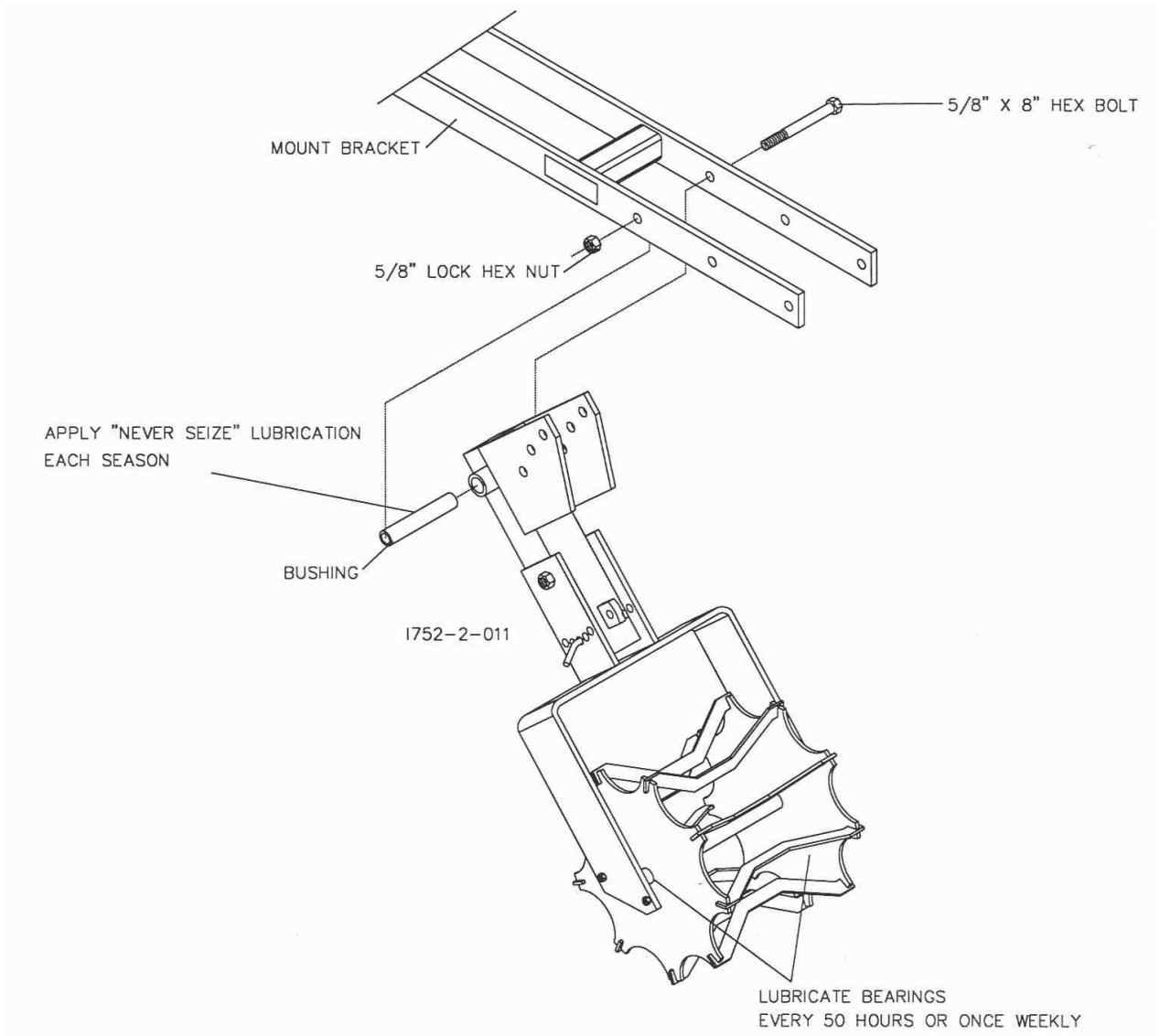
CENTER THE BASKET IN THE BASKET MOUNT BRACKET AND "TRIPLE TIGHTEN" THE SET SCREWS.



NOTE: TIGHTEN SET SCREWS IN BEARINGS AFTER THE UNIT IS COMPLETELY ASSEMBLED, MAKE SURE BASKET IS CENTERED.

MAINTENANCE

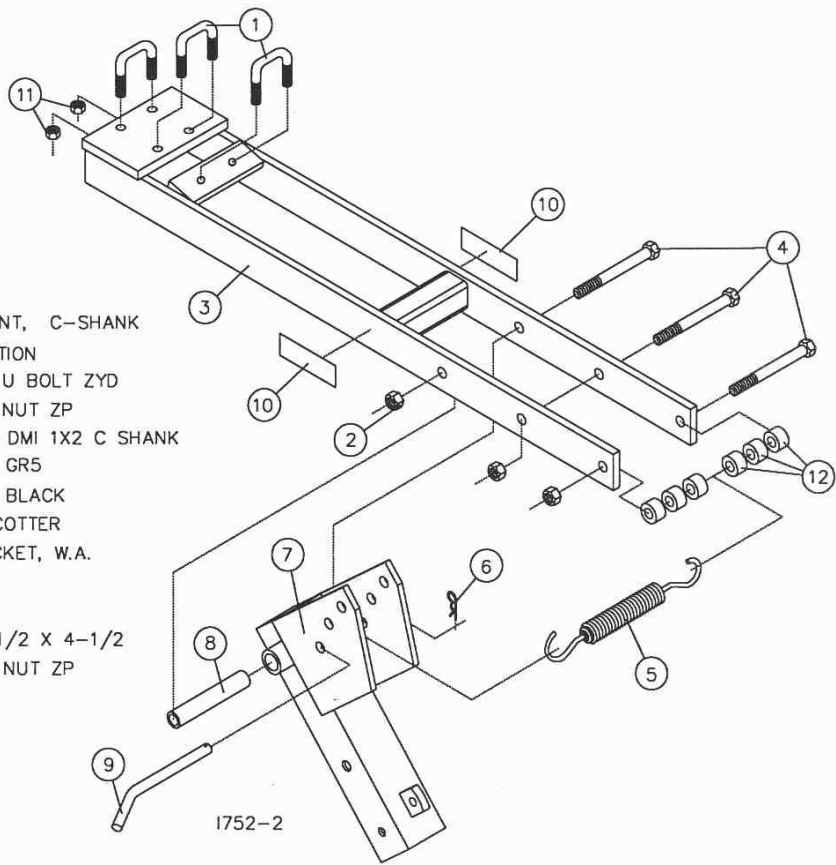
- ALWAYS LUBRICATE THE IMPLEMENT THOROUGHLY BEFORE TAKING IT TO THE FIELD.
- ALWAYS LOWER THE IMPLEMENT UNTIL ALL SHANK POINTS REST ON THE GROUND.
- LUBRICATE FITTINGS AND BUSHINGS AS INDICATED IN THE DIAGRAM BELOW.
- BE SURE GREASE FITTINGS ARE FREE FROM DIRT AND PAINT SO THE LUBRICANT IS CERTAIN TO ENTER THE PROPER AREAS. CLEAN FITTINGS THOROUGHLY BEFORE USING.
- USE NO. 2 MULTI-PURPOSE LITHIUM GREASE.



PARTS IDENTIFICATION

2984-026 ROLLING BASKET ATTACHMENT, C-SHANK

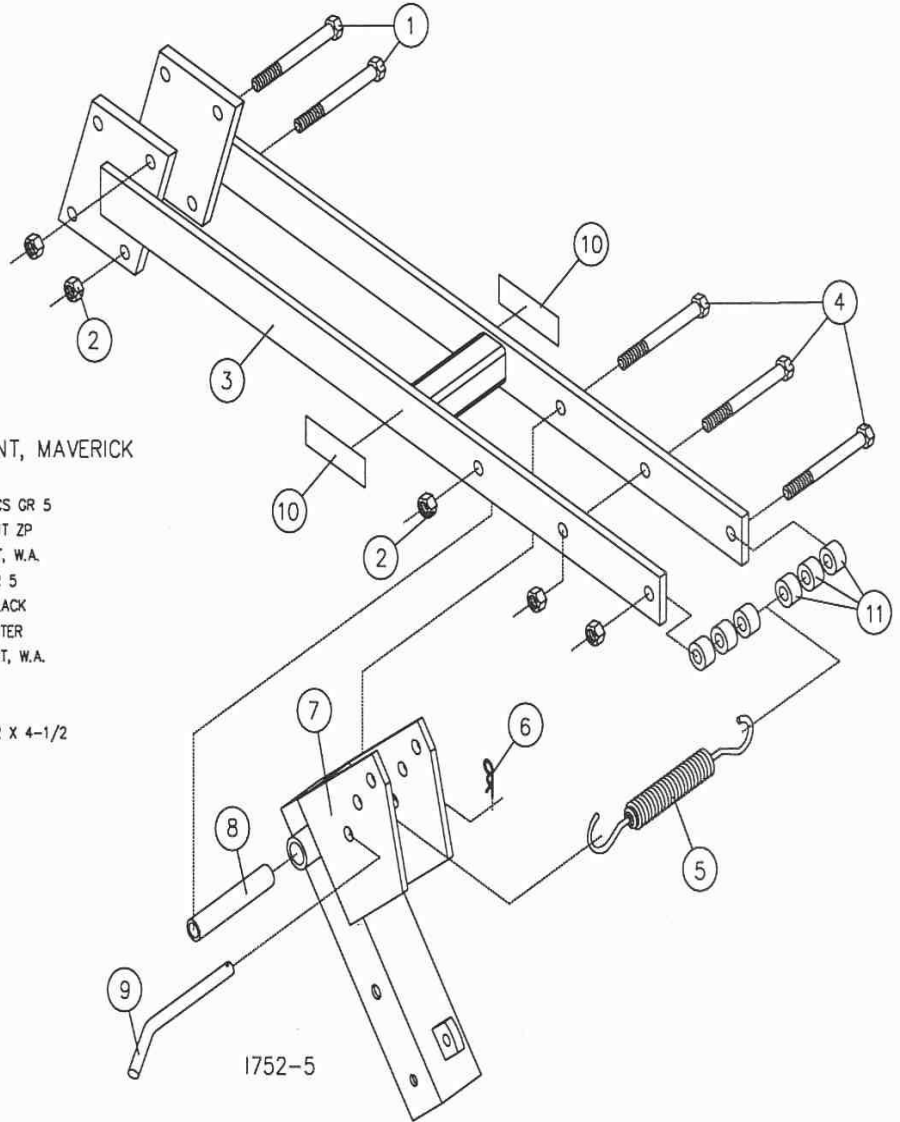
DET	QTY	PART NO.	DESCRIPTION
1	3	2570-068	1/2 X 2 X 2-1/4 U BOLT ZYD
2	3	2520-459	5/8-11 LOCK HEX NUT ZP
3	1	2984-210	ROL BSKT MOUNT- DMI 1X2 C SHANK
4	3	2502-394	5/8-11 X 8 HHCS GR5
5	1	2960-224	SPRING ASSEMBLY, BLACK
6	2	2570-448	1/8 STD HAIRPIN COTTER
7	1	2984-211	PIVOT MOUNT BRACKET, W.A.
8	1	2984-351	SPACER BUSHING
9	1	2984-352	SPRING ADJ. PIN
10	2	2565-162	YETTER DECAL, 1-1/2 X 4-1/2
11	6	2520-357	1/2-13 LOCK HEX NUT ZP
12	6	2967-302	SPACER, 3/4 ZYD



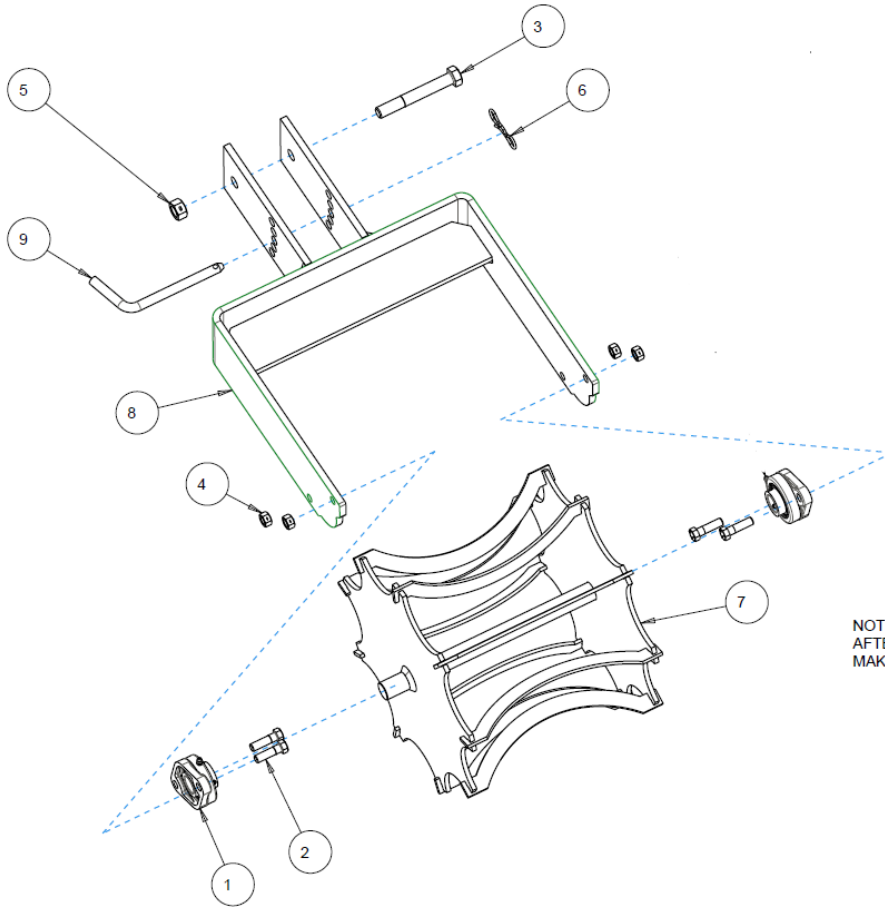
PARTS IDENTIFICATION

2984-027 ROLLING BASKET ATTACHMENT, MAVERICK

DET	QTY	PART NO.	DESCRIPTION
1	2	2502-395	5/8-11 X 6-1/2 HHCS GR 5
2	5	2520-459	5/8-11 LOCK HEX NUT ZP
3	1	2984-214	MAV. MOUNT BRACKET, W.A.
4	3	2502-394	5/8-11 X 8 HHCS GR 5
5	1	2960-224	SPRING ASSEMBLY, BLACK
6	2	2570-448	1/8 STD HAIRPIN COTTER
7	1	2984-211	PIVOT MOUNT BRACKET, W.A.
8	1	2984-351	SPACER BUSHING
9	1	2984-352	SPRING ADJ. PIN
10	2	2565-162	YETTER DECAL, 1-1/2 X 4-1/2
11	6	2967-302	SPACER, 3/4 ZYD



PARTS IDENTIFICATION



NOTE: TIGHTEN SET SCREWS IN BEARINGS AFTER THE UNIT IS COMPLETELY ASSEMBLED. MAKE SURE BASKET IS CENTERED.

ITEM	PART NO.	DESCRIPTION	QTY
1	1310-333	FLANGE MOUNT BEARING	2
2	2502-266	7/16-14 X 1.5" CAP SCREW GRADE 5	4
3	2502-334	5/8-11 X 4.5 CAP SCREW GRADE 5	1
4	2520-267	7/16-14 LOCK NUT	4
5	2520-459	5/8-11 LOCK NUT GRADE 5	1
6	2570-448	BOWTIE COTTER PIN	1
7	2984-213	ROLLING BASKET	1
8	2984-267	BASKET MOUNT	1
9	2984-320	PIN	1

TROUBLE SHOOTING

PROBLEM

BERM SIZE OR SHAPE
IS NOT UNIFORM

POSSIBLE CAUSE

DISC SEALER BLADES NOT AT
EQUAL ANGLE

SOLUTION

ADJUST BLADES TO
EXACT SAME ANGLE

INSUFFICIENT SPRING PRESSURE
ON ROLLING BASKET ATTACHMENT

CHANGE SPRING
TO INCREASE
DOWN PRESSURE
(SEE ADJUSTMENTS)

LARGE CLODS OR CHUNCKS

INSUFFICIENT SPRING PRESSURE
ON ROLLING BASKET ATTACHMENT

CHANGE SPRING
TO INCREASE
DOWN PRESSURE
(SEE ADJUSTMENTS)

COULTER CUTTING BLADE RUNNING
TOO DEEP

OPERATE COULTER
CUTTING BLADE JUST
DEEP ENOUGH TO
SLICE CROP RESIDUE

FERTILIZER KNIFE TOO DEEP

OPERATE KNIVES
SHALLOWER

RESIDUE OR MUD PLUGGING

DISC SEALER BLADES HAVE
TOO MUCH ANGLE

DECREASE DISC
SEALER ANGLE

CONDITIONS TOO WET

LOCK UP ROLLING
BASKET ATTACHMENT

Our name Is getting known

Just a few years ago, Yetter products were sold primarily to the Midwest only. Then we embarked on a program of expansion and moved into the East, the South, the West and now north into Canada. We're even getting orders from as far away as Australia and Africa.

So, when you buy Yetter products . . .you're buying a name that's recognized. A name that's known and respected. A name that's become a part of American agriculture and has become synonymous with quality and satisfaction in the field of conservation tillage.

Thank you.

YETTER MANUFACTURING CO.
Colchester, IL 62326-0358 • 309/776-4111
Toll Free 800/447-5777
Fax 309/776-3222
Website: WWW.YETTERCO.COM
E-MAIL: INFO@YETTERCO.COM

2565-738_REV_A• 02/2024