



2967-115A
RESIDUE MANAGER ATTACHMENT
FOR
2960 SERIES II UNIT MOUNTED
CONSERVATION COULTER
2565-327_REV_G 08/2023



YETTER MANUFACTURING CO.
FOUNDED 1930

Colchester, IL 62326-0358
Toll free: 800/447-5777
309/776-3222 (Fax)
Website: www.yetterco.com
E-mail: info@yetterco.com

YETTER

FOREWORD

You've just joined an exclusive but rapidly growing club.

For our part, we want to welcome you to the group and thank you for buying a Yetter product.

We hope your new Yetter products will help you achieve both goals-increase your productivity and increase your efficiency so that you may generate more profit.

This operator's manual has been designed into four major sections: Foreword, Safety Precautions, Installation Instructions and Parts Breakdown.



This **SAFETY ALERT SYMBOL** indicates important safety messages in the manual. When you see this symbol, be alert to the possibility of **PERSONAL INJURY** and carefully read the message that follows.

The word **NOTE** is used to convey information that is out of context with the manual text. It contains special information such as specifications, techniques and reference information of a supplementary nature.

The word **IMPORTANT** is used in the text when immediate damage will occur to the machine due to improper technique or operation. Important will apply to the same information as specified by

note only of an immediate and urgent nature.

It is the responsibility of the user to read the operator's manual and comply with the safe and correct operating procedure and to lubricate and maintain the product according to the maintenance schedule in the operator's manual.

The user is responsible for inspecting his machine and for having parts repaired or replaced when continued use of the product would cause damage or excessive wear to the other parts.

It is the user's responsibility to deliver his machine to the Yetter dealer who sold him the product for service or replacement of defective parts, which are covered by the warranty policy.

If you are unable to understand or follow the instructions provided in this publication, consult your local Yetter dealer or contact:

YETTER MANUFACTURING CO.

309/776-4111

800/447-5777

309/776-3222 (FAX)

Website: www.yetterco.com

E-mail: info@yetterco.com

WARRANTY

Yetter Manufacturing warrants all products manufactured and sold by it against defects in material. This warranty being expressly limited to replacement at the factory of such parts or products as shall appear to be defective after inspection. This warranty does not obligate the Company to bear cost of labor in replacement of parts. It is the policy of the Company to make improvements without incurring obligations to add them to any unit already sold. No warranty is made or authorized to be made, other than herein set forth. This warranty is in effect for one year after purchase.

Dealer _____

Yetter Manufacturing warrants its own products only and cannot be responsible for damages to equipment on which mounted.

SAFETY

A brief description of signal words that may be used in this manual:

CAUTION: Used as a general reminder of good safety practices or to direct attention to unsafe practices.

WARNING: Denotes a specific potential hazard.

DANGER: Denotes the most serious specific potential hazard.



SAFETY PRECAUTIONS

You can make your farm a safer place to live and work if you observe the safety precautions given. Study these precautions carefully and insist that they be followed by those working with you and for you.

Finally, remember this: an accident is usually caused by someone's carelessness, neglect or oversight.



WARNING

Never clean, lubricate or adjust a machine that is in motion. Always lower or block the implement before performing service.

If machine must be serviced in the raised position, jack or block it up to prevent it from accidentally falling and injuring someone.

Do not allow riders on the tractor or implement.

Use speeds and caution dictated by the terrain being traversed. Do not operate on any slope steep enough to cause tipping or loss of control.

Be sure all personnel are clear of the immediate area before operating.

Read and understand the operator's manual and require all other persons who will operate the equipment to do the same.

Be familiar with all tractor and implement controls and be prepared to stop engine and implements quickly in an emergency.

CAUTION



Consult your implement and tractor operator's manual for correct and safe operating practices.

Beware of towed implement width and allow safe clearance.

FAILURE TO HEED MAY RESULT IN PERSONAL INJURY OR DEATH.

OPERATION PRECAUTIONS

STOP

Read this before using the Yetter product.

- MACHINE OPERATION

IMPORTANT: failure to properly set the planter frame height and levelness can result in less than successful operation of the planter and the Yetter product and may result in damaged equipment. All operators should read and thoroughly understand the instructions given prior to using the Yetter product.

NOTE: **DO NOT** use this product if the planter is not adjusted properly!

Leveling the planter:

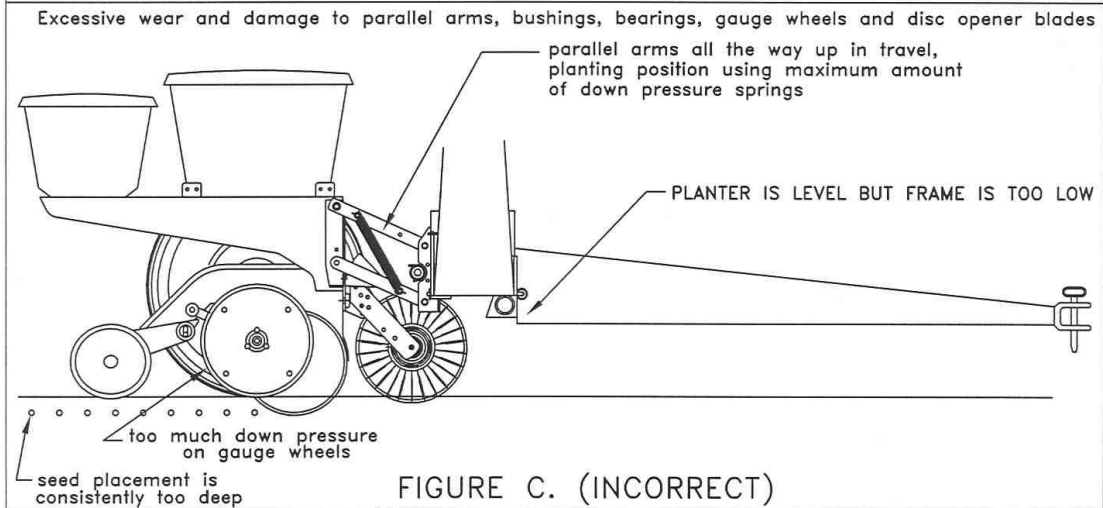
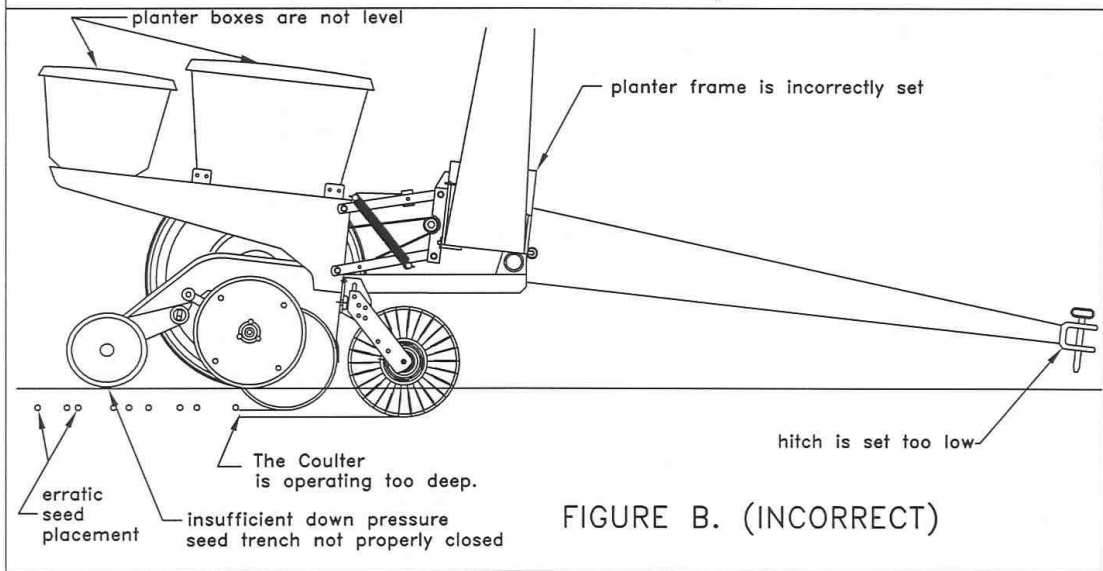
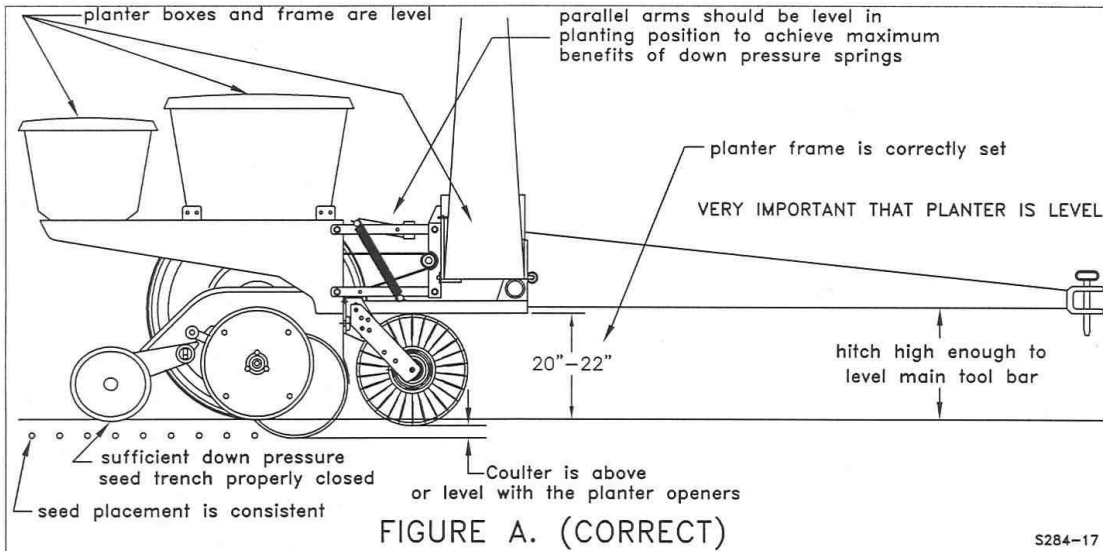
With the planter lowered to proper operating height (**Usually 20"-22"**). **Read the planter operator's manual for recommended setting**. Check to be sure the toolbar and row unit parallel arms are level fore and aft. **Re-check** when the planter is in the **field** and has been **fully loaded** with seed, fertilizer, granular chemicals, etc. Also, a field check with a bubble level on the frame should be made of the hitch height to ensure level operation front to back.

It is important for the planter to operate level laterally. Tire pressure must be maintained at pressures specified by the manufacturer.

Field and actual planting conditions change and will dictate planter frame heights. You must ensure that the row unit parallel arms are approximately parallel with the ground.

IMPORTANT: For proper operation of the planter attachments and row units, it is imperative that the planter toolbars and row unit parallel arms be level side-to-side and front-to-rear. The toolbar frame should operate at a 20"-22" height from the **planting surface**. Check the manufacturer's operator's manual for instructions on how to adjust the frame height and levelness.

PLANTER ADJUSTMENT

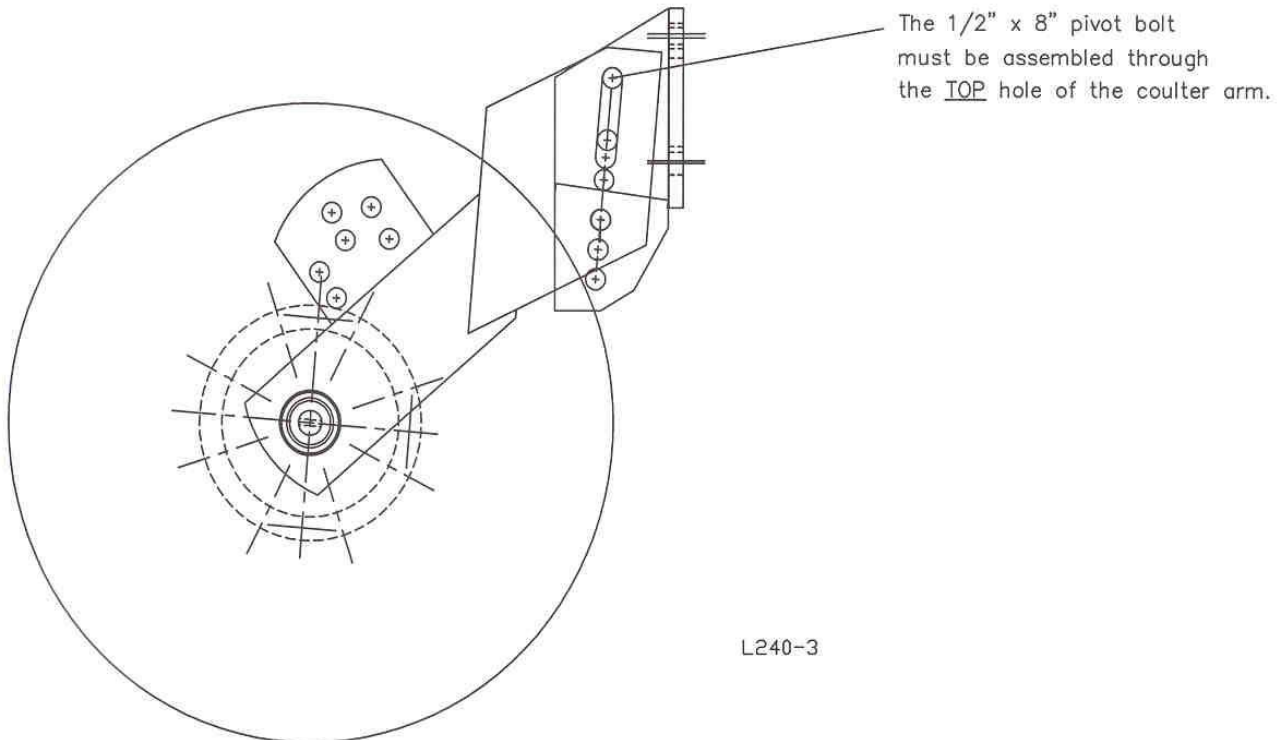


INSTALLATION

1. Remove the upper $\frac{1}{2}$ " x $2\frac{1}{2}$ " bolt which attaches the unit coultter arm to the bracket through the slot. The two flat washers are no longer required. Save the lock nut for later use.

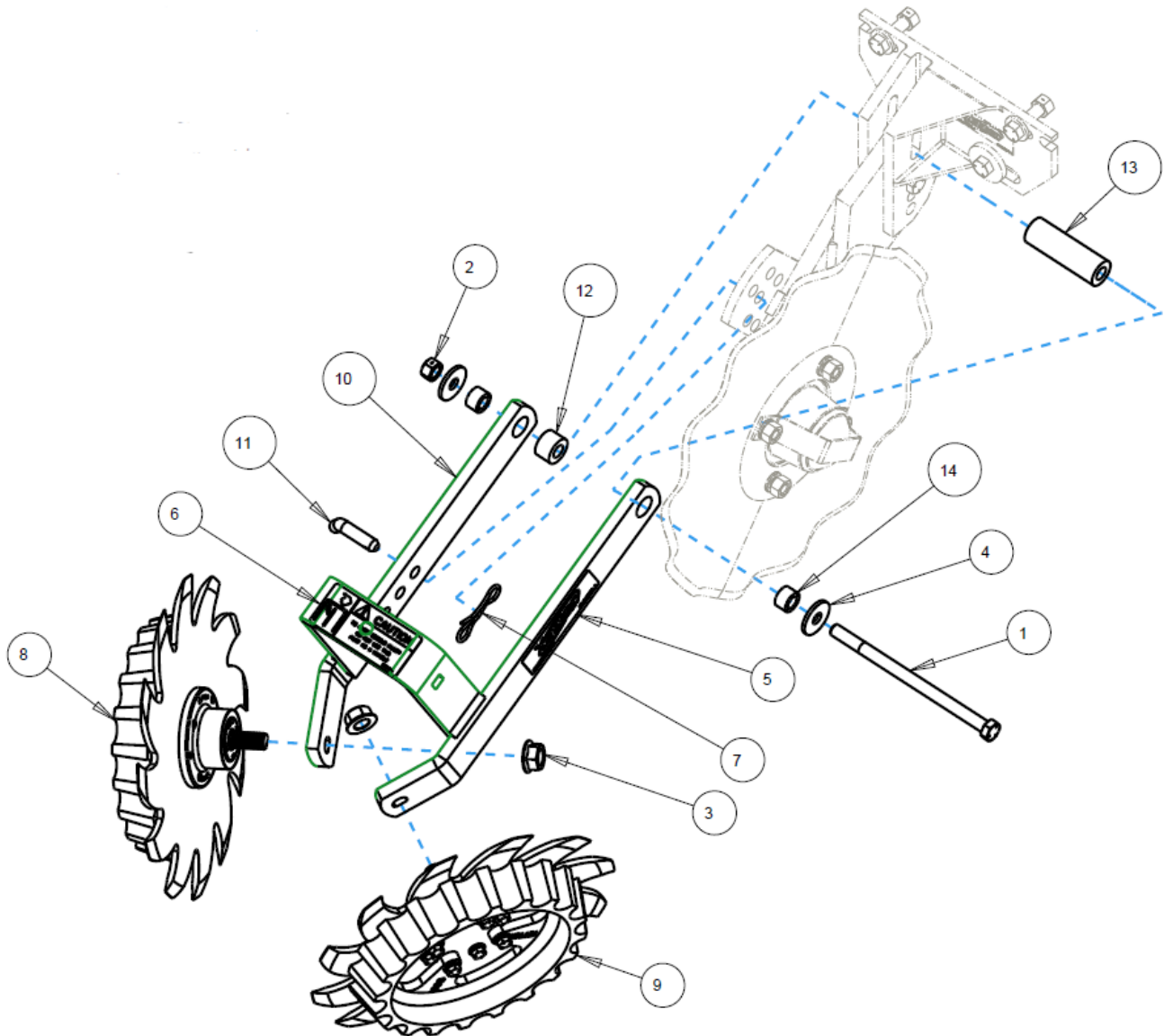
 **CAUTION: DO NOT USE SPACER STRAP ON COMBO ARM W.A. AS A HANDLE, FINGERS MAY BE SERIOUSLY INJURED ON SHARP EDGE OF BLADE. USE $\frac{1}{2}$ " SQ. DRIVE SOCKET TOOLS TO ADJUST THIS PART.**

2. Assemble the combo arm w.a. to the coultter with the $\frac{1}{2}$ " x 8" bolt, long spacer, short spacer and two flat washers supplied. Use the $\frac{1}{2}$ " locknut removed in step 1. Tighten this bolt securely. The $\frac{1}{2}$ " x 8" bolt must be through the **TOP** hole of the coultter arm.
3. Check the alignment of all holes in the combo arm and the adjustment plate with the combo adjustment pin.
4. Attach the spoke wheels to the arm with the hex nuts. Torque to 180 ft. lbs.



PARTS IDENTIFICATION

2967-115A-ST-FW



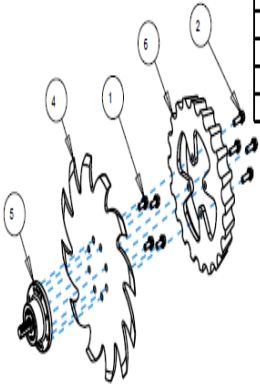
ISO2967-115A-ST-FW-2

| ITEM | PART NO. | DESCRIPTION | QTY |
|------|----------------|---|-----|
| 1 | 2502-369 | 1/2-13 X 8 HHCS GRADE 5 | 1 |
| 2 | 2520-357 | 1/2-13 LOCK NUT GRADE A | 1 |
| 3 | 2520-465 | 5/8-11 FLANGE NUT GRADE 8 | 2 |
| 4 | 2527-340 | 1/2 ID X 1-1/2 OD X 10 GAUGE MACHINE WASHER | 2 |
| 5 | 2565-162 | YETTER DECAL | 2 |
| 6 | 2565-340 | DECAL WARNING NOT A HANDLE | 1 |
| 7 | 2570-448 | BOW TIE COTTER PIN | 1 |
| 8 | 2966-140-ST-FW | RIGHT HAND SHARK TOOTH WHEEL ASSEMBLY | 1 |
| 9 | 2966-141-ST-FW | LEFT HAND SHARK TOOTH WHEEL ASSEMBLY | 1 |
| 10 | 2967-210 | ARM | 1 |
| 11 | 2967-381 | PIN | 1 |
| 12 | 2967-801 | SPACER-SHORT | 1 |
| 13 | 2967-802 | SPACER-LONG | 1 |
| 14 | 2967-803 | BUSHING | 2 |

PARTS IDENTIFICATION

2966-140-ST-FW

| ITEM | PART NO. | DESCRIPTION | QTY |
|------|----------|-----------------------------|-----|
| 1 | 2502-220 | 5/16-18 X 3/4 HHFS GR5 ZP | 4 |
| 2 | 2502-221 | 5/16-18 X 1 HHFS GR5 ZP | 4 |
| 3 | 2515-562 | 13" WHEEL COVER, BLACK | 2 |
| 4 | 2571-286 | SHARKTOOTH WHEEL, 8 BOLT | 1 |
| 5 | 2965-500 | HUB ASSEMBLY, 1.406 SPINDLE | 1 |
| 6 | 2967-560 | FLOATER WHEEL | 1 |

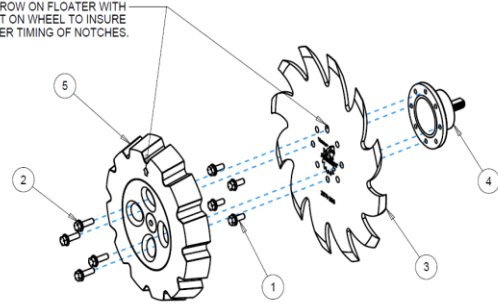


2966-140-ST-PFW

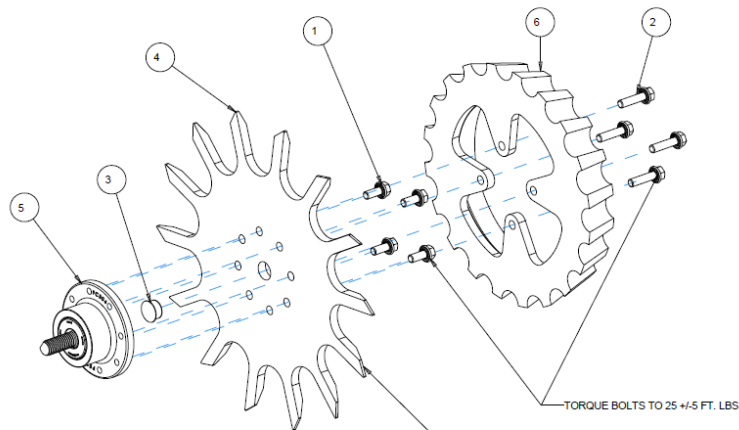
| ITEM | PART NO. | DESCRIPTION | QTY |
|------|----------|--------------------------------|-----|
| 1 | 2502-220 | 5/16-18 X 3/4 HHFS GR5 ZP | 4 |
| 2 | 2502-221 | 5/16-18 X 1 HHFS GR5 ZP | 4 |
| 3 | 2571-286 | SHARKTOOTH WHEEL, 8 BOLT | 1 |
| 4 | 2965-500 | HUB ASSEMBLY, 1.406 SPINDLE | 1 |
| 5 | 2967-560 | SHARKTOOTH TIMED FLOATER WHEEL | 1 |



LINE UP ARROW ON FLOATER WITH SLOT ON WHEEL TO INSURE PROPER TIMING OF NOTCHES.



2966-140-BW-FW



SCALE 0.500

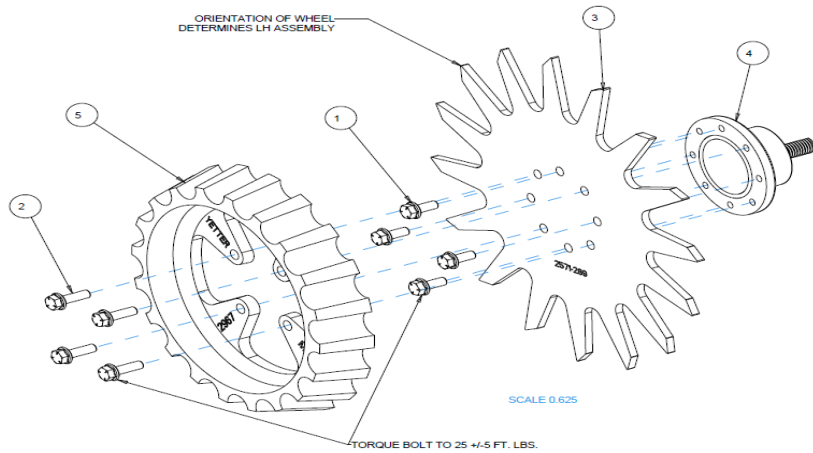
ORIENTATION OF WHEEL DETERMINES RH ASSEMBLY

NOTE: BEVELS AWAY FROM HUB SIDE

| ITEM | PART NO. | DESCRIPTION | QTY |
|------|------------|------------------------------|-----|
| 1 | 2502-220 | 5/16-18 X 3/4 HHFS GR5 ZP | 4 |
| 2 | 2502-222 | 5/16-18 X 1-1/4 HHFS GR5 ZP | 4 |
| 3 | 2570-994 | BEVEL WHEEL CENTER HOLE PLUG | 1 |
| 4 | 2571-287-R | 13" BEVEL WHEEL, 8 BOLT, RH | 1 |
| 5 | 2965-500 | HUB ASSEMBLY, 1.406 SPINDLE | 1 |
| 6 | 2967-560 | FLOATER WHEEL | 1 |

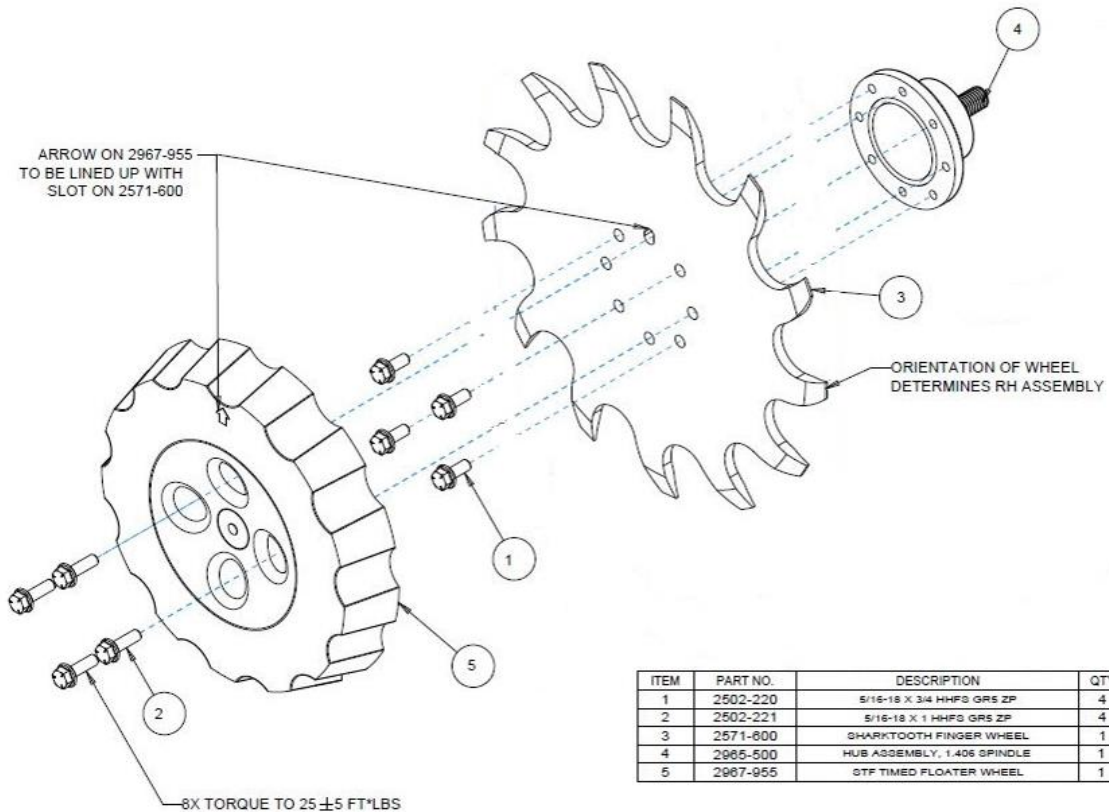
PARTS IDENTIFICATION

2966-141-FW

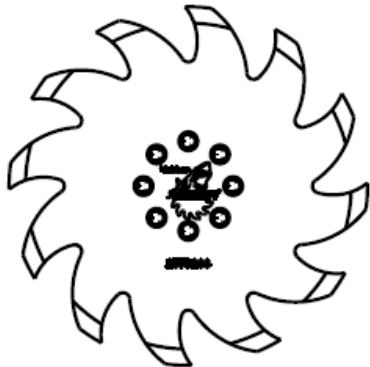


| ITEM | PART NO. | DESCRIPTION | QTY |
|------|----------|-------------------------------------|-----|
| 1 | 2502-220 | 5/16-18 X 3/4 HHFS GR5 ZP | 4 |
| 2 | 2502-221 | 5/16-18 X 1 HHFS GR5 ZP | 4 |
| 3 | 2571-289 | 13" TAPER TOOTH SPOKE WHEEL, 8 BOLT | 1 |
| 4 | 2965-500 | HUB ASSEMBLY, 1.406 SPINDLE | 1 |
| 5 | 2967-560 | FLOATER WHEEL | 1 |

2966-140-STF-FW RIGHT HAND SHARKTOOTH FINGER WHEEL ASSEMBLY



| ITEM | PART NO. | DESCRIPTION | QTY |
|------|----------|-----------------------------|-----|
| 1 | 2502-220 | 5/16-18 X 3/4 HHFS GR5 ZP | 4 |
| 2 | 2502-221 | 5/16-18 X 1 HHFS GR5 ZP | 4 |
| 3 | 2571-600 | SHARKTOOTH FINGER WHEEL | 1 |
| 4 | 2965-500 | HUB ASSEMBLY, 1.406 SPINDLE | 1 |
| 5 | 2967-955 | GTF TIMED FLOATER WHEEL | 1 |



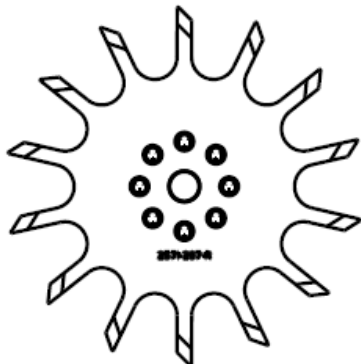
SHARKTOOTH WHEEL ASSEMBLY
 RIGHT HAND 2966-140-ST(SHOWN)
 LEFT HAND 2966-141-ST



SHARKTOOTH WHEEL ASSEMBLY W/FLOATER WHEEL
 RIGHT HAND 2966-140-ST-FW(SHOWN)
 LEFT HAND 2966-141-ST-FW



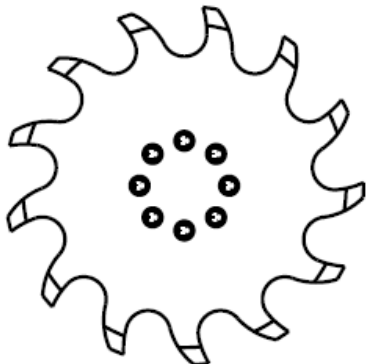
SHARKTOOTH WHEEL ASS'Y W/POLY FLOATER WHEEL
 RIGHT HAND 2966-140-ST-PFW(SHOWN)
 LEFT HAND 2966-141-ST-PFW



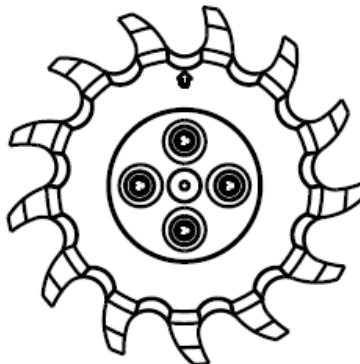
BEVEL WHEEL ASSEMBLY
 RIGHT HAND 2966-140-BW(SHOWN)
 LEFT HAND 2966-141-BW



BEVEL WHEEL ASSEMBLY W/FLOATER WHEEL
 RIGHT HAND 2966-140-BW-FW(SHOWN)
 LEFT HAND 2966-141-BW-FW



SHARKTOOTH FINGER WHEEL ASSEMBLY
 RIGHT HAND 2966-140-STF(SHOWN)
 LEFT HAND 2966-141-STF

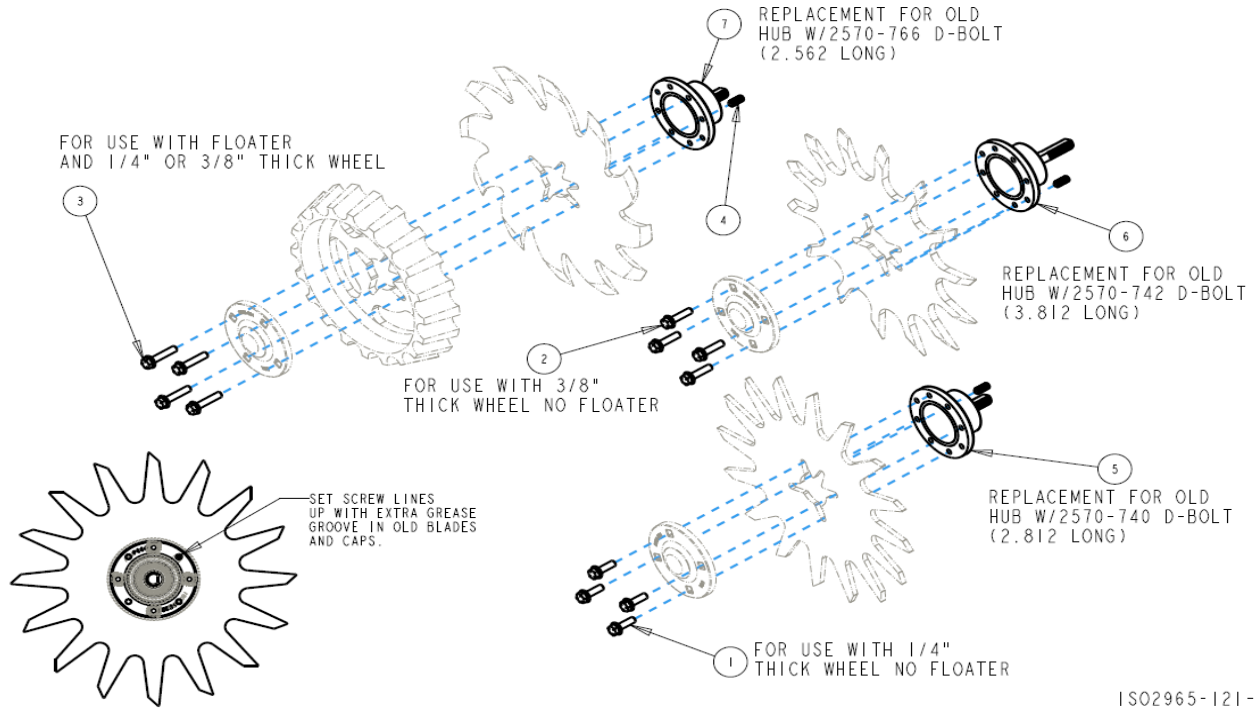


SHARKTOOTH FINGER WHEEL ASSEMBLY W/FLOATER WHEEL
 RIGHT HAND 2966-140-STF-FW(SHOWN)
 LEFT HAND 2966-141-STF-FW

ISO2966-140_ASSEMBLIES

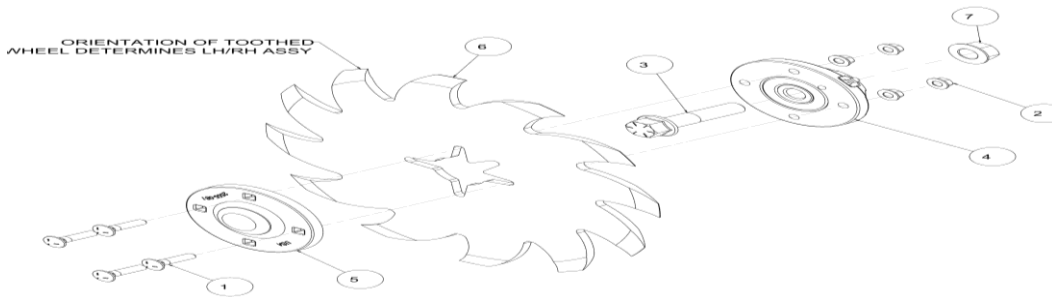
FIELD SERVICE KITS

- 2965-119 - SERVICE KIT FOR 2570-740-2.812 D-BOLT
- 2965-120 - SERVICE KIT FOR 2570-742-3.812 D-BOLT
- 2965-121 - SERVICE KIT FOR 2570-766-2.562 D-BOLT



ISO2965-121-2

| ITEM | PART NO | DESCRIPTION | QTY |
|------|----------|------------------------------|-----|
| 1 | 2502-221 | 5/16-18 X 1 HHFS GRADE 5 | 4 |
| 2 | 2502-222 | 5/16-18 X 1-1/4 HHFS GRADE 5 | 4 |
| 3 | 2502-225 | 5/16-18 X 1-1/2 HHFS GRADE 5 | 4 |
| 4 | 2940-560 | SET SCREW | 1 |
| 5 | 2965-500 | HUB ASSEMBLY 1.406 SPINDLE | 1 |
| 6 | 2965-501 | HUB ASSEMBLY 2.406 SPINDLE | 1 |
| 7 | 2965-502 | HUB ASSEMBLY 1.157 SPINDLE | 1 |



| ITEM | PART NO | DESCRIPTION | QTY |
|------|----------|--|-----|
| 1 | 2505-207 | 5/16-18 X 1-1/4 CARRIAGE HEAD BOLT GRADE 5 | 4 |
| 2 | 2520-206 | 5/16-18 FLANGE LOCK NUT | 4 |
| 3 | 2570-740 | D-BOLT FLANGE HEAD 5/8-11 X 2.812 GRADE 8 | 1 |
| 4 | 2965-128 | HUB/BEARING ASSEMBLY | 1 |
| | 2550-069 | SEAL | 1 |
| | 2570-594 | BEARING | 1 |
| | 2570-715 | INSERT | 1 |
| | 2965-351 | HUB | 1 |
| | 2533-110 | GREASE FITTING | 1 |
| 5 | 2965-352 | HUB CAP | 1 |
| 6 | 2967-602 | SHARK TOOTH WHEEL | 1 |
| 7 | 2520-465 | 5/8-11 FLANGE LOCK NUT GRADE 8 | 1 |



A Tradition of Solutions since 1930

Yetter Farm Equipment Co

PO BOX 358 109 S. McDonough

Colchester, IL 62326-0358

Phone: 309-776-4111

Toll Free: 800-447-5777

Email: info@yetterco.com

For updated models and manuals visit the Yetter website:

www.yetterco.com

© Yetter Farm Equipment Co. All Rights Reserved

2565-327_REV_G • 08/2023

