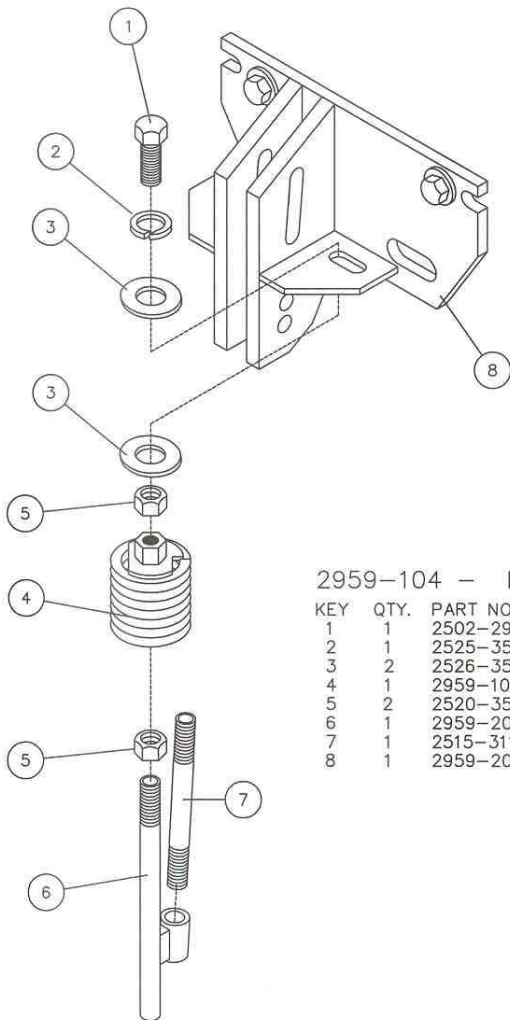




**2959-104**  
**2959 SPRING MOUNT INJ. ADD ON KIT**



1690

2959-104 — FACEPLATE MOUNTED SPRING INJECTOR KIT

KEY	QTY.	PART NO.	DESCRIPTION
1	1	2502-294	1/2-13 X 1 1/2 HHCS GR. 5 ZP
2	1	2525-352	1/2 MED. LOCKWASHER ZP
3	2	2526-355	1/2 FLAT WASHER HARD'ND ZYD
4	1	2959-105	INJECTOR SPRING ASSEMBLY (6 1/2 COILS)
5	2	2520-356	1/2-13 JAM HEX NUT ZP
6	1	2959-204	INJECTOR ROD W.A., 10"
7	1	2515-311	3" NIPPLE, 1/4 NPT STAINLESS STL
8	1	2959-203	FERT. COULTER FACEPLATE W.A.(NOT INCLUDED IN 2959-104)

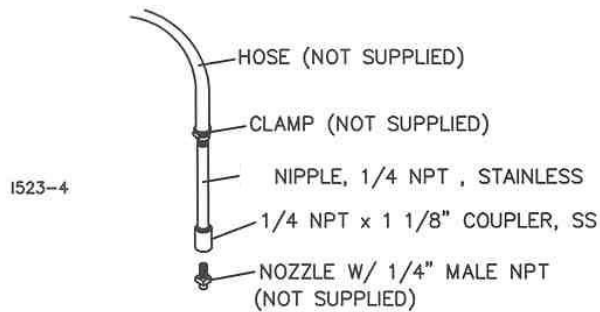
**YETTER MANUFACTURING CO.**  
**FOUNDED 1930**

Colchester, IL 62326-0358  
 Toll free: 800/447-5777  
 309/776-3222 (Fax)  
 Website: [www.yetterco.com](http://www.yetterco.com)  
 E-mail: [info@yetterco.com](mailto:info@yetterco.com)

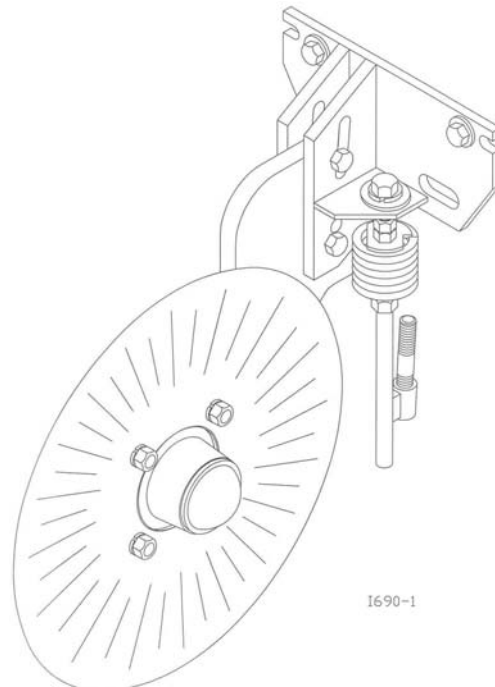
**YETTER**

# ASSEMBLY INSTRUCTIONS

1. If previously installed remove the injection tube holder (2959-200) from coulter arm. These parts will not be reused.
2. Assemble the stainless steel pipe nipple (#7) to the injector rod w.a. (#6).  
NOTE: A female hose barb (not supplied) will be required. Also a straight stream nozzle 1/4 NPT male thread will be required (not supplied). Some operators also install a check valve inline so that fertilizer is not wasted. At the pipe coupler install the appropriate nozzle (not supplied) according to the liquid fertilizer application rate. Nozzles can be ordered through your nearest implement dealer or fertilizer equipment dealer. See the tip application chart in this manual.



3. Thread a 1/2" hex jam nut onto the injector rod w.a. with at least 3/4" threads showing then thread the injector spring assembly (#4) onto the injector rod. Now jam lock the injector rod to the spring assembly mount using the 1/2" jam hex nut.
4. Install the injector rod assembly to the face plate mount using a 1/2" x 1-1/2" bolt, 1/2" lockwasher, two 1/2" flat washers and jam nut (#5).  
NOTE: The injector rod assembly is to be installed so that the stream nozzle is on the trailing or rear side of the injector rod.
5. Tighten all hardware securely. Inspect after four hours of field operation, tightening any loose hardware.



# LIQUID FERTILIZER APPLICATION RATE AND PRESSURE CHART

TABLES ARE BASED ON 30" NOZZLE SPACING

TIP #	LIQUID PRESSURE IN PSI	CAPACITY 1 NOZZLE IN GPM	GALLONS PER ACRE (USING WATER)					
			4 MPH H2O	5 MPH H2O	5.5 MPH H2O	6 MPH H2O	7 MPH H2O	8 MPH H2O
#00015	20	0.11	5.45	4.36	3.96	3.63	3.11	2.72
	25	0.12	5.94	4.75	4.32	3.96	3.39	2.97
	30	0.13	6.44	5.15	4.68	4.29	3.68	3.22
	40	0.15	7.43	5.94	5.40	4.95	4.24	3.71
	50	0.17	8.42	6.73	6.12	5.61	4.81	4.21
	60	0.18	8.91	7.13	6.48	5.94	5.09	4.46
#0002	20	0.14	6.93	5.54	5.04	4.62	3.96	3.47
	25	0.16	7.92	6.34	5.76	5.28	4.53	3.96
	30	0.17	8.42	6.73	6.12	5.61	4.81	4.21
	40	0.20	9.90	7.92	7.20	6.60	5.66	4.95
	50	0.23	11.39	9.11	8.28	7.59	6.51	5.69
	60	0.25	12.38	9.90	9.00	8.25	7.07	6.19
#0003	20	0.21	10.40	8.32	7.56	6.93	5.94	5.20
	25	0.24	11.88	9.50	8.64	7.92	6.79	5.94
	30	0.26	12.87	10.30	9.36	8.58	7.35	6.44
	40	0.30	14.85	11.88	10.80	9.90	8.49	7.43
	50	0.34	16.83	13.46	12.24	11.22	9.62	8.42
	60	0.37	18.32	14.65	13.32	12.21	10.47	9.16
#0004	20	0.28	13.86	11.09	10.08	9.24	7.92	6.93
	25	0.32	15.84	12.67	11.52	10.56	9.05	7.92
	30	0.35	17.33	13.86	12.60	11.55	9.90	8.66
	40	0.40	19.80	15.84	14.40	13.20	11.31	9.90
	50	0.45	22.28	17.82	16.20	14.85	12.73	11.14
	60	0.49	24.26	19.40	17.64	16.17	13.86	12.13
#0005	20	0.35	17.33	13.86	12.60	11.55	9.90	8.66
	25	0.40	19.80	15.84	14.40	13.20	11.31	9.90
	30	0.43	21.29	17.03	15.48	14.19	12.18	10.64
	40	0.50	24.75	19.80	18.00	16.50	14.14	12.39
	50	0.56	27.72	22.18	20.16	18.48	15.84	13.86
	60	0.61	30.20	24.16	21.96	20.13	17.25	15.10
#0006	20	0.42	20.79	16.63	15.12	13.86	11.88	10.40
	25	0.47	23.27	18.61	16.92	15.51	13.29	11.63
	30	0.52	25.74	20.59	18.72	17.16	14.71	12.87
	40	0.60	29.70	23.76	21.60	19.80	16.97	14.85
	50	0.67	33.17	26.53	24.12	22.11	18.95	16.58
	60	0.74	36.63	29.30	26.64	24.42	20.93	18.32
#0008	20	0.57	28.22	22.57	20.52	18.81	16.12	14.11
	25	0.63	31.19	24.95	22.68	20.79	17.82	15.59
	30	0.69	34.16	27.32	24.84	22.77	19.52	17.08
	40	0.80	39.60	31.68	28.80	26.40	22.63	19.80
	50	0.89	44.06	35.24	32.04	29.37	25.17	22.03
	60	0.98	48.51	38.81	35.28	32.34	27.72	24.26
#0010	20	0.71	35.15	28.12	25.56	23.43	20.08	17.57
	25	0.79	39.11	31.28	28.44	26.07	22.35	19.55
	30	0.87	43.07	34.45	31.32	28.71	24.61	21.53
	40	1.00	49.50	39.60	36.00	33.00	28.29	24.75
	50	1.12	55.44	44.35	40.32	36.96	31.68	27.72
	60	1.23	60.89	48.71	44.28	40.59	34.79	30.44
#0015	20	1.06	52.47	41.98	38.16	34.98	29.98	26.24
	25	1.19	58.91	47.12	42.84	39.27	33.66	29.45
	30	1.30	64.35	51.48	46.80	42.90	36.77	32.18
	40	1.50	74.25	59.40	54.00	49.50	42.43	37.13
	50	1.68	83.16	66.53	60.48	55.44	47.52	41.58
	60	1.81	89.60	71.68	65.16	59.73	51.20	44.80
ROW SPACING MULTIPLIER		10" X 3.3	15" X 2.0	18" X 1.66	20" X 1.5	36" X .83	38" X .79	40" X .75

$$\text{GPA (Per Nozzle)} = \frac{5940 \times \text{GPM}}{\text{MPH} \times \text{W}}$$

H<sub>2</sub>O = WATER  
 SOLUTION FACTOR  
 28% = H<sub>2</sub>O/1.13  
 32% = H<sub>2</sub>O/1.15  
 GPA = GALLON PER ACRE  
 GPM = GALLON PER MINUTES  
 MPH = MILES PER HOUR  
 W = WIDTH

This table is a reference only. Please calibrate your equipment to insure proper rate of application. The information contained in this issue is offered in good faith by Yetter Mfg. Co. to further the understanding of liquid fertilizer application.

However, the use of the information provided is beyond the control of Yetter Mfg. Co. and in no case shall Yetter Mfg. Co. or any seller of its products be responsible for any damages that may occur from the use of this information.