



2910 FRAME MOUNTED COULTER

OPERATOR'S MANUAL PART IDENTIFICATION



YETTER MANUFACTURING CO.
FOUNDED 1930

Colchester, IL 62326-0358
Toll free: 800/447-5777
309/776-3222 (Fax)
Website: www.yetterco.com
E-mail: info@yetterco.com

YETTER

FOREWORD

You've just joined an exclusive but rapidly growing club.

For our part, we want to welcome you to the group and thank you for buying a Yetter product.

We hope your new Yetter products will help you achieve both goals-increase your productivity and increase your efficiency so that you may generate more profit.

This operator's manual has been designed into four major sections: Foreword, Safety Precautions, Installation Instructions and Parts Breakdown.



This **SAFETY ALERT SYMBOL** indicates important safety messages in the manual. When you see this symbol, be alert to the possibility of **PERSONAL INJURY** and carefully read the message that follows.

The word **NOTE** is used to convey information that is out of context with the manual text. It contains special information such as specifications, techniques and reference information of a supplementary nature.

The word **IMPORTANT** is used in the text when immediate damage will occur to the machine due

to improper technique or operation. Important will apply to the same information as specified by note only of an immediate and urgent nature.

It is the responsibility of the user to read the operator's manual and comply with the safe and correct operating procedure and to lubricate and maintain the product according to the maintenance schedule in the operator's manual.

The user is responsible for inspecting his machine and for having parts repaired or replaced when continued use of the product would cause damage or excessive wear to the other parts.

It is the user's responsibility to deliver his machine to the Yetter dealer who sold him the product for service or replacement of defective parts, which are covered by the warranty policy.

If you are unable to understand or follow the instructions provided in this publication, consult your local Yetter dealer or contact:

YETTER MANUFACTURING CO.

309/776-4111

800/447-5777

309/776-3222 (FAX)

Website: www.yetterco.com

E-mail: info@yetterco.com

WARRANTY

Yetter Manufacturing warrants all products manufactured and sold by it against defects in material. This warranty being expressly limited to replacement at the factory of such parts or products as shall appear to be defective after inspection. This warranty does not obligate the Company to bear cost of labor in replacement of parts. It is the policy of the Company to make improvements without incurring obligations to add them to any unit already sold. No warranty is made or authorized to be made, other than herein set forth. This warranty is in effect for one year after purchase.

DEALER: _____

Yetter Manufacturing warrants its own products only and cannot be responsible for damages to equipment on which mounted.

SAFETY

A brief description of signal words that may be used in this manual:

CAUTION: Used as a general reminder of good safety practices or to direct attention to unsafe practices.

WARNING: Denotes a specific potential hazard.

DANGER: Denotes the most serious specific potential hazard.

SAFETY PRECAUTIONS

You can make your farm a safer place to live and work if you observe the safety precautions given. Study these precautions carefully and insist that those working with you and for you follow them.

Finally, remember this: an accident is usually caused by someone's carelessness, neglect or oversight.



WARNING

Never clean, lubricate or adjust a machine that is in motion. Always lower or block the implement before performing service.

If the machine must be serviced in the raised position, jack or block it up to prevent it from accidentally falling and injuring someone.

Do not allow riders on the tractor or implement.

Use speeds and caution dictated by the terrain being traversed. Do not operate on any slope steep enough to cause tipping or loss of control.

Be sure all personnel are clear of the immediate area before operating.

Read and understand the operator's manual and require all other persons who will operate the equipment to do the same.

Be familiar with all tractor and implement controls and be prepared to stop engine and implements quickly in an emergency.



CAUTION

Consult your implement and tractor operator's manual for correct and safe operating practices.

Beware of towed implement width and allow safe clearance.

FAILURE TO HEED MAY RESULT IN PERSONAL INJURY OR DEATH.

BOLT TORQUE

Mounting bolts and hardware

Before operating the 2910 Frame Mounted Coultter for the first time, check to be sure that all hardware is tight. Check all hardware again after approximately 50 hours of operation and at the beginning of each planting season.

All hardware used on the 2910 Frame Mounted Coultter is Grade 5 unless otherwise noted. Grade 5 cap screws are marked with three radial lines on the head. If hardware must be replaced, be sure to replace it with hardware of equal size, strength and thread type. Refer to the torque values chart when tightening hardware.



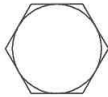


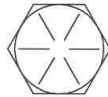
Important: Over tightening hardware can cause as much damage as when under tightening. Tightening hardware beyond the recommended range can reduce its shock load capacity.

The chart below is a guide for proper torque. Use it unless a specified torque is called out elsewhere in the manual.

Torque is the force you apply to the wrench handle or the cheater bar, times the length of the handle or bar.

Use a torque wrench whenever possible.

The following table shows torque in ft. lbs. for coarse thread hardware.

BOLT DIA. AND THREADS PER INCH	 GRADE 2	 GRADE 5	OR  A-325	 GRADE 8
3/8-16	25		35	50
7/16-14	35		55	80
1/2-13	55		85	125
9/16-12	75		125	175
5/8-11	105		170	235
3/4-10	185		305	425
7/8-9	170		445	690
1-8	260		670	1030
1 1/8-7	365		900	1460
1 1/4-7	515		1275	2060
1 3/8-6	675		1675	2700
1 1/2-6	900		2150	3500
1 3/4-5	1410		3500	5600

Lubricate all bearings and moving parts as assembled and make certain that they work freely.



WARNING: Never work around the toolbar/implement while in a raised position without using safety lockups.



CAUTION: The 2910 Frame Mounted Coultter attachment is very heavy. Pay extra attention to lifting techniques while handling and or maneuvering the opener during assembly. Failure to do so may lead to personal injury.

OPERATION PRECAUTIONS

STOP

Read this before using the Yetter product.

- MACHINE OPERATION

IMPORTANT: failure to properly set the planter frame height and levelness can result in less than successful operation of the planter and the Yetter product and may result in damaged equipment. All operators should read and thoroughly understand the instructions given prior to using the Yetter product.

NOTE: **DO NOT** use this product if the planter is not adjusted properly!

Leveling the planter:

With the planter lowered to proper operating height (**Usually 20"-22"**).

Read the planter operator's manual for recommended setting. Check to be sure the toolbar and row unit parallel arms are level fore and aft. **Re-check** when the planter is in the **field** and has been **fully loaded** with seed, fertilizer, granular chemicals, etc. Also, a field check with a bubble level on the frame should be made of the hitch height to ensure level operation front to back.

It is important for the planter to operate level laterally. Tire pressure must be maintained at pressures specified by the manufacturer.

Field and actual planting conditions change and will dictate planter frame heights. You must ensure that the row unit parallel arms are approximately parallel with the ground.

IMPORTANT: For proper operation of the planter attachments and row units, it is imperative that the planter toolbars and row unit parallel arms be level side-to-side and front-to-rear. The toolbar frame should operate at a 20"-22" height from the **planting surface**. Check the manufacturer's operator's manual for instructions on how to adjust the frame height and levelness.

OPERATION

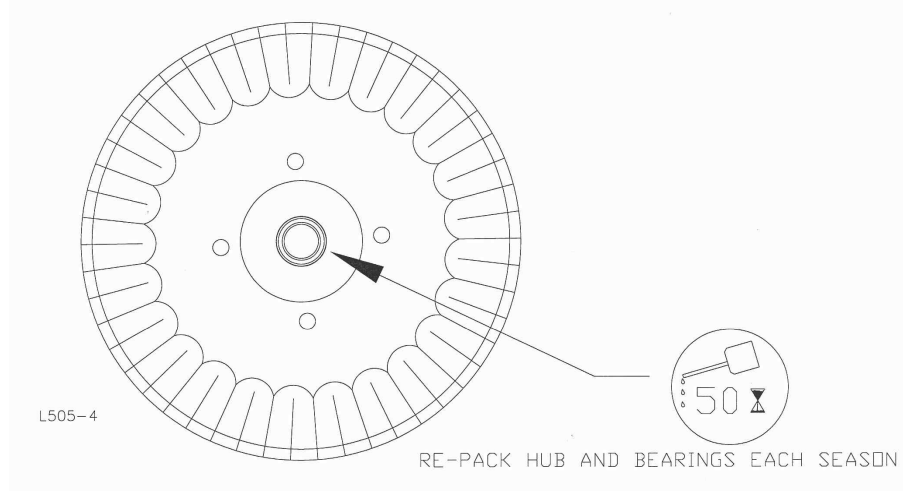
IMPORTANT: For proper operation, the planter frame must operate level and at the correct height, usually 20” – 22” while in operation.

In hard no-till conditions the desired operating depth may not be possible. Tighten spring nut to maintain depth if spring is flexing rather than lower coulter to obtain maximum depth. Planter weight may limit operating depth in hard conditions, particularly with mounted or semi-mounted planters. Be sure planter has enough weight to keep drive wheels on the ground during operation or plant populations can be drastically affected.

1. Set/mount coulter blades to run perpendicular to the soil. Operation depth and blade wear can be affected if the coulter is mounted crooked or if the toolbar is not level side to side.
2. After a few hours of use, check all bolts for tightness and proper torque.
3. After a day of use (10-12 hours) check coulter hubs for loose bearings. There should be no endplay in the hub bearings allowing the blade to wobble. If necessary, remove hubcap and cotter pin and adjust the slotted nut to remove wobble, recommended torque of 15 ft. lbs. and re-insert cotter pin. If the wobble or looseness cannot be corrected, the bearings, cups and seals will need to be replaced.
DO NOT USE WORN OR DAMAGED PARTS.

MAINTENANCE

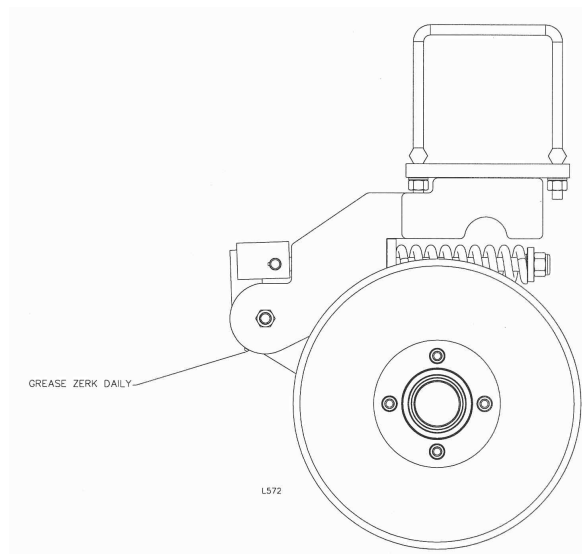
LUBRICATION: USE #2 MULTI-PURPOSE BEARING GREASE



To ensure longevity and reliability of the U.N.T.™ Coultter, the recommended lubrication schedule should be followed using multi-purpose grease at hourly intervals as indicated.

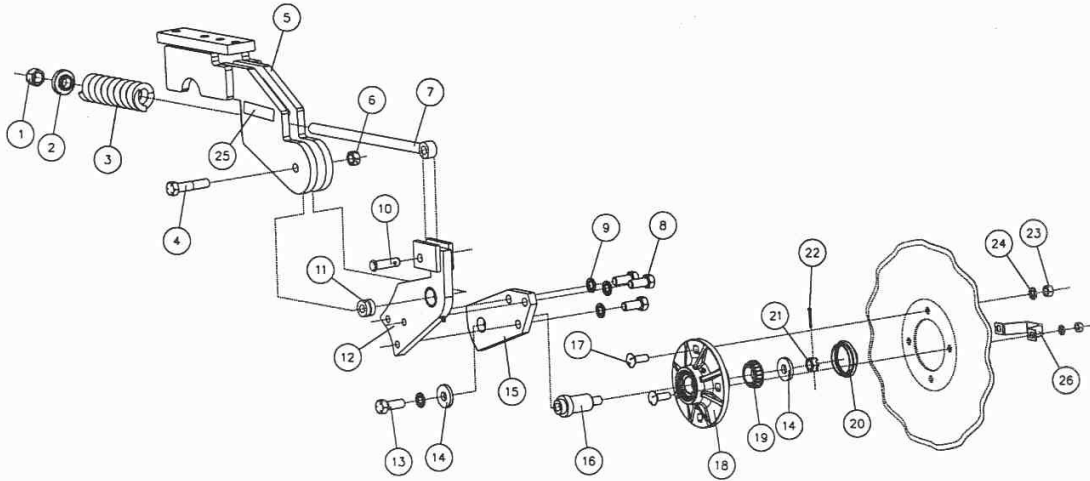
BEARING ADJUSTMENT:

1. Raise the toolbar until the blade is clear of the ground. Place a safety stand under the toolbar. Remove the hubcap, cotter pin, slotted nut and washer from the hub assembly. Remove the blade from the hub assembly.
2. Remove bearing cones and seals from hub.
3. Wash the old grease from the hub, bearing cups, spindle spacers, seals and bearing cones. Inspect the condition of the bearing cups, cones and seals. Replace if necessary.
4. Apply #2 multi-purpose lithium grease on each bearing. Make sure the space around each roller is filled. Lubricate the bearing cups.
5. Position the bearing in the cup and install the seal. Lubricate the seal lips and proceed with re-assembly of the removed parts including the blade. Blade bolt torque is 90 to 96 ft. lbs.
6. Tighten the slotted nut to 15 ft. lbs. or until a definite drag is felt when the blade is turned by hand. Tighten the nut one slot position to line up the cotter pin hole with a slot. Secure the nut with a new cotter pin, replace hubcap.



PARTS IDENTIFICATION

2910-040 FRAME MOUNTED COULTER ASSEMBLY



1764

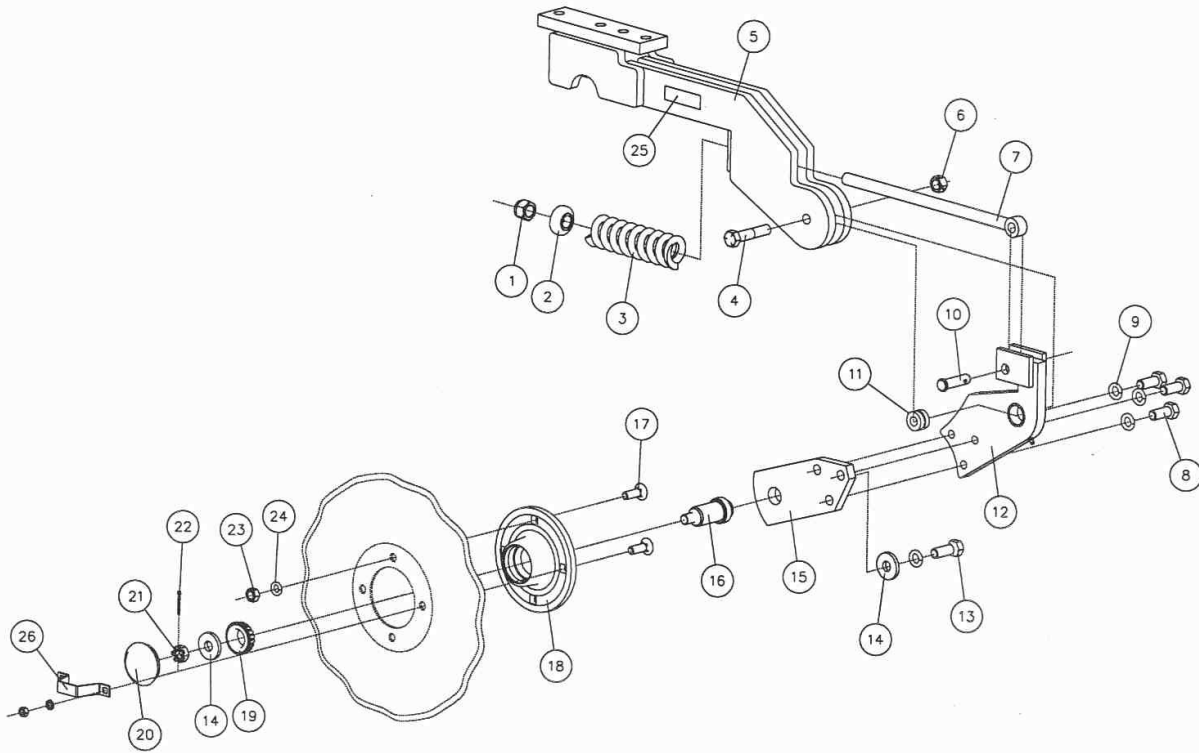
DET	QTY	PART NO.	DESCRIPTION
1	1	2520-516	3/4-10 NYLON INSERT LOCKNUT ZP
2	1	2555-112	2910 SPRING BUSHING
3	1	2550-708	7/16 WIRE 2-1/8X1-1/4DX7-1/4C
4	1	2502-325	5/8-11 X 3 HHCS GR 5 ZP
5	1	2910-212	MOUNT W.A.
6	1	2520-459	5/8-11 LOCK HEX NUT ZP
7	1	2987-305	SPRING ROD, 15", ZYD
8	3	2502-319	5/8-11 X 1 1/2 HHCS GR.5 ZP.
9	4	2525-451	5/8 MED LOCKWASHER ZP
10	1	2570-764	5/8 X 1-3/4 SLIC PIN ZYD.
11	1	2910-331	PIVOT BUSHING
12	1	2910-209	ARM W.A.
13	1	2502-340	5/8-18 X 1 3/4 HHCS GR.5 ZP.
14	2	2526-449	5/8 FLATWASHER, 1/4 +- .010 THK
15	1	2910-330	HUB MOUNT, DRILLED
16	1	2570-760	COULTER SPINDLE, 2995/2996
17	4	2505-339	1/2-13 X 1-1/2 CAR BLT GR 5 ZP
18	1	2900-102	HUB SUB-ASSEMBLY
19	1	2550-027	CONE, LM67048
20	1	2570-375	HUB CAP, WILTON #909902
21	1	2520-469	5/8-18 SLOTTED HEX NUT, BLACK
22	1	2531-102	1/8 X 1-1/4 COTTER PIN BLACK
23	4	2520-352	1/2-13 HEX NUT ZP
24	4	2525-352	1/2 MED LOCKWASHER ZP
25	2	2565-162	YETTER DECAL, 1-1/2 X 4-1/2
26	1	2987-301	HUB CAP RETAINER

REVISED 02/06/09

MANUFACTURED 06-01-06 TO 06-01-2010

PARTS IDENTIFICATION

2910-041 FRAME MOUNTED COULTER ASSEMBLY, CNH



1764

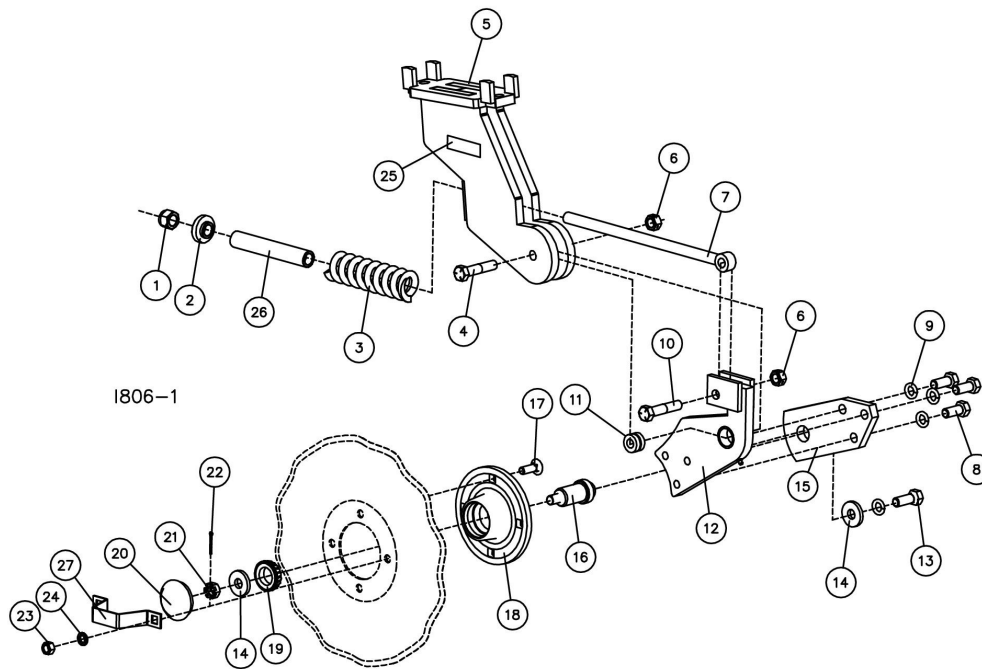
DET	QTY	PART NO.	DESCRIPTION
1	1	2520-516	3/4-10 NYLON INSERT LOCKNUT ZP
2	1	2555-112	2910 SPRING BUSHING
3	1	2550-708	7/16 WIRE 2-1/8X1-1/4IDX7-1/4C
4	1	2502-325	5/8-11 X 3 HHCS GR 5 ZP
5	1	2910-210	MOUNT W.A., CNH
6	1	2520-459	5/8-11 LOCK HEX NUT ZP
7	1	2987-305	SPRING ROD, 15", ZYD
8	3	2502-319	5/8-11 X 1 1/2 HHCS GR.5 ZP.
9	4	2525-451	5/8 MED LOCKWASHER ZP
10	1	2570-764	5/8 X 1-3/4 SUC PIN ZYD.
11	1	2910-331	PIVOT BUSHING
12	1	2910-209	ARM W.A.
13	1	2502-340	5/8-18 X 1 3/4 HHCS GR.5 ZP.
14	2	2526-449	5/8 FLATWASHER, 1/4 +- .010 THK
15	1	2910-330	HUB MOUNT, DRILLED
16	1	2570-760	COULTER SPINDLE, 2995/2996
17	4	2505-339	1/2-13 X 1-1/2 CAR BLT GR 5 ZP
18	1	2900-102	HUB SUB-ASSEMBLY
19	1	2550-027	CONE, LM67048
20	1	2570-375	HUB CAP, WILTON #909902
21	1	2520-469	5/8-18 SLOTTED HEX NUT, BLACK
22	1	2531-102	1/8 X 1-1/4 COTTER PIN BLACK
23	4	2520-352	1/2-13 HEX NUT ZP
24	4	2525-352	1/2 MED LOCKWASHER ZP
25	2	2565-162	YETTER DECAL, 1-1/2 X 4-1/2
26	1	2987-301	HUB CAP RETAINER

REVISED 02/06/09

MANUFACTURED 06-01-06 TO 06-01-2010

PARTS IDENTIFICATION

2910-042 FRAME – MOUNT COULTER, SHORT



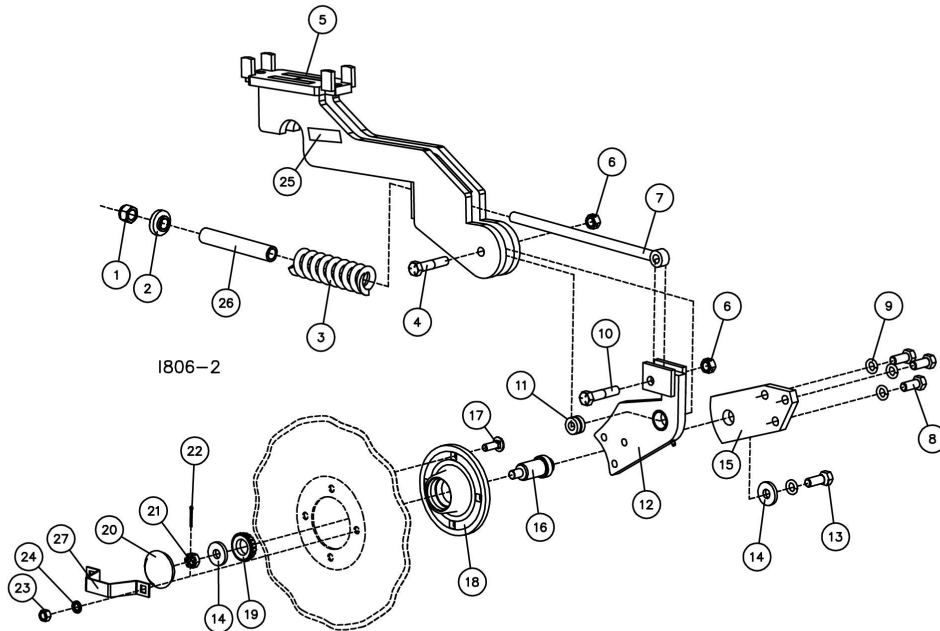
2910-042 – FRAME-MOUNT COULTER, SHORT

DET	QTY	PART NO.	DESCRIPTION
1	1	2520-516	3/4-10 NYLON INSERT LOCKNUT ZP
2	1	2555-112	2910 SPRING BUSHING
3	1	2550-708	7/16 WIRE 2-1/8X1-1/4IDX7-1/4C
4	1	2502-325	5/8-11 X 3 HHCS GR 5 ZP
5	1	2910-214	MOUNT W.A., SHORT
6	2	2520-459	5/8-11 LOCK HEX NUT ZP
7	1	2987-305	SPRING ROD, 15", ZYD
8	3	2502-319	5/8-11 X 1 1/2 HHCS GR.5 ZP.
9	4	2525-451	5/8 MED LOCKWASHER ZP
10	1	2502-332	5/8-11 X 2-1/4 HHCS GR 5 ZYD.
11	1	2910-331	PIVOT BUSHING
12	1	2910-209	ARM W.A.
13	1	2502-340	5/8-18 X 1 3/4 HHCS GR.5 ZP.
14	2	2526-449	5/8 FLATWASHER, 1/4 +- .010 THK
15	1	2910-330	HUB MOUNT, DRILLED
16	1	2570-760	COULTER SPINDLE, 2995/2996
17	4	2505-339	1/2-13 X 1-1/2 CAR BLT GR 5 ZP
18	1	2900-102	HUB SUB-ASSEMBLY
19	1	2550-027	CONE, LM67048
20	1	2570-375	HUB CAP, WILTON #909902
21	1	2520-469	5/8-18 SLOTTED HEX NUT, BLACK
22	1	2531-102	1/8 X 1-1/4 COTTER PIN BLACK
23	4	2520-352	1/2-13 HEX NUT ZP
24	4	2525-352	1/2 MED LOCKWASHER ZP
25	2	2565-162	YETTER DECAL, 1-1/2 X 4-1/2
26	1	2550-777	POLY HELPER SPRING, 6-11/16"
27	1	2987-301	HUB CAP RETAINER

MANUFACTURED 7-2010 TO PRESENT

PARTS IDENTIFICATION

2910-043 FRAME – MOUNT COULTER, LONG



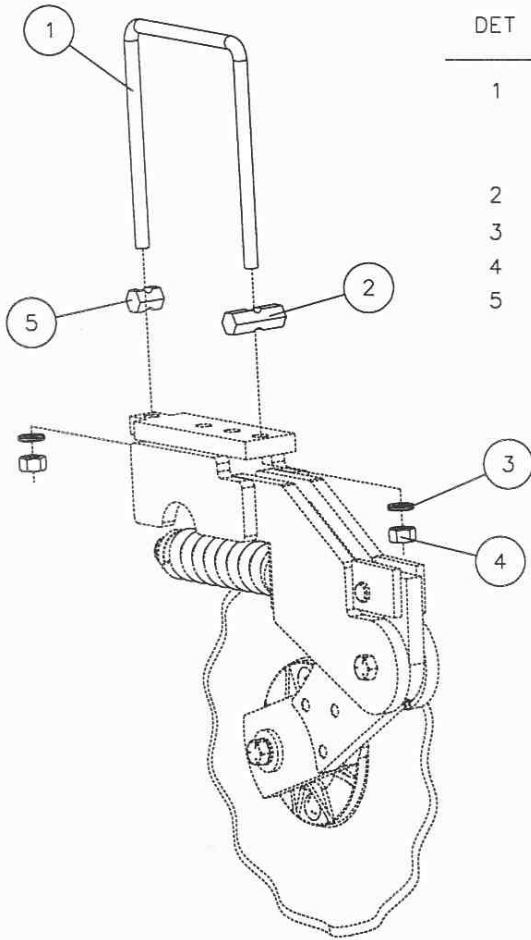
2910-043 – FRAME-MOUNT COULTER, LONG

DET	QTY	PART NO.	DESCRIPTION
1	1	2520-516	3/4-10 NYLON INSERT LOCKNUT ZP
2	1	2555-112	2910 SPRING BUSHING
3	1	2550-708	7/16 WIRE 2-1/8X1-1/4IDX7-1/4C
4	1	2502-325	5/8-11 X 3 HHCS GR 5 ZP
5	1	2910-215	MOUNT W.A., LONG
6	2	2520-459	5/8-11 LOCK HEX NUT ZP
7	1	2987-305	SPRING ROD, 15", ZYD
8	3	2502-319	5/8-11 X 1 1/2 HHCS GR.5 ZP.
9	4	2525-451	5/8 MED LOCKWASHER ZP
10	1	2502-332	5/8-11 X 2-1/4 HHCS GR 5 ZYD.
11	1	2910-331	PIVOT BUSHING
12	1	2910-209	ARM W.A.
13	1	2502-340	5/8-18 X 1 3/4 HHCS GR.5 ZP.
14	2	2526-449	5/8 FLATWASHER, 1/4 +- .010 THK
15	1	2910-330	HUB MOUNT, DRILLED
16	1	2570-760	COULTER SPINDLE, 2995/2996
17	4	2505-339	1/2-13 X 1-1/2 CAR BLT GR 5 ZP
18	1	2900-102	HUB SUB-ASSEMBLY
19	1	2550-027	CONE, LM67048
20	1	2570-375	HUB CAP, WILTON #909902
21	1	2520-469	5/8-18 SLOTTED HEX NUT, BLACK
22	1	2531-102	1/8 X 1-1/4 COTTER PIN BLACK
23	4	2520-352	1/2-13 HEX NUT ZP
24	4	2525-352	1/2 MED LOCKWASHER ZP
25	2	2565-162	YETTER DECAL, 1-1/2 X 4-1/2
26	1	2550-777	POLY HELPER SPRING, 6-11/16"
27	1	2987-301	HUB CAP RETAINER

MANUFACTURED 7-2010 TO PRESENT

PARTS IDENTIFICATION

2910-141 7 X 7 MOUNT KIT (SHOWN)
 2910-142 5 X 7 MOUNT KIT
 2910-143 3 X 3 MOUNT KIT



DET	QTY	PART NO.	DESCRIPTION
1	1	2570-626	5/8 X 7 X 9 U-BOLT, ZYD (SHOWN)
	1	2570-776	5/8 X 5 X 9 U-BOLT, ZYD
	1	2570-602	5/8 X 3 X 4-1/2 U-BOLT, ZYD
2	1	2910-339	COULTER WEDGE ZYD, CNH
3	2	2525-451	5/8 MED LOCKWASHER ZP
4	2	2520-452	5/8-11 HEX NUT ZP
5	1	2910-342	COULTER WEDGE ZYD, (SHORT)

1761

NOTES:

NOTES:

NOTES:

Our name Is getting known

Just a few years ago, Yetter products were sold primarily to the Midwest only. Then we embarked on a program of expansion and moved into the East, the South, the West and now north into Canada. We're even getting orders from as far away as Australia and Africa.

So, when you buy Yetter products . . .you're buying a name that's recognized. A name that's known and respected. A name that's become a part of American agriculture and has become synonymous with quality and satisfaction in the field of conservation tillage.

Thank you.

YETTER MANUFACTURING CO.

Colchester, IL 62326-0358 • 309/776-4111

Toll Free 800/447-5777

Fax 309/776-3222

Website: WWW.YETTERCO.COM

E-MAIL: INFO@YETTERCO.COM

2565-744_REV_A • 10/10