



Yetter Farm Equipment was one of the first manufacturers to introduce products for strip-till. Today, the Yetter lineup of strip-till tools puts you in a position to benefit from the success of this proven tillage practice.

Take Advantage of 30+ YEARS of Strip-Till Experience

The **2984 Maverick™ HR Plus®** facilitates precise nutrient placement and produces huge savings in terms of time, water, equipment, and fuel costs. Its attachment options adapt it for spring work. The **2984 Strip Freshener** performs controlled tillage for existing or new strips and is available with optional fertilizer placement equipment.



1993

L128 Fertilizer Unit

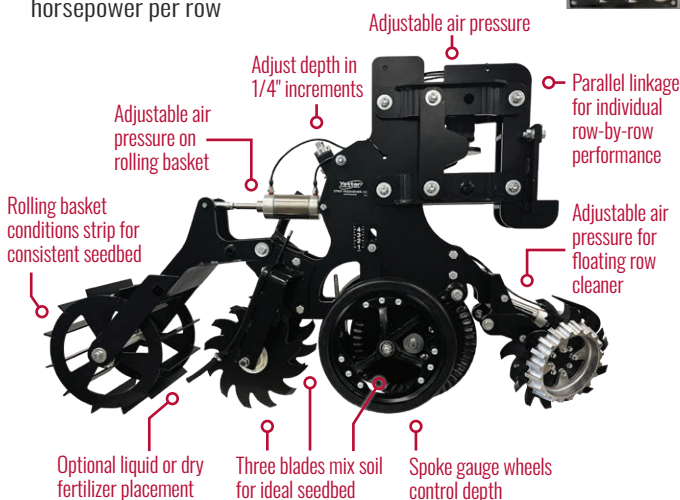
Strip Freshener Cab Control (CC)

TODAY

2984 STRIP FRESHENER CAB CONTROL (CC)

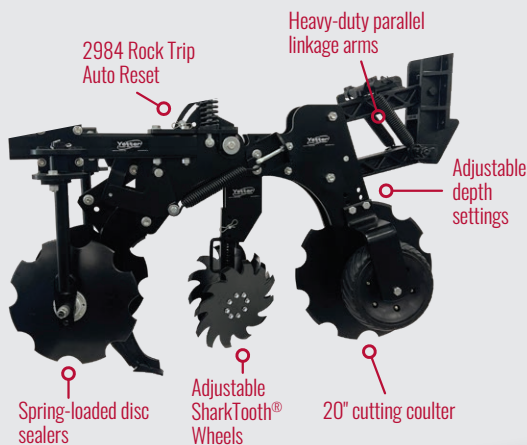
- » Operates at 6 to 10 mph and 1 1/2" to 4" deep, depending on depth setting
- » Requires only 10-12 horsepower per row

CC monitor



2984 MAVERICK™ HR PLUS®

- » Operating depths of 5" to 9"
- » Rock Trip Auto Reset feature eliminates need to leave tractor cab to reset knives or replace shear bolts



NEW! DuraPlacer Toolbar developed with Fast Ag Solutions. Designed to pair with 2984 Strip Freshener CCs.



YETTERCO.COM

800.447.5777

COLCHESTER, IL

SINCE 1930