

# WHITE 6180 FORWARD FOLD PLANTER

Equipped with 3" x 3" Diamond White Fertilizer bar  
8 Row Wide, 12 Row Narrow, and 16 Row Narrow

*Model No.'s to Order for each planter configuration*

		<i>Quantity to order for each planter</i>		
		<b>8 R W</b>	<b>12 R N</b>	<b>16 R N</b>
<b>LIQUID FERT.</b>	2995-017	<b>8</b>	<b>12</b>	<b>16</b>
<b>COULTER FRAME MOUNTED</b>	or 2995-065-L/R <sup>^</sup> and <b>order 2990-159 &amp; 3010-303 &amp; choice of blade</b>	<b>4 and 4</b>	<b>6 and 6</b>	<b>8 and 8</b>
<b>DRY FERT.</b>				
<b>COULTER FRAME MOUNTED</b>	<b>NOT AVAILABLE</b>			
<b>Unit Mounted</b>	2959-003 (2" offset fert. injection) w/ 2967-180B (Residue Manager for 2959-003) Optional or 2962-003A and 2962-004A RUMDDFO w/ 2962-005B (Residue Manager for 2962-003A/-004A) Optional	<b>8</b>	<b>12</b>	<b>16</b>
<b>Liquid Fertilizer Coulters</b>	<b>WHITE SETBACK REQUIRED FOR ROWS BEHIND DRIVESHAFT</b>			
<b>2960 UNIT MOUNTED CONSERVATION COULTERS ONLY</b>	2960-033 Coulters w/ U.N.T. Bracket** or 2960-127 (unit coulters only)** Choice of blade	<b>8</b>	<b>12</b>	<b>16</b>
<b>CLEAN UP CREW ONLY</b>	2940-005B Pneumatic assembly or 2967-013B Short / Narrow UNT or 2967-028A Universal unit mounted residue manager or 2967-029B Short UNT or 2967-048A Narrow Row Unit Mount residue manager or 2967-052A Screw Adjust residue manager or 2967-054A Narrow Row Screw adjust residue manager 2967-007A U.N.T. Residue Manager Kit (2960-033)	<b>8</b>	<b>12</b>	<b>16</b>
<b>COULTER/ RESIDUE MANAGER COMBO</b>	2967-115A (for use with 2960-127 coulters only) 2967-070 (Quick adjust) Optional	<b>8</b>	<b>12</b>	<b>16</b>

\*\* See the price book for blade choices.

& The Clean Up Crew cannot be used with planter Main Frame mounted coulters  
(White's part number for their Frame mounted coulters is 6000139)

NOTE - FERTILIZER COULTER CANNOT BE MOUNTED CLOSER THAN 3" TO THE ROW.

# WHITE 6180 FORWARD FOLD PLANTER

Equipped with 3" x 3" Diamond White Fertilizer bar

8 Row Wide, 12 Row Narrow, and 16 Row Narrow

*Model No.'s to Order for each planter configuration*

*Quantity to order for each planter*

		8 R W	12 R N	16 R N
<b>DOUBLE COULTERS</b>	2995-065 -L <i>order 2990-159 &amp; 3010-303 and choice of blade</i>	8	12	16
<b>2 LIQUID FERT. COULTERS</b>	2995-065-R <i>order 2990-159 &amp; 3011-302 and choice of blade</i>	8	12	16
	2995-065-L/R^ <i>order 2990-159 &amp; 3011-302 and choice of blade</i>	4 and 4	6 and 6	8 and 8
<b>1 LIQUID FERTILIZER AND</b>	2960-033 Coulters w/ U.N.T. Bracket**			
<b>1 COMBO UNIT</b>	or 2960-127 (unit coulters only)** Choice of blade	8	12	16
	2967-007A U.N.T. Residue Manager Kit	8	12	16
	or 2967-115A (for use with 2960-127 coulters) <b>White setback required for rows behind driveshaft</b>			

\*\* See the price book for blade choices.

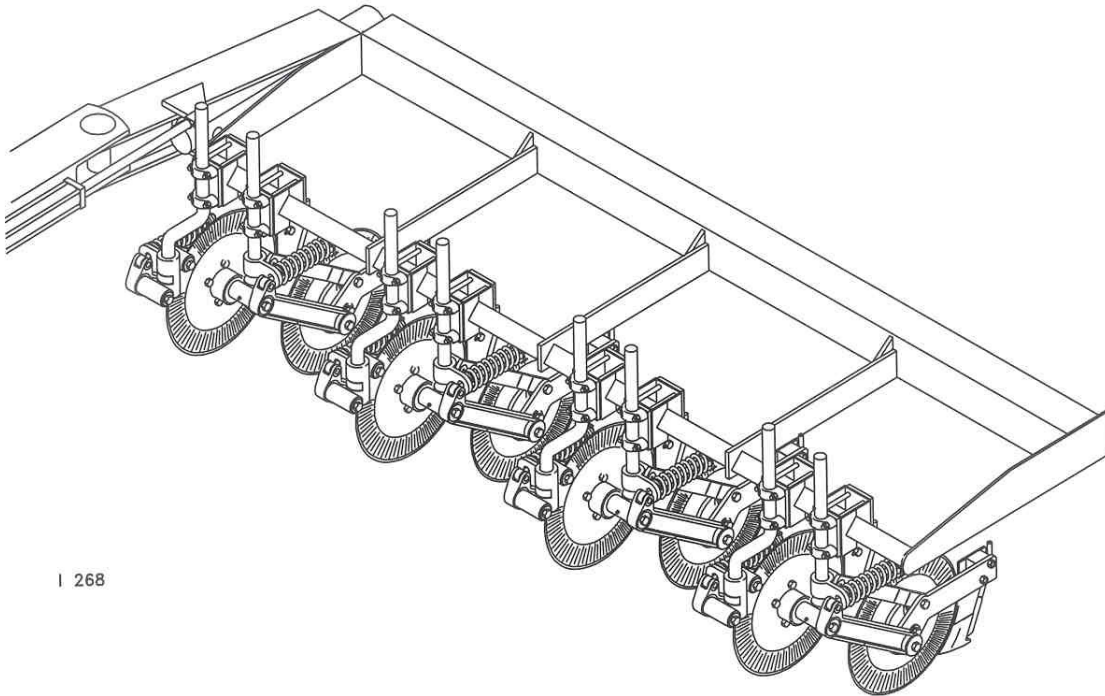
& The Clean Up Crew cannot be used with planter Main Frame mounted coulters.

(White's part number for their Frame mounted coulters is 6000139)

NOTE - FERTILIZER COULTER CANNOT BE MOUNTED CLOSER THAN 3" TO THE ROW.

## WHITE 6180 Forward Fold Planter 8, 12, and 16 Row

**Equipped with:** White 3" x 3" diamond fertilizer bar  
2995-065-L/R (fert. coulters for 3" x 3" diamond bar)  
2990-159 3" clamp kit  
3010-303 22" straight coulters shank  
3011-302 5" offset shank



I 268

Illustration may not accurately depict row spacing.

**Note** - For each row, one coulters requires a straight shank and one requires a 5" offset shank. Both coulters must be mounted a minimum distance of 2"-3" from either side of the row. Each shank mounts on the front of the 3" x 3" diamond bar with the 5" offset towards the front.

**\*Note** - The shanks on the inside rows may need to be shortened to clear the cylinder.

**Note** - For double coulters with other coulters combinations, the same configuration shown would apply.