

CASE/IH 800-900/950-955 PLANTER

Equipped with 2" x 6" fertilizer frame and tanks plus Endwise Transport
8 Row Narrow, 8 Row Wide, and 12 Row Narrow

Model No.'s to Order for each planter configuration

		Quantity to order for each planter		
		8 R N	8 R W	12 R N
UNIT MOUNT FERT COULTERS	2968-030 Fertilizer injection kit	8	8	12
LIQUID FERT. COULTER FRAME MOUNTED	2995-017 order 2990-155 & 3010-303 and choice of blade or 2995-065-L/R^ order 2990-155 3010-303 and choice of blade	8 or 4 and 4	8 or 4 and 4	12 or 6 and 6
DRY FERT. COULTER FRAME MOUNTED	NOT AVAILABLE			
2960 UNIT MOUNTED CONSERVATION COULTERS ONLY	2960-020-MW (unit coulters only with 25 wave blade) Choice of one style	8	8	12
CLEAN UP CREW ONLY	2940-003B Pneumatic assembly or 2967-014B Short / Narrow UNT or 2967-053A Screw Adjust or 2967-097B Short titan residue manager or 2967-106A (13" steel wheel)***&			
COMBO ATTACHMENT	w/ 2967-008ATitan (for use with 2960-020 coulters) Optional	8	8	12
DOUBLE COULTERS	2995-065-L/R (fits 2" x 6" bar) ^ order 2990-155 & 3010-303 (Half) and choice of blade	8	8	12
2 LIQUID FERT. COULTERS	3011-302 (5" offset Shank) (Half) 2920-305 (swivel collar)**** Required	2	2	3
1 LIQUID FERT. AND	2995-065-L/R^ order 2990-155 & 3010-303 and choice of blade 2960-020-MW (unit coulters only with 25 wave blade)	4 and 4	4 and 4	6 and 6
1 COMBO UNIT	w/ 2967-008A Titan (for use with 2960-020 coulters) Optional	8	8	12

** See the price book for choice of blades.

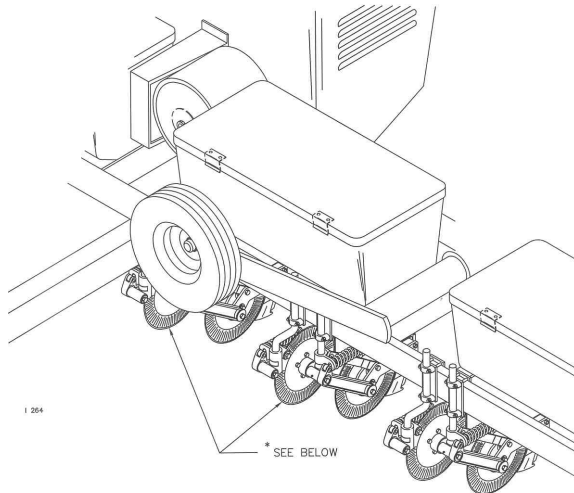
**** The swivel collar is required for the two coulters which must be rotated to clear the transport wheel.

& First year production of 800 planter requires Case/IH unit mount plate or modification of the planter unit.

NOTE - ON PLANTERS EQUIPPED WITH DOUBLE COULTERS - BEFORE TRANSPORTING, 2 COULTERS MUST BE ROTATED TO CLEAR TRANSPORT WHEEL.

CASE/IH 800-900/950-955
Trailing Cyclo Planter
8 and 12 Row

Equipped with: 2"x 6" fert. frame PLUS Endwise Transport
2995-065-L/R fert coulters for 2"x6" fert. frame
2990-155 Clamp kit, 2x6 bar
3010-303 Straight coulters shank
3011-302 5" offset shank
2920-305 (swivel collar)



(partial illustration of 8 row model shown)
Illustration may not accurately depict row spacing

***Note** - Before transporting, two of the coulters must be pivoted to clear the endwise transport wheel

Note - For each row, one coulters requires a straight shank and one requires a 5" offset shank. Both coulters must be mounted a minimum distance of 2"-3" from either side of the row. Each shank mounts on the front of the 2"x 6" fert. frame with the 5" offset towards the front.

Note - For double coulters with other coulters combinations, the same configuration shown would apply.

CASE/IH 800-900/950-955 PLANTER

Equipped with Endwise Transport and no other options
8 Row Wide and 12 Row Narrow

Model No.'s to Order for each planter configuration

		Quantity to order for each planter	
		8 R N	12 R N
UNIT MOUNT FERT COULTER	2968-030 Fertilizer injection kit	8	12
DRY FERT. COULTER FRAME MOUNTED	NOT AVAILABLE		
2960 UNIT MOUNTED CONSERVATION COULTERS ONLY	2960-020-MW (unit coulters only with 25 wave blade)	8	12
CLEAN UP CREW ONLY	2940-003B Pneumatic assembly or 2967-014B Short / Narrow UNT or 2967-053A Screw Adjust residue manager or 2967-097B Short titan residue manager or 2967-106A (13" steel wheel)	8	12
COMBO ATTACHMENT	2967-008A Titan (for use with 2960-020 coulters)	8	12

** See the price book for blade choices.

**** The swivel collar is required for the two coulters which must be rotated to clear the transport wheel.

(see the note below and the illustration on page 10)

& First year production of 800 planter requires Case/IH unit mount plate or modification of planter unit.

NOTE - IF FERTILIZER FRAME OR OPTIONAL FRAME MOUNTED COULTERS ARE USED IN CONJUNCTION AND THEY ARE MOUNTED IN THE CENTER OF THE ROW, FERTILIZER COULTERS CAN ONLY BE MOUNTED 4" OR FARTHER FROM THE ROW.

NOTE - ON PLANTERS EQUIPPED WITH DOUBLE COULTERS - BEFORE TRANSPORTING, 2 COULTERS MUST BE ROTATED TO CLEAR TRANSPORT WHEEL.